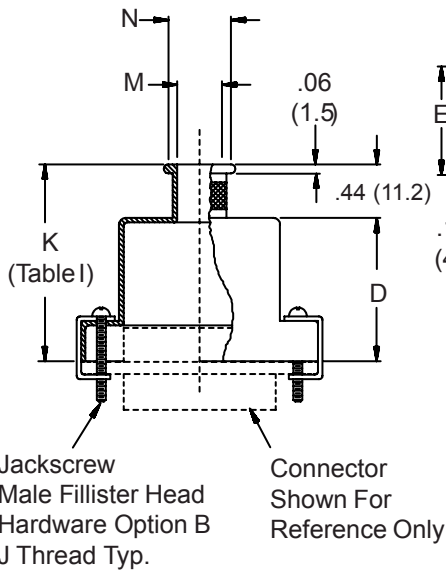
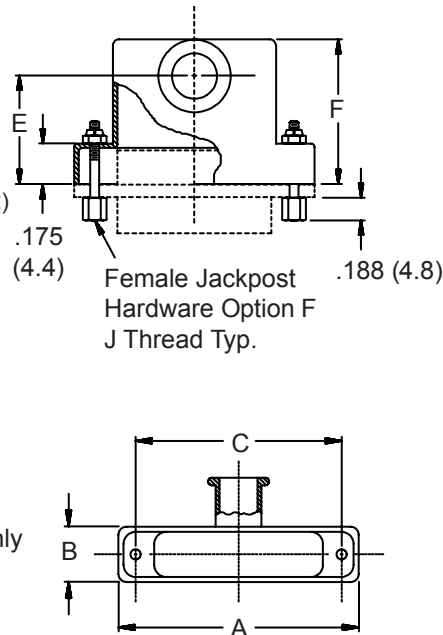


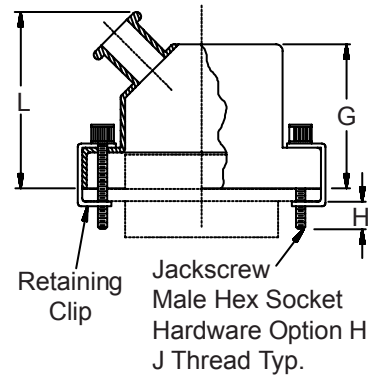
STYLE T - TOP ENTRY



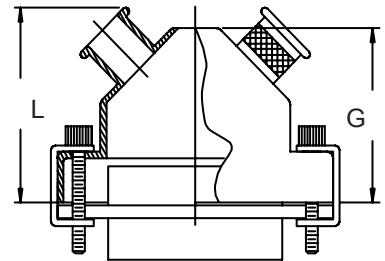
STYLE S - SIDE ENTRY



STYLE E - 45° ENTRY



STYLE D - DUAL 45° ENTRY



Note: It is easy to exceed the maximum allowable wire bundle diameter for the cable entry on these miniaturized backshells. Please see the table on C-3 for assistance, or chose an elliptical backshell entry design instead.

HOW TO ORDER

Series	Cable Entry Style	Basic Part Number	Shell Plating *	Shell Size (Table I)	Hardware Options *	Cable Entry (Table II)	Qwik-Ty Option	Band Option
500	T - Top S - Side E - 45° D - Dual 45°	010	C - Black Anodize E - Chem. Film J - Gold Iridite Over Cadmium Over Electroless Nickel M - Electroless Nickel NF - Cadmium, Olive Drab Over Electroless Nickel Z2 - Gold	09 15 21 25 31 37 51 100	B - (2) male fillister head E - (2) extended jackscrew H - (2) male hex socket F - (2) female jackpost	04 05 06 07 08 09 10 11 12	S (Omit for Standard)	B 600-052 Band Supplied (Omit if Not Required)
Sample Part Number:								
500	T	010	M	21	B	06	S	B

* SEE PAGE C-4 FOR COMPLETE INFORMATION

Metric dimensions (mm) are indicated in parentheses.

500-010 Standard Micro-D EMI/RFI Backshell



MIL-DTL-83513
Micro-D

Series 500-010 EMI Backshells are intended for use on all standard metal shell Micro-D connectors conforming to MIL-DTL-83513. Shield termination is fast and reliable using EMI bands and banding tools, ordered separately.

TABLE I: DIMENSIONS

SHELL SIZE	A	B	C	D	E	F
09	.775 (19.7)	.36 (9.1)	.565 (14.4)	.32 (8.1)	.435 (11.0)	.607 (15.4)
15	.925 (23.5)	.36 (9.1)	.715 (18.2)	.44 (11.2)	.440 (11.2)	.643 (16.3)
21	1.075 (27.3)	.36 (9.1)	.865 (22.0)	.56 (14.2)	.458 (11.6)	.677 (17.2)
25	1.175 (29.8)	.36 (9.1)	.965 (24.5)	.62 (15.7)	.483 (12.3)	.718 (18.2)
31	1.325 (33.7)	.36 (9.1)	1.115 (28.3)	.68 (17.3)	.476 (12.1)	.726 (18.4)
37	1.475 (37.5)	.36 (9.1)	1.265 (32.1)	.72 (18.3)	.478 (12.2)	.744 (18.9)
51	1.425 (36.2)	.40 (10.2)	1.215 (30.9)	.75 (19.1)	.548 (13.9)	.829 (21.1)
100	2.160 (54.9)	.45 (11.4)	1.800 (45.7)	.81 (20.6)	.687 (17.4)	.984 (25.0)

SHELL SIZE	G	H REF	J THREAD	K ±.03 (0.8)	L MAX
09	.650 (16.5)	.154 (3.9)	2-56 UNC-2	.75 (19.1)	1.00 (25.4)
15	.700 (17.8)	.154 (3.9)	2-56 UNC-2	.88 (22.4)	1.03 (26.2)
21	.735 (18.7)	.154 (3.9)	2-56 UNC-2	1.00 (25.4)	1.05 (26.7)
25	.800 (20.3)	.154 (3.9)	2-56 UNC-2	1.06 (26.9)	1.09 (27.7)
31	.860 (21.8)	.154 (3.9)	2-56 UNC-2	1.12 (28.4)	1.13 (28.7)
37	.925 (23.5)	.154 (3.9)	2-56 UNC-2	1.16 (29.5)	1.23 (31.3)
51	.975 (24.8)	.154 (3.9)	2-56 UNC-2	1.19 (30.2)	1.25 (31.8)
100	1.050 (26.7)	.184 (4.7)	4-40 UNC-2	1.25 (31.8)	1.32 (33.5)

TABLE II: CABLE ENTRY

Cable Entry	Shell Size	M Entry Dia	N Dia
04	09 THRU 100	.125 (3.2)	.281 (7.1)
05	09 THRU 100	.156 (4.0)	.312 (7.9)
06	09 THRU 100	.188 (4.8)	.344 (8.7)
07	09 THRU 100	.219 (5.6)	.375 (9.5)
08	09 THRU 100	.250 (6.4)	.406 (10.3)
09	31 THRU 100	.281 (7.1)	.437 (11.1)
10	51 THRU 100	.312 (7.9)	.469 (11.9)
11	100 ONLY	.344 (8.7)	.500 (12.7)
12	100 ONLY	.375 (9.5)	.531 (13.5)

Metric dimensions (mm) are indicated in parentheses.

X-ON Electronics

Largest Supplier of Electrical and Electronic Components

Click to view similar products for [D-Sub Backshells](#) category:

Click to view products by [Phoenix Contact](#) manufacturer:

Other Similar products are found below :

[600X51137X](#) [600X54009X](#) [66241-12A](#) [M85049/6-38N](#) [M85049/86-12N03](#) [M85049/90-13P03](#) [70.350.0636.4](#) [70.350.2435.1](#) [72.350.1035.2](#)
[72.352.2435.1](#) [73.359.4035.3](#) [829472-1](#) [PCS-E20W](#) [970-015-040R011](#) [971-009-030R121](#) [971-009-040R011](#) [971-015-040R011](#) [DPH-B-003](#)
[1437013-9](#) [1484402-8](#) [156-3025-EX](#) [16-500800](#) [165X02659X](#) [165X03399A](#) [165X10259X](#) [165X11359X](#) [165X11759X](#) [165X11889X](#)
[165X11899X](#) [165X13019X](#) [165X13029X](#) [165X13169X](#) [165X13199X](#) [165X13239X](#) [165X13389X](#) [165X13489X](#) [165X14219X](#)
[165X14429X](#) [165X14449X](#) [165X17409X](#) [165X17439X](#) [165X17569X](#) [165X17599X](#) [165X17609X](#) [165X17979X](#) [L171373](#) [971-025-](#)
[030R121](#) [300X10989X](#) [165X02609X](#) [165X02639X](#)