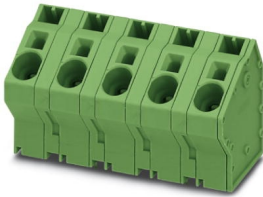


# Printed circuit board terminal - SPTA 16/ 4-15,0-ZB - 1034124

<https://www.phoenixcontact.com/in/products/1034124>

Please be informed that the data shown in this PDF document is generated from our Online Catalog. Please find the complete data in the user documentation. Our General Terms of Use for Downloads are valid.



PCB terminal block, nominal current: 76 A, rated voltage (III/2): 1000 V, nominal cross section: 16 mm<sup>2</sup>, Number of potentials: 4, Number of rows: 1, Number of positions per row: 4, product range: SPTA 16/, pitch: 15 mm, connection method: Push-in spring connection, mounting: Wave soldering, conductor/PCB connection direction: 60 °, color: green, Pin layout: Zigzag pinning W, Solder pin [P]: 4.1 mm, type of packaging: packed in cardboard

## Your advantages

- Time saving push-in connection, tools not required
- Defined contact force ensures that contact remains stable over the long term
- Clamping space opened by means of fixed screwdriver enables convenient conductor connection
- Unrestricted 600-V-UL approval thanks to compact zig-zag pinning
- Angled connection enables multi-row arrangement on the PCB

# Printed circuit board terminal - SPTA 16/ 4-15,0-ZB - 1034124



<https://www.phoenixcontact.com/in/products/1034124>

## Commercial Data

Order Key	1034124
Packing unit	50 pc
Minimum order quantity	50 pc
Sales Key	AAB
GTIN	4055626540160
Weight per Piece (including packing)	44.1 GRM
Weight per Piece (excluding packing)	44.0 GRM
Customs tariff number	85369010

# Printed circuit board terminal - SPTA 16/ 4-15,0-ZB - 1034124

<https://www.phoenixcontact.com/in/products/1034124>

## Technical Data

### Mounting

Mounting type	
Processing notes	
Process	Wave soldering
Specification	
Specification	

### Electrical tests

#### Electrical properties

Rated voltage (III/2)	1000 V
Rated surge voltage (III/2)	8 kV
Pollution degree	2

#### Air clearances and creepage distances |

Specification	IEC 60947-1:2007-06 + A1:2010-12 + A2:2014-09
Insulating material group	I
Comparative tracking index (IEC 60112:2003-01)	CTI 600
Rated insulation voltage (III/3)	1000 V
Rated surge voltage (III/3)	8 kV
minimum clearance value - non-homogenous field (III/3)	8 mm
minimum creepage distance (III/3)	12.5 mm
Rated insulation voltage (III/2)	1000 V
Rated surge voltage (III/2)	8 kV
minimum clearance value - non-homogenous field (III/2)	8 mm
minimum creepage distance (III/2)	8 mm
Rated insulation voltage (II/2)	1000 V
Rated surge voltage (II/2)	6 kV
minimum clearance value - non-homogenous field (II/2)	5.5 mm
minimum creepage distance (II/2)	5.5 mm

#### Short-time withstand current

Specification	IEC 60947-7-4:2013-08
---------------	-----------------------

#### Temperature-rise test

Specification	IEC 60947-7-4:2013-08
Requirement temperature-rise test	The sum of ambient temperature and temperature rise of the PCB terminal block shall not exceed the upper limiting temperature.

### Electrical properties

Maximum load current	76 A
Rated voltage (II/2)	1000 V

# Printed circuit board terminal - SPTA 16/ 4-15,0-ZB - 1034124

<https://www.phoenixcontact.com/in/products/1034124>

Rated voltage (III/2)	1000 V
Rated surge voltage (II/2)	6 kV
Rated surge voltage (III/2)	8 kV
Rated surge voltage (III/3)	8 kV
Nominal voltage $U_N$	1000 V
Nominal current $I_N$	76 A
Nominal current $I_N$	76 A

## Packaging specifications

Type of packaging	packed in cardboard
-------------------	---------------------

## Environmental and real-life conditions

Ambient temperature (operation)	-40 °C ... 100 °C (dependent on the derating curve)
Ambient temperature (storage/transport)	-40 °C ... 70 °C
Ambient temperature (assembly)	-5 °C ... 100 °C

## Glow-wire test

Specification	IEC 60695-2-10:2000-10
Temperature	850 °C
Time of exposure	5 s

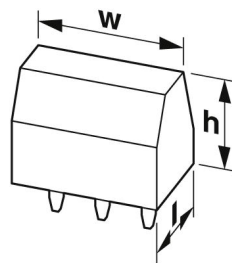
## Aging

Specification	IEC 60947-7-4:2013-08
---------------	-----------------------

## Vibration test

Specification	IEC 60068-2-6:2007-12
Frequency	10 - 150 - 10 Hz
Sweep speed	1 octave/min
Amplitude	0.35 mm (10 - 60.1 Hz)
Sweep speed	5 g (60.1 - 150 Hz)
Test duration per axis	2.5 h

## Dimensions

Dimensional drawing	
Width	56.8 mm
Height	42.23 mm
Installed height	38.13 mm
Length of the solder pin	4.1 mm

# Printed circuit board terminal - SPTA 16/ 4-15,0-ZB - 1034124



<https://www.phoenixcontact.com/in/products/1034124>

Length	32.7 mm
Length of the solder pin	4.1 mm
Pin dimensions	1.2 x 1 mm
Hole diameter	1.7 mm
Pitch	15 mm

## Ambient conditions

Ambient temperature (operation)	-40 °C ... 100 °C (dependent on the derating curve)
Ambient temperature (storage/transport)	-40 °C ... 70 °C
Ambient temperature (assembly)	-5 °C ... 100 °C

## Mechanical tests

### Repeated connection and disconnection

Specification	IEC 60999-1:1999-11
Result	Test passed

### Test for conductor damage and slackening

Specification	IEC 60999-1:1999-11
Result	Test passed

### Pull-out test

Specification	IEC 60999-1:1999-11
Conductor cross section/conductor type/tractive force setpoint/actual value	0.75 mm <sup>2</sup> / solid / > 30 N
Conductor cross section/conductor type/tractive force setpoint/actual value	0.75 mm <sup>2</sup> / flexible / > 30 N
Conductor cross section/conductor type/tractive force setpoint/actual value	10 mm <sup>2</sup> / solid / > 90 N
Conductor cross section/conductor type/tractive force setpoint/actual value	16 mm <sup>2</sup> / flexible / > 100 N

### Dimension check

Specification	IEC 60512-1-2:2002-02
Result	Test passed

## Connection data

### Connection technology

Nominal cross section	16 mm <sup>2</sup>
-----------------------	--------------------

### Conductor connection

Connection method	Push-in spring connection
Conductor cross section solid	0.75 mm <sup>2</sup> ... 10 mm <sup>2</sup> (Conductor connection with open terminal point)
Conductor cross section solid	2.5 mm <sup>2</sup> ... 10 mm <sup>2</sup> (Push-in connection)
Single-conductor/terminal point multi-stranded	0.75 mm <sup>2</sup> ... 16 mm <sup>2</sup>
Conductor cross section flexible	0.75 mm <sup>2</sup> ... 16 mm <sup>2</sup>

# Printed circuit board terminal - SPTA 16/ 4-15,0-ZB - 1034124

<https://www.phoenixcontact.com/in/products/1034124>

Conductor cross section AWG	18 ... 4
Conductor cross section flexible, with ferrule without plastic sleeve	0.75 mm <sup>2</sup> ... 16 mm <sup>2</sup>
Conductor cross section, flexible, with ferrule, with plastic sleeve	0.75 mm <sup>2</sup> ... 10 mm <sup>2</sup>
2 conductors with the same cross section, flexible, with TWIN ferrule with plastic sleeve	0.75 mm <sup>2</sup> ... 4 mm <sup>2</sup>
Stripping length	18 mm

## Material specifications

### Material data - housing

Housing color	green (6021)
Insulating material	PA
Insulating material group	I
CTI according to IEC 60112	600
Flammability rating according to UL 94	V0
Glow wire flammability index GWFI according to EN 60695-2-12	850
Glow wire ignition temperature GWIT according to EN 60695-2-13	775
Temperature for the ball pressure test according to EN 60695-10-2	125 °C

### Material data - contact

Note	WEEE/RoHS-compliant, free of whiskers according to IEC 60068-2-82/JEDEC JESD 201
Contact material	Cu alloy
Surface characteristics	Tin-plated
Metal surface terminal point (top layer)	Tin (10 - 16 µm Sn)
Metal surface soldering area (top layer)	Tin (10 - 16 µm Sn)

## Product properties

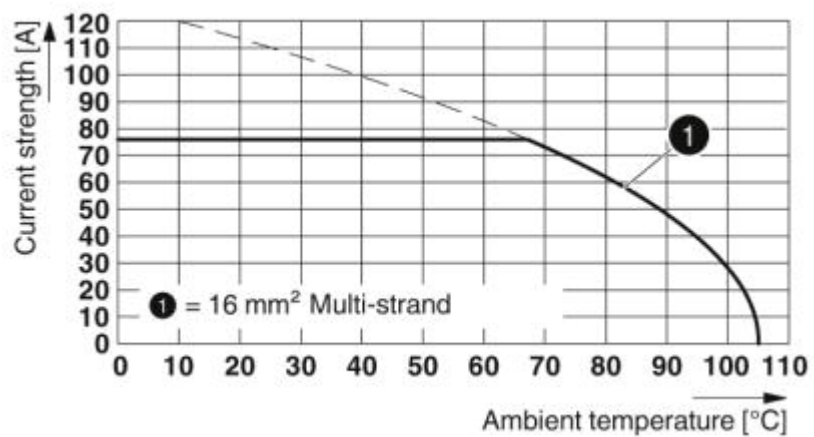
Number of positions	4
Number of connections	4
Number of levels	1
Number of potentials	4
Pin layout	Zigzag pinning W

# Printed circuit board terminal - SPTA 16/ 4-15,0-ZB - 1034124

<https://www.phoenixcontact.com/in/products/1034124>

## Drawings

Diagram




Type: SPTA 16/...-15,0-ZB

# Printed circuit board terminal - SPTA 16/ 4-15,0-ZB - 1034124




<https://www.phoenixcontact.com/in/products/1034124>

## Approvals


IECEE CB Scheme 

Nominal voltage $U_N$	1000 V
Nominal current $I_N$	76 A
AWG/kcmil	0.75-16
Min. cross section	0.75 mm <sup>2</sup>
Max. cross section	16 mm <sup>2</sup>

VDE Zeichengenehmigung 

Nominal voltage $U_N$	1000 V
Nominal current $I_N$	76 A
AWG/kcmil	0.75-16
Min. cross section	0.75 mm <sup>2</sup>
Max. cross section	16 mm <sup>2</sup>

EAC 

cULus Recognized 

Usegroup	B	C	E
Nominal voltage $U_N$	600 V	600 V	1000 V
Nominal current $I_N$	51 A	51 A	51 A
AWG/kcmil	0.75-16	0.75-16	0.75-16
Min. cross section	18 mm <sup>2</sup>	18 mm <sup>2</sup>	18 mm <sup>2</sup>
Max. cross section	4 mm <sup>2</sup>	4 mm <sup>2</sup>	4 mm <sup>2</sup>



# Printed circuit board terminal - SPTA 16/ 4-15,0-ZB - 1034124

<https://www.phoenixcontact.com/in/products/1034124>

## Accessories

### Screwdriver tools

Screwdriver tools - SZF 2-0,8X4,0 - 1204520



Actuation tool, for ST terminal blocks, also suitable for use as a bladed screwdriver, size: 0.8 x 4.0 x 100 mm, 2-component grip, with non-slip grip

---

### Crimping tool

Crimping tool - CRIMPFOX 16 S - 1207983



Crimping pliers for ferrules up to 16 mm<sup>2</sup>

---

### Crimping tool

Crimping tool - CRIMPFOX 6 - 1212034

# Printed circuit board terminal - SPTA 16/ 4-15,0-ZB - 1034124

<https://www.phoenixcontact.com/in/products/1034124>



Crimping pliers, for ferrules without insulating collar according to DIN 46228 Part 1 and ferrules with insulating collar according to DIN 46228 Part 4, 0.25 mm<sup>2</sup> ... 6.0 mm<sup>2</sup>, lateral entry, trapezoidal crimp

---

## Bridge

Bridge - FBSK 2-15/ZFKDS 10 - 1986699



Fixed bridge, fully insulated, pitch: 15 mm, no. of positions: 2

---

## Bridge

Bridge - FBSK 3-15/ZFKDS 10 - 1986686



Fixed bridge, fully insulated, pitch: 15 mm, no. of positions: 3

---

## Bridge

# Printed circuit board terminal - SPTA 16/ 4-15,0-ZB - 1034124

<https://www.phoenixcontact.com/in/products/1034124>

Bridge - FBSK 4-15/ZFKDS 10 - 1986673



Fixed bridge, fully insulated, pitch: 15 mm, no. of positions: 4

---

Phoenix Contact 2020 © - all rights reserved  
<https://www.phoenixcontact.com>

PHOENIX CONTACT (I) Pvt. Ltd.  
A-58/2, Okhla Industrial Area, Phase - II, New Delhi-110 020

+91.11.30262800  
[info@phoenixcontact.co.in](mailto:info@phoenixcontact.co.in)

## X-ON Electronics

Largest Supplier of Electrical and Electronic Components

*Click to view similar products for [Fixed Terminal Blocks](#) category:*

*Click to view products by [Phoenix Contact](#) manufacturer:*

Other Similar products are found below :

[MBE-1512](#) [MBE-154](#) [MBE-156](#) [MBES-153](#) [MBES-156](#) [MH-2512](#) [MHE-132](#) [MHE-163](#) [MI-254 \(35\)](#) [MI-272](#) [880507](#) [MPT-275](#)  
[15602-04-08-21](#) [BA311TU](#) [BA411SU](#) [MV-152](#) [MV-252-D](#) [MV-253/NCNOC](#) [MV-254-D](#) [MV-255](#) [MV-462](#) [MV-493](#) [MVE-252](#) [MVE-253](#)  
[MVE-273](#) [MVEB-153](#) [1700096](#) [1705142](#) [1712417](#) [1713020](#) [1713088](#) [1745195](#) [1760594](#) [1776118-2](#) [1790852](#) [1-796689-8](#) [1-796692-6](#)  
[1800001](#) [1800114](#) [1995279](#) [20020314-C121B01LF](#) [CB2-12](#) [KP03215000J0G](#) [KP04215000J0G](#) [S451](#) [282802-2](#) [29.007](#) [29.116](#) [30.103](#)  
[30.106](#)