

# Panel feed-through - IPD WD 3P2,5 M25 GY - 1047322

Please be informed that the data shown in this PDF Document is generated from our Online Catalog. Please find the complete data in the user's documentation. Our General Terms of Use for Downloads are valid (<http://phoenixcontact.com/download>)




Panel feed-through, Push-in connection, number of positions: 2+PE, 0.5 mm<sup>2</sup> ... 2.5 mm<sup>2</sup>, 690 V, 20 A, light gray, cable diameter range: 6 mm ... 9 mm and 8 mm ... 13 mm, Push-in connection

## Your advantages

- Convenient: quick and easy assembly without special tools
- Efficient - by using panel feed-throughs, devices no longer need to be opened in order to connect cables

## Key Commercial Data

Packing unit	1 pc
GTIN	 4 055626 647579
GTIN	4055626647579

## Technical data

### General

Color	light gray
Connection method	Push-in connection
	Push-in connection
Number of positions	3
Note number of positions	2+PE
Conductor cross section flexible min.	0.5 mm <sup>2</sup>
Conductor cross section flexible max.	2.5 mm <sup>2</sup>
Conductor cross section solid min.	0.5 mm <sup>2</sup>
Conductor cross section solid max.	2.5 mm <sup>2</sup>
Conductor cross section AWG min.	20
Conductor cross section AWG max.	14

### Cabel

External cable diameter	6 mm ... 9 mm
	8 mm ... 13 mm

# Panel feed-through - IPD WD 3P2,5 M25 GY - 1047322

## Technical data

### Cabel

Position marking	L, N, PE
------------------	----------

### Ambient conditions

Degree of protection	IP66
	IP68 (2 m / 24 h)
	IP69K
Ambient temperature (operation)	-40 °C ... 100 °C
Ambient temperature (storage/transport)	-40 °C ... 100 °C
Temperature when conductor connected	-5 °C ... 50 °C

### Electrical characteristics

Nominal current $I_N$	20 A
Nominal voltage $U_N$	690 V AC
	690 V DC
Rated current	20 A
Rated voltage (III/3)	690 V
Rated surge voltage (III/3)	6 kV

### Mechanical characteristics

Frequency of connections	max. 10
Insertion/withdrawal cycles	10
Category of shock impact	IK07

### Material data

Contact material	Cu
Overvoltage category	III
Degree of pollution	3

### Standards and Regulations

Category of shock impact	IK07
Halogen-free	yes

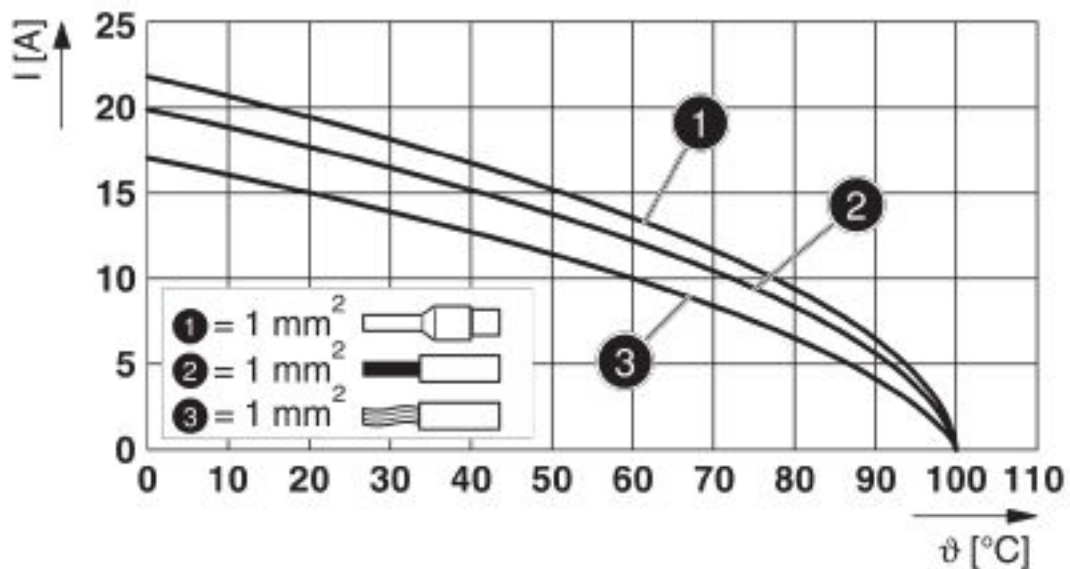
### Environmental Product Compliance

China RoHS	Environmentally Friendly Use Period = 50 years
	For details about hazardous substances go to tab "Downloads", Category "Manufacturer's declaration"

## Drawings

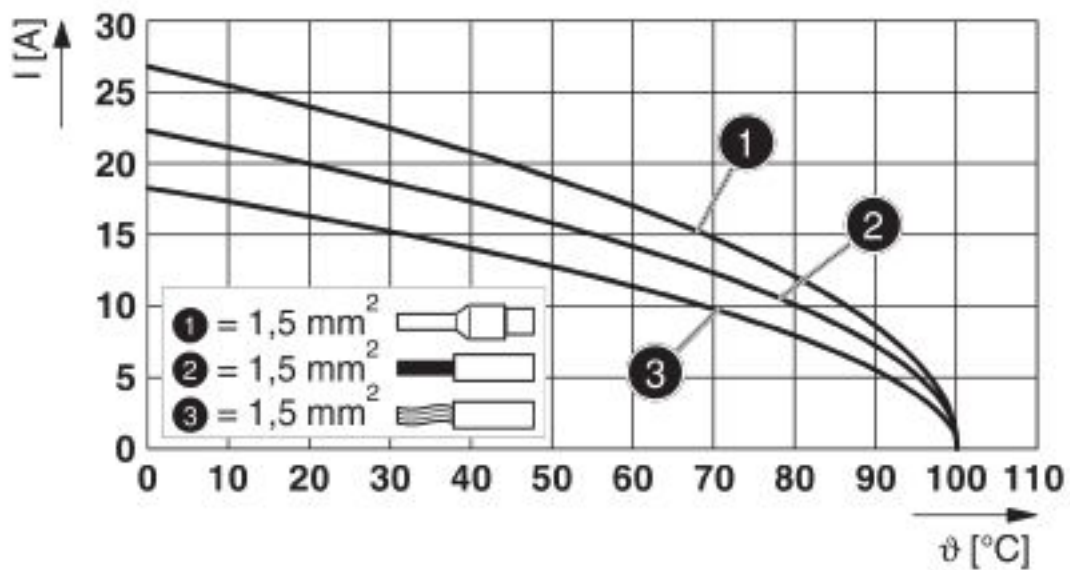
# Panel feed-through - IPD WD 3P2,5 M25 GY - 1047322

Diagram



Derating diagram for 1.0 mm²

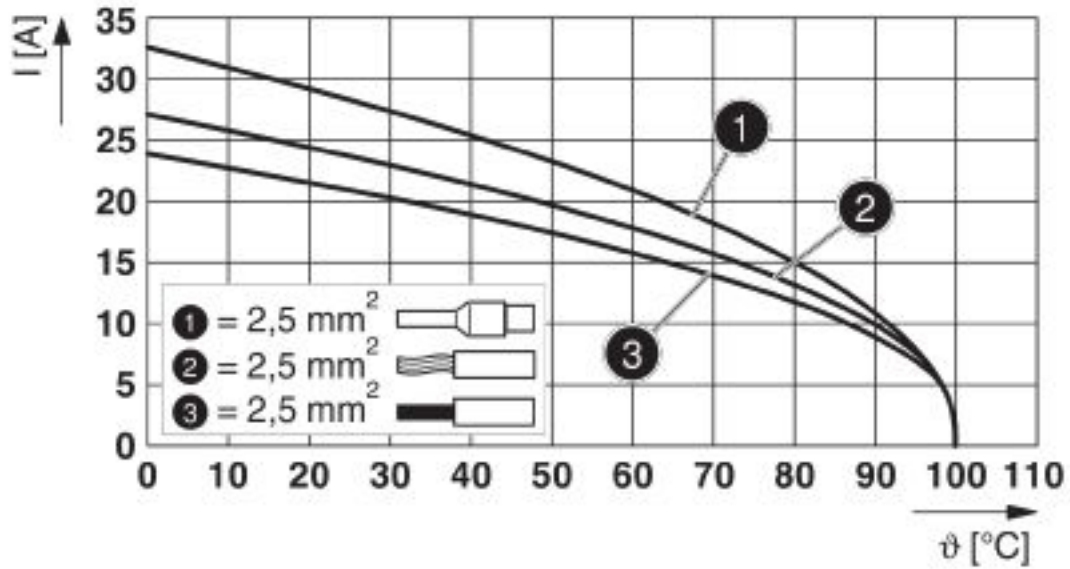
Diagram



Derating diagram for 1.5 mm²

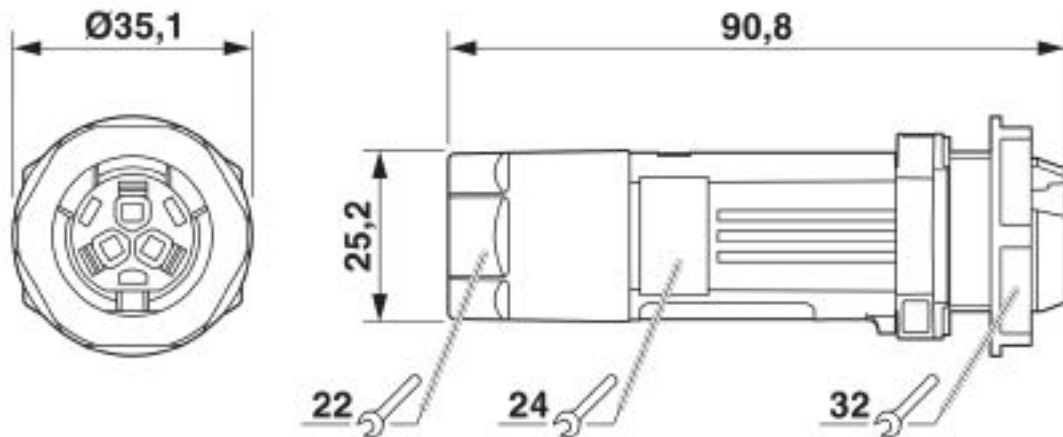
# Panel feed-through - IPD WD 3P2,5 M25 GY - 1047322

Diagram



Derating diagram for 2.5 mm²

Dimensional drawing



## Classifications

eCl@ss

eCl@ss 10.0.1	27440602
eCl@ss 7.0	27440602
eCl@ss 8.0	27440602
eCl@ss 9.0	27440602

# Panel feed-through - IPD WD 3P2,5 M25 GY - 1047322

## Classifications

### ETIM

ETIM 5.0	EC002566
ETIM 6.0	EC002566
ETIM 7.0	EC002566

## Approvals


### Approvals

#### Approvals

VDE Zeichengenehmigung

#### Ex Approvals

## Approval details

VDE Zeichengenehmigung		<a href="http://www2.vde.com/de/Institut/Online-Service/VDE-gepruefteProdukte/Seiten/Online-Suche.aspx">http://www2.vde.com/de/Institut/Online-Service/VDE-gepruefteProdukte/Seiten/Online-Suche.aspx</a>	40049992
Nominal voltage UN	690 V		
Nominal current IN	20 A		
mm <sup>2</sup> /AWG/kcmil	2.5		

Phoenix Contact 2020 © - all rights reserved  
<http://www.phoenixcontact.com>

PHOENIX CONTACT GmbH & Co. KG  
Flachsmarktstr. 8  
32825 Blomberg  
Germany  
Tel. +49 5235 300  
Fax +49 5235 3 41200  
<http://www.phoenixcontact.com>

## X-ON Electronics

Largest Supplier of Electrical and Electronic Components

*Click to view similar products for [Circular Metric Connectors](#) category:*

*Click to view products by [Phoenix Contact](#) manufacturer:*

Other Similar products are found below :

[600X518037X](#) [6STD15PCR99B70A](#) [8R4000A16M020](#) [8R5000A16M005](#) [1200910002](#) [1203580030](#) [1200910008](#) [1200910011](#) [1300140094](#)  
[130203-0054](#) [1300140026](#) [1300150099](#) [RF-12S1N8A90DU](#) [1-3637-600-5205](#) [1612618](#) [21036836414](#) [8R4006A16M010](#) [1604232](#)  
[1R3006A20M005](#) [RF-12P1N8A90DU](#) [41-40011](#) [42-00006](#) [42-01015](#) [4-22279-4](#) [4-22281-1](#) [4-22284-9](#) [43-00113](#) [43-01088](#) [43-01203](#) [41-](#)  
[40013](#) [42-00008](#) [43-00343](#) [43-01026](#) [43-01162](#) [43-01173](#) [43-10000](#) [XS3P-M421-2](#) [600X518050X](#) [SACC-DSI-FS-5P-PG9-L180 SC](#)  
[8R5006A16M020](#) [8R5006A16M005](#) [8R4000A16M010](#) [6-22279-3](#) [1605332](#) [N03FA03144](#) [1300140077](#) [43-16213](#) [43-01338](#) [XS2RD4265](#)  
[XS2R-D426-1](#)