

Front plate - ECS-P-122X169-L-UV-1M12 GY - 1050385

Please be informed that the data shown in this PDF Document is generated from our Online Catalog. Please find the complete data in the user's documentation. Our General Terms of Use for Downloads are valid (<http://phoenixcontact.com/download>)


Snap-in locking one female M12 faceplate of the ECS Family. IP66/67/69 rated when mated with associated enclosure. Color: Grey (7042), Width: 196 mm, Height: 34 mm, Depth: 62 mm



Your advantages

- Part of the EnviroCase System
- Suitable for outdoor/indoor applications
- IP66/IP67 rated with faceplate secured to the base
- Toolless assembly
- Common M12 connector interface

Key Commercial Data

Packing unit	5 pc
Minimum order quantity	5 pc
GTIN	 4 055626 666921
GTIN	4055626666921

Technical data

Item properties

Type	ECS-P-122X169-L-UV-1M12 GY
Order No.	1050385
Housing type	outdoor housings
Type	Snap-in locking
Connection	1x M12 nut
Impact strength	IK08
Mounting type	Mechanical latch to base
Type of locking	Snap-in locking

Measurements

Width [w]	196 mm
-------------	--------

Front plate - ECS-P-122X169-L-UV-1M12 GY - 1050385

Technical data

Measurements

Height [h]	34 mm
Depth [d]	62 mm

Material specifications

Color (RAL)	gray (7042)
Flammability rating according to UL 94	V0
Housing material	PC (polycarbonate)

Ambient conditions

Ambient temperature (operation)	-40 °C ... 100 °C
---------------------------------	-------------------

PCB data

Number of PCB holders	1
-----------------------	---

Packaging information

Pieces per package	5
Denomination packing units	Pcs.

Standards and regulations

Flammability rating according to UL 94	V0
--	----

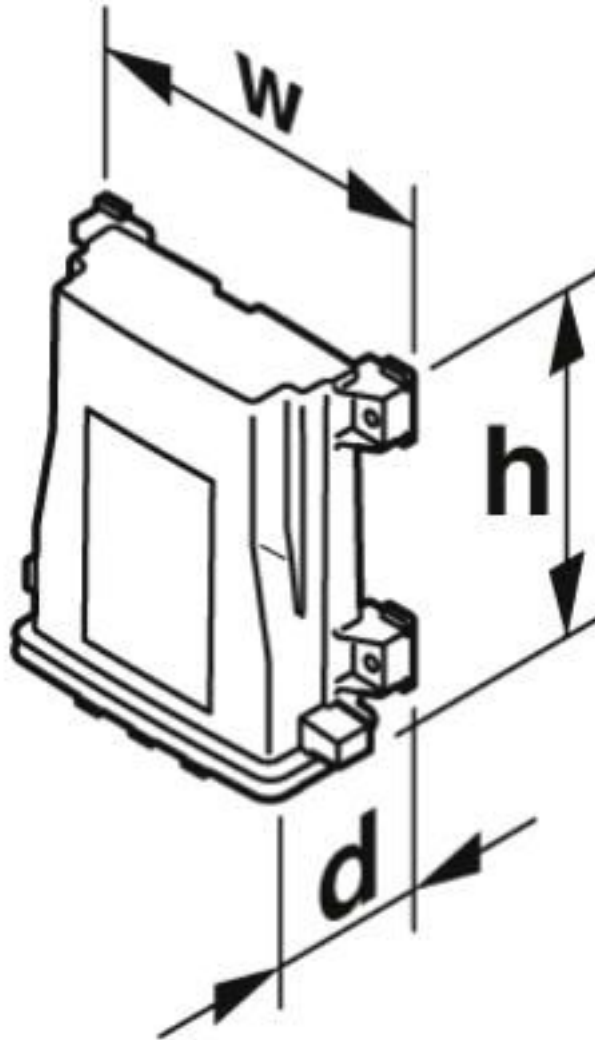
Environmental Product Compliance

REACH SVHC	Lead 7439-92-1
China RoHS	Environmentally Friendly Use Period = 50 years
	For details about hazardous substances go to tab "Downloads", Category "Manufacturer's declaration"

Drawings

Front plate - ECS-P-122X169-L-UV-1M12 GY - 1050385

Dimensional drawing



Classifications

eCl@ss

eCl@ss 10.0.1	27182702
eCl@ss 4.0	27180401
eCl@ss 4.1	27180401
eCl@ss 5.0	27180505
eCl@ss 5.1	27180505
eCl@ss 6.0	27180800
eCl@ss 7.0	27182702
eCl@ss 8.0	27182702
eCl@ss 9.0	27182702

Front plate - ECS-P-122X169-L-UV-1M12 GY - 1050385

Classifications

ETIM

ETIM 3.0	EC001031
ETIM 4.0	EC001031
ETIM 5.0	EC000058
ETIM 6.0	EC001031
ETIM 7.0	EC001031

UNSPSC

UNSPSC 6.01	31261501
UNSPSC 7.0901	31261501
UNSPSC 11	31261501
UNSPSC 12.01	31261501
UNSPSC 13.2	31261501
UNSPSC 18.0	31261501
UNSPSC 19.0	31261501
UNSPSC 20.0	31261501
UNSPSC 21.0	31261501

Accessories

Accessories

Contact insert

Flush-type connector - SACC-CI-M12FS-4CON-L 90 SH SCO - 1432444



Sensor/actuator flush-type connector, socket, 4-pos., A-coded, shielded, with angled solder connection, only contact insert

Flush-type connector - SACC-CI-M12FS-4CON-L90 SCO - 1436628



Sensor/actuator flush-type connector, socket, 4-pos., A-coded, with angled solder connection, only contact insert

Front plate - ECS-P-122X169-L-UV-1M12 GY - 1050385

Accessories

Flush-type connector - SACC-CI-M12FSD-4CON-L90 SCO - 1432457



Sensor/actuator flush-type connector, socket, 4-pos., D-coded, shielded, with angled solder connection, only contact insert

Flush-type connector - SACC-CI-FS-5CON-L 90 SH SCO - 1432431



Sensor/actuator flush-type connector, socket, 5-pos., A-coded, shielded, with angled solder connection, only contact insert

Flush-type connector - SACC-CI-M12FS-5CON-L90 SCO - 1436644



Sensor/actuator flush-type connector, socket, 5-pos., A-coded, with angled solder connection, only contact insert

Flush-type connector - SACC-CI-M12FS-8CON-L90 SH SCO - 1437009



Sensor/actuator flush-type connector, socket, 8-pos., A-coded, shielded, with angled solder connection, only contact insert

Flush-type connector - SACC-CI-M12FS-8CON-L90 SCO - 1436990



Sensor/actuator flush-type connector, socket, 8-pos., A-coded, with angled solder connection, only contact insert

Front plate - ECS-P-122X169-L-UV-1M12 GY - 1050385

Accessories

Flush-type connector - SACC-CI-M12FS-12CON-L90 SH - 1424199



Sensor/actuator flush-type socket, 12-pos. with shroud, A-coded, with angled solder connection, contact insert only

Flush-type connector - SACC-CI-M12FS-12CON-L90 - 1424195



Sensor/actuator flush-type socket, 12-pos. without shroud, A-coded, with angled solder connection, contact insert only

Flush-type connector - SACC-CI-M12FS-17CON-L90 SH - 1424201



Sensor/actuator flush-type socket, 17-pos. with shroud, A-coded, with angled solder connection, contact insert only

Flush-type connector - SACC-CI-M12FS-17CON-L90 - 1424197



Sensor/actuator flush-type socket, 17-pos. without shroud, A-coded, with angled solder connection, contact insert only

Female insert

Flush-type socket - SACC-CI-M12FSY-8CON-L90 - 1424193



Hybrid contact carrier, Ethernet, 8-pos., rear/screw mounting, with angled solder connection

Front plate - ECS-P-122X169-L-UV-1M12 GY - 1050385

Accessories

Flush-type connector - SACC-CI-M12FSX-8CON-L90 - 1424180



CAT6_A contact carrier, Ethernet, 8-pos., rear mounting, with angled solder connection

Plug for cable screw gland

Screw plug - PROT-M12 - 1680539



An M12 screw plug for the unoccupied M12 sockets of the sensor/actuator cable, boxes and flush-type connectors

Screw plug - PROT-M12 SH - 1503302



An M12 screw plug for the unoccupied M12 sockets of the shielded sensor/actuator cable, boxes and flush-type connectors

Additional products

Electronic housing - ECS-B-122X169-L-UV-V GY - 1050206



Snap-in locking vented enclosure of the ECS Family. IP66/67/69 rated when mated with associated faceplate. Color: Grey (7042), Width: 170 mm, Height: 176 mm, Depth: 64 mm

Electronic housing - ECS-B-122X109-S-UV1-NV - 1054711



Screw locking non-vented enclosure of the ECS family. IP66/67/69 rated when mated with associated faceplate. Color: Black (9005), Width: 164 mm, Height: 116 mm, Depth: 64 mm

Front plate - ECS-P-122X169-L-UV-1M12 GY - 1050385

Accessories

Electronic housing - ECS-B-122X109-L-UV-V GY - 1054702



Snap-in locking vented enclosure of the ECS Family. IP66/67/69 rated when mated with associated faceplate. Color: Grey (7042), Width: 172 mm, Height: 116 mm, Depth: 64 mm

Electronic housing - ECS-B-122X109-L-UV-NV GY - 1054705



Snap-in locking non-vented enclosure of the ECS family. IP66/67/69 rated when mated with associated faceplate. Color: Grey (7042), Width: 172 mm, Height: 116 mm, Depth: 64 mm

Phoenix Contact 2020 © - all rights reserved
<http://www.phoenixcontact.com>

PHOENIX CONTACT GmbH & Co. KG
Flachsmarktstr. 8
32825 Blomberg
Germany
Tel. +49 5235 300
Fax +49 5235 3 41200
<http://www.phoenixcontact.com>

X-ON Electronics

Largest Supplier of Electrical and Electronic Components

Click to view similar products for [Enclosures, Boxes & Cases](#) *category:*

Click to view products by [Phoenix Contact](#) *manufacturer:*

Other Similar products are found below :

[585-R-WH-PK](#) [M-10-PLATED](#) [60221-01](#) [60566-01-000](#) [HPL-9VB BATT DOOR](#) [M18-PLTD](#) [M-21-PLATED](#) [63310-01-000](#) [6711GSKT](#)
[71884-29-028](#) [LH45-100 Black](#) [72868-510-000](#) [CNS-0000 Black](#) [72883-510-000](#) [CNS-0101 Black](#) [72906-510-000](#) [CNS-0407 Black](#) [73092-](#)
[510-000](#) [CNM-0101 Black](#) [73105-510-000](#) [CNL-0101 Black](#) [73108-510-000](#) [CNL-0303 Black](#) [73395-510-039](#) [CNS-0006 Bone](#) [74257-510-000](#)
[CNL-0004](#) [MDC-1183-PLAIN-ALUM](#) [MDC-1183-PTD](#) [MDC-13104-PTD](#) [MDC-321-PTD](#) [MDC-973-PTD](#) [76](#) [77153-01-028](#) [FLX6030](#)
[83535-01-508](#) [90026-501-000](#) [PS36-200](#) [116-508](#) [120-407](#) [120-910](#) [127-908](#) [130-008](#) [1301170079](#) [1322GSKTEP](#) [1325GSKT3](#) [1434-1210](#)
[EAS-500 \(BLACK ANO\)](#) [1804RP-RB-PK](#) [190-005](#) [2202307](#) [KAB3321 BLACK](#) [KAB3421](#) [2697466](#) [S52213](#) [2901123](#) [2901699](#) [A0645271](#)
[A20P20](#) [2106-IR](#) [PERF-850-PLN](#)