

Connector - HC-M-08-EMC-DSUB-M - 1066082

Please be informed that the data shown in this PDF Document is generated from our Online Catalog. Please find the complete data in the user's documentation. Our General Terms of Use for Downloads are valid (<http://phoenixcontact.com/download>)



Connector, number of positions: 8, power contacts: 0, control contacts: 8, Pin, 50 V, 5 A, 0.09 mm² ... 0.52 mm², external cable diameter: 3 mm ... 9.5 mm



Key Commercial Data

Packing unit	1 pc
GTIN	
GTIN	4055626728889

Technical data

General

Note	Order crimp contacts CUC-DSC-C1BAU-S/DSC... separately
	The potential of the EMC connector housing is isolated from the potential of the heavy connector.
	Clamps for the clamping range of 3 mm - 6 mm and 6 mm - 9.5 mm
	Can be used in Order No.: 1417374 HC-M-02-EMC-M
Degree of pollution	3
Overvoltage category	III
Number of positions	8
No. of power contacts	0
No. of control contacts	8
Insertion/withdrawal cycles	≥ 500
Contact numbering	1 - 8
Conductor cross section	0.09 mm ² ... 0.52 mm ²
Connection cross section AWG	28 ... 20
Minimum external conductor diameter	3 mm
Maximum external conductor diameter	9.5 mm
Connection	The round contact carrier can be separated in the middle for the purpose of assembling/disassembling contacts. Disassemble the connector from

Connector - HC-M-08-EMC-DSUB-M - 1066082

Technical data

General

	the plastic module using the tool, order no.: 1678635 HC-M-EMV-KON-EWZ
--	--

Ambient conditions

Ambient temperature (operation)	-40 °C ... 85 °C
---------------------------------	------------------

Material data

Contact material	Copper alloy
Contact surface material	AU
Contact carrier material	PC

Electrical characteristics

Rated voltage (III/3)	50 V
Rated surge voltage	0.8 kV
Rated current	5 A

Standards and Regulations

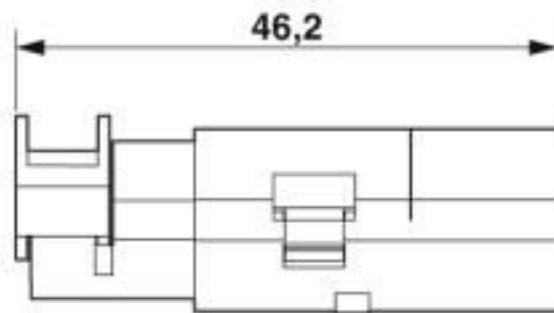
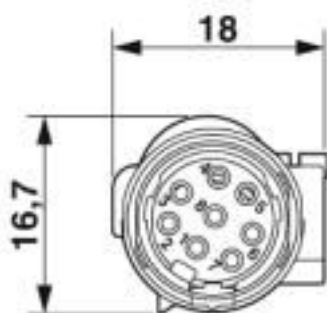
Flammability rating according to UL 94	V0
--	----

Environmental Product Compliance

REACH SVHC	Lead 7439-92-1
China RoHS	Environmentally Friendly Use Period = 50 years
	For details about hazardous substances go to tab "Downloads", Category "Manufacturer's declaration"

Drawings

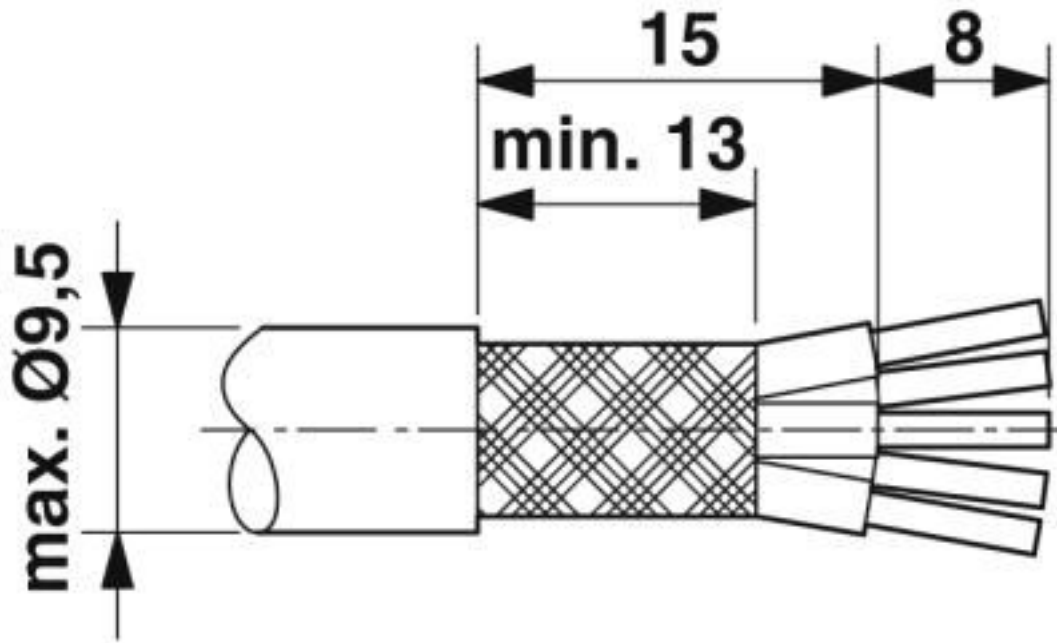
Dimensional drawing



Male insert

Connector - HC-M-08-EMC-DSUB-M - 1066082

Dimensional drawing



Stripping specifications

Classifications

eCl@ss

eCl@ss 10.0.1	27440290
eCl@ss 9.0	27440290

ETIM

ETIM 6.0	EC002908
ETIM 7.0	EC002908

Approvals

Approvals

Approvals

EAC

Ex Approvals

Approval details

Connector - HC-M-08-EMC-DSUB-M - 1066082

Approvals

EAC



RU C-
DE.BL08.B.00511

Accessories

Accessories

Assembly tool

Contact removal tool - HC-M-EMV-KON-EWZ - 1678635



Contact removal tool for HC-M-EMV contact carriers

Crimp contact

D-SUB crimp contact - CUC-DSC-C1BAU-S/DSC28 - 1418784



D-SUB crimp contact, connection method: Crimp connection, connection cross section: AWG 28- 26

D-SUB crimp contact - CUC-DSC-C1BAU-S/DSC24 - 1418786



D-SUB crimp contact, connection method: Crimp connection, connection cross section: AWG 24- 20

Crimping tool

Crimping pliers - CRIMPFOX-TC MP - 1212510



Crimping pliers, for turned contacts, universal cross section setting, up to a maximum of 2.5 mm², digital display with 0.01 mm increments, pressure lock can be unlocked, including positioning tool

EMC insert, modular

Connector - HC-M-08-EMC-DSUB-M - 1066082

Accessories

Contact insert module - HC-M-02-EMC-M - 1417374



Contact insert module, number of positions: 2, Pin, Crimp connection, 50 V, 10 A, 0.14 mm² ... 2.5 mm², application: Data/signal, for using two HC-M-EMV-ST/3-9,5 EMC connectors (pin version, each 4-pos.)

Additional products

Connector - HC-M-08-EMC-DSUB-F - 1066080



Connector, number of positions: 8, power contacts: 0, control contacts: 8, Socket, 50 V, 5 A, 0.09 mm² ... 0.52 mm², external cable diameter: 3 mm ... 9.5 mm

Phoenix Contact 2020 © - all rights reserved
<http://www.phoenixcontact.com>

PHOENIX CONTACT GmbH & Co. KG
Flachsmarktstr. 8
32825 Blomberg
Germany
Tel. +49 5235 300
Fax +49 5235 3 41200
<http://www.phoenixcontact.com>

X-ON Electronics

Largest Supplier of Electrical and Electronic Components

Click to view similar products for [Circular Metric Connectors](#) category:

Click to view products by [Phoenix Contact](#) manufacturer:

Other Similar products are found below :

[600X518037X](#) [6STD15PCR99B70A](#) [8R4000A16M020](#) [8R5000A16M005](#) [1200910002](#) [1203580030](#) [1200910008](#) [1200910011](#) [1300140094](#)
[130203-0054](#) [1300140026](#) [1300150099](#) [RF-12S1N8A90DU](#) [1612618](#) [21036836414](#) [8R4006A16M010](#) [1604232](#) [1R3006A20M005](#) [RF-](#)
[12P1N8A80DU](#) [RF-12P1N8A90DU](#) [41-40011](#) [42-00006](#) [42-01015](#) [4-22279-4](#) [4-22281-1](#) [4-22284-9](#) [43-00113](#) [43-01088](#) [43-01203](#) [41-](#)
[40013](#) [42-00008](#) [43-00343](#) [43-01026](#) [43-01032](#) [43-01162](#) [43-01173](#) [43-10000](#) [XS3P-M421-2](#) [600X518050X](#) [SACC-DSI-FS-5P-PG9-L180](#)
[SC](#) [8R5006A16M020](#) [8R5006A16M005](#) [8R4000A16M010](#) [6-22279-3](#) [1605332](#) [N03FA03144](#) [1300140077](#) [43-16213](#) [43-01338](#)
[XS2RD4265](#)