

Contact insert - PRC 3-HEAD-FS6-1 - 1070198

Please be informed that the data shown in this PDF Document is generated from our Online Catalog. Please find the complete data in the user's documentation. Our General Terms of Use for Downloads are valid (<http://phoenixcontact.com/download>)




Circular connectors (cable-side), Range of articles: PRC, Contact insert, type: Release with tool or by hand (see accessories), housing material: PPE, color: black, number of positions: 3, min. conductor cross section: 1.5 mm², max. conductor cross section: 6 mm², nom. voltage: 690 V AC, rated current: 35 A, Connection method: Screw connection, Type of contact: Socket. Contact insert without connector housing. Please order the appropriate connector housings according to the accessories list.

Your advantages

- ✔ Universal accommodation of existing connector heads with screw connection technology
- ✔ Modular system for optimized storage
- ✔ Locking mechanism can be unlocked manually or using a tool
- ✔ Ideal for indoor and outdoor use, thanks to the use of weatherproof materials
- ✔ Versatile interfaces with straight and angled connector housings
- ✔ Universal accommodation of existing connector heads with screw connection technology
- ✔ Modular system for optimized storage
- ✔ Locking mechanism can be unlocked manually or using a tool
- ✔ Ideal for indoor and outdoor use due to weatherproof materials



Key Commercial Data

| | |
|--------------|---|
| Packing unit | 1 pc |
| GTIN |  4 055626 749112 |
| GTIN | 4055626749112 |

Technical data

General data

| | |
|-----------------------------|-----------------|
| Number of positions | 3 |
| Color | black |
| Locking type | Snap-in locking |
| Insertion/withdrawal cycles | 2000 |
| Width | 35.9 mm |
| Height | 34.5 mm |
| Length | 51.2 mm |

Contact insert - PRC 3-HEAD-FS6-1 - 1070198

Technical data

Connection data

| | |
|--|--|
| Rated current | 35 A (With 6 mm ² conductor cross section in accordance with IEC 61984) |
| | 35 A (With 6 mm ² /AWG 10, in accordance with UL 2238) |
| Nominal voltage ATD | 690 V AC (in accordance with IEC 61984) |
| | 600 V AC (In accordance with UL 2238) |
| Rated voltage (III/2) | 690 V |
| Stripping length | 12 mm |
| Torque | max. 1 Nm (Contact screw) |
| Type of contact | Socket |
| Conductor cross section flexible, with ferrule without plastic sleeve min. | 1.5 mm ² |
| Conductor cross section flexible, with ferrule without plastic sleeve max. | 6 mm ² |
| Conductor cross section flexible, with ferrule with plastic sleeve min. | 1.5 mm ² |
| Conductor cross section flexible, with ferrule with plastic sleeve max. | 6 mm ² |
| Conductor cross section solid min. | 1.5 mm ² |
| Conductor cross section solid max. | 6 mm ² |
| Conductor cross section flexible min. | 4 mm ² |
| Conductor cross section flexible max. | 6 mm ² |
| Type | Release with tool or by hand (see accessories) |
| Connection method | Screw connection |
| Degree of protection | IP66 / IP68 (2m / 24h) / IP69K |
| Stripping length of the individual wire | 12 mm (Lay PE conductor 8 mm leading) |

Material data

| | |
|---------------------------|---------------|
| Contact material | Cu alloy |
| Contact surface material | silver-plated |
| Contact carrier material | PPE |
| Housing material | PPE |
| O-ring material | EPDM |
| Color of the housing part | black |
| Knurl material | PPE |

Ambient conditions

| | |
|---|---|
| Ambient temperature (operation) | -40 °C ... 105 °C (dependent on the derating curve) |
| Ambient temperature (storage/transport) | -40 °C ... 70 °C |

Standards and Regulations

| | |
|--|---|
| Halogen-free | yes |
| Flammability rating according to UL 94 | V0 |
| Safety note | <ul style="list-style-type: none"> • WARNING: Commission properly functioning products only. The products must be regularly inspected for damage. Decommission defective products immediately. Replace damaged products. Repairs are not possible. |
| | <ul style="list-style-type: none"> • WARNING: Only electrically qualified personnel may install and operate the product. They must observe the following safety notes. |

Contact insert - PRC 3-HEAD-FS6-1 - 1070198

Technical data

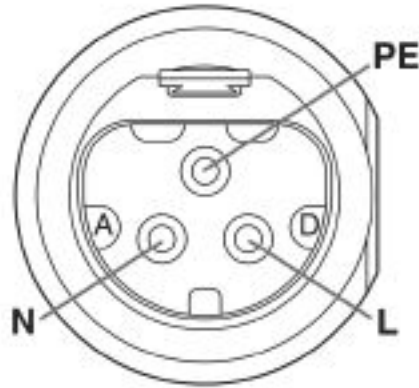
Standards and Regulations

| | |
|--|--|
| | The qualified personnel must be familiar with the basics of electrical engineering. They must be able to recognize and prevent danger. The relevant symbol on the packaging indicates that only personnel familiar with electrical engineering are allowed to install and operate the product. |
| | WARNING: The connectors may not be plugged in or disconnected under load. Ignoring the warning or improper use may damage persons and/or property. |
| | <ul style="list-style-type: none"> Assembled products may not be manipulated or improperly opened. |
| | <ul style="list-style-type: none"> Only use mating connectors that are specified in the technical data of the standards listed (e.g. the ones listed in the product accessories online at phoenixcontact.com/products). |
| | <ul style="list-style-type: none"> When using the product in direct connection with third-party manufacturers, the user is responsible. |
| | <ul style="list-style-type: none"> For operating voltages > 50 V AC, conductive connector housings must be grounded |
| | <ul style="list-style-type: none"> Ensure that the protective or functional ground has been properly connected. |
| | <ul style="list-style-type: none"> VDE 0100/1.97 § 411.1.3.2 and DIN EN 60 204/11.98 § 14.1.3 are applicable when combining several circuits in a cable and/or connector |
| | <ul style="list-style-type: none"> Observe the corresponding technical data. You will find information: <ul style="list-style-type: none"> On the product On the packing label In the supplied documentation Online at phoenixcontact.com/products under the product |
| | <ul style="list-style-type: none"> Only use tools recommended by Phoenix Contact |
| | <ul style="list-style-type: none"> The installation notes/Design In documents online on the download page at phoenixcontact.com/products must be observed for this product. |
| | <ul style="list-style-type: none"> Use a protective cap to protect connectors that are not in use. The suitable accessories are available online in the accessory section of the product at phoenixcontact.com/products |
| | <ul style="list-style-type: none"> Operate the connector only when it is fully plugged in. |
| | <ul style="list-style-type: none"> Operate the connector only when it is fully plugged in and interlocked. |
| | <ul style="list-style-type: none"> Ensure that when laying the cable, the tensile load on the connectors does not exceed the upper limit specified in the standards. |
| | <ul style="list-style-type: none"> Observe the minimum bending radius of the cable. Lay the cable without twisting it. |
| | <ul style="list-style-type: none"> The connector warms up in normal operation. Depending on the ambient conditions, the surface of the connector can continue to warm up. In this case, the user is responsible for posting warnings (e.g. DIN EN ISO 13732-1:2008-12). |

Drawings

Contact insert - PRC 3-HEAD-FS6-1 - 1070198

Schematic diagram



Connector pin assignment

Classifications

eCl@ss

| | |
|---------------|----------|
| eCl@ss 10.0.1 | 27440109 |
| eCl@ss 9.0 | 27440103 |

ETIM

| | |
|----------|----------|
| ETIM 6.0 | EC002061 |
|----------|----------|

Approvals

Approvals

Approvals

EAC / UL Recognized / cUL Recognized / cULus Recognized

Ex Approvals

Approval details

| | | |
|-----|--|---------|
| EAC | | B.01687 |
|-----|--|---------|

Contact insert - PRC 3-HEAD-FS6-1 - 1070198

Approvals

| | | |
|--------------------|-------|--|
| UL Recognized | | http://database.ul.com/cgi-bin/XYV/template/LISEXT/1FRAME/index.htm E468743-20200116 |
| Nominal voltage UN | 600 V | |
| Nominal current IN | 32 A | |
| mm²/AWG/kcmil | 10 | |

| | | |
|--------------------|-------|--|
| cUL Recognized | | http://database.ul.com/cgi-bin/XYV/template/LISEXT/1FRAME/index.htm E468743-20200116 |
| Nominal voltage UN | 600 V | |
| Nominal current IN | 25 A | |
| mm²/AWG/kcmil | 10 | |

| | |
|------------------|--|
| cULus Recognized | |
|------------------|--|

Accessories

Accessories

Circular connector (cable-side)

Connector - PRC FC-45/90-HSG 8-21 - 1065798



Circular connectors (cable-side), Range of articles: PRC, Connector, housing material: PPE, color: black, nom. voltage: 690 V AC, min. cable diameter: 8 mm, max. cable diameter: 21 mm. Connector housing without contact insert. Please order the appropriate contact inserts according to the accessories list

Circular connectors (device side)

Device connector, front mounting - PRC FT25-0-HSG - 1065795



Circular connectors (device-side), Range of articles: PRC, Device connector, front mounting, housing material: PPE, color: black, nom. voltage: 690 V AC. Connector housing without contact insert. Please order the appropriate contact inserts according to the accessories list

Contact insert - PRC 3-HEAD-FS6-1 - 1070198

Accessories

Device connector, front mounting - PRC FT25-45/90-HSG - 1065796



Circular connectors (device-side), Range of articles: PRC, Device connector, front mounting, housing material: PPE, color: black, nom. voltage: 690 V AC. Connector housing without contact insert. Please order the appropriate contact inserts according to the accessories list

Protective cover

Protective cap - PRC COVER F - 1409236



Protective cover, Range of articles: PRC, Protective cap, housing material: PPE, color: black. Suitable for couplings (FS)

Screwdriver tools

Screwdriver - SZF 1-0,6X3,5 - 1204517



Actuation tool, for ST terminal blocks, also suitable for use as a bladed screwdriver, size: 0.6 x 3.5 x 100 mm, 2-component grip, with non-slip grip

Philips screwdriver - SF-PH 1-80 S-VDE - 1212693



Screwdriver, crosshead PH (lasered), insulated, size: PH 1 x 80, 2-component handle, with non-slip grip

Additional products

Accessories - PRC FC RELEASE LATCH BU - 1002293



Circular connectors (cable-side), Range of articles: PRC, Accessories, housing material: PA 6.6-FR. If you are using the release latch, then the PRC approvals in accordance with IEC 61535 and 2PFG 1915 are not required

Contact insert - PRC 3-HEAD-FS6-1 - 1070198

Accessories

Accessories - PRC FC RELEASE LATCH GY - 1002292



Circular connectors (cable-side), Range of articles: PRC, Accessories, housing material: PA 6.6-FR. If you are using the release latch, then the PRC approvals in accordance with IEC 61535 and 2PFG 1915 are not required

Accessories - PRC FC RELEASE LATCH GN - 1002290



Circular connectors (cable-side), Range of articles: PRC, Accessories, housing material: PA 6.6-FR. If you are using the release latch, then the PRC approvals in accordance with IEC 61535 and 2PFG 1915 are not required

Phoenix Contact 2020 © - all rights reserved
<http://www.phoenixcontact.com>

PHOENIX CONTACT GmbH & Co. KG
Flachsmarktstr. 8
32825 Blomberg
Germany
Tel. +49 5235 300
Fax +49 5235 3 41200
<http://www.phoenixcontact.com>

X-ON Electronics

Largest Supplier of Electrical and Electronic Components

Click to view similar products for [Solar Connectors / Photovoltaic Connectors](#) category:

Click to view products by [Phoenix Contact](#) manufacturer:

Other Similar products are found below :

[1740699-7](#) [1971861-4](#) [1971131-4](#) [1971858-3](#) [1971861-3](#) [PV-090508-F03](#) [PV-090508-M10](#) [PV-CM-S 2 5-6 \(-\)](#) [2270184-3](#) [2270154-2](#)
[2270226-4](#) [PV-090508-M06-N](#) [1987558-2](#) [PV-090506-F03](#) [UTXPM](#) [UTXPF](#) [UTXCMB6AM](#) [1627092](#) [1017635](#) [1017636](#) [1-2306314-1](#) [1-](#)
[2306314-2](#) [1302440201](#) [1303450000](#) [PV-STICK+ VPE10](#) [2-1971862-2](#) [H4CMC6DM](#) [1705996](#) [1705995](#) [1971858-2](#) [5-2306317-2](#) [1704926](#)
[H4CFC4DIS](#) [H4CFC4DC](#) [H4CFC4DM](#) [H4CFC6DM](#) [H4CFM2DI](#) [H4CFM6DI](#) [H4CMC2DI](#) [H4CMC8DM](#) [H4CMM6DI](#) [H4CMC4DMS](#)
[H4CMC4DIS](#) [H4PF](#) [H4PM](#) [HGLUI](#) [PWJ-03BMMB-LL8001](#) [UTXCFA0AM](#) [UTXCFA4BMH](#) [UTXCMA0AM](#) [UTXCMA4AM](#)