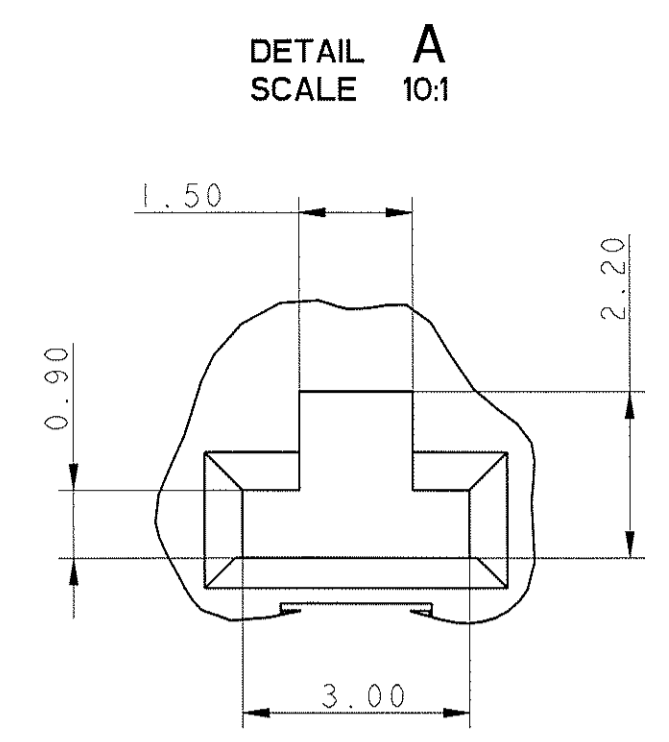
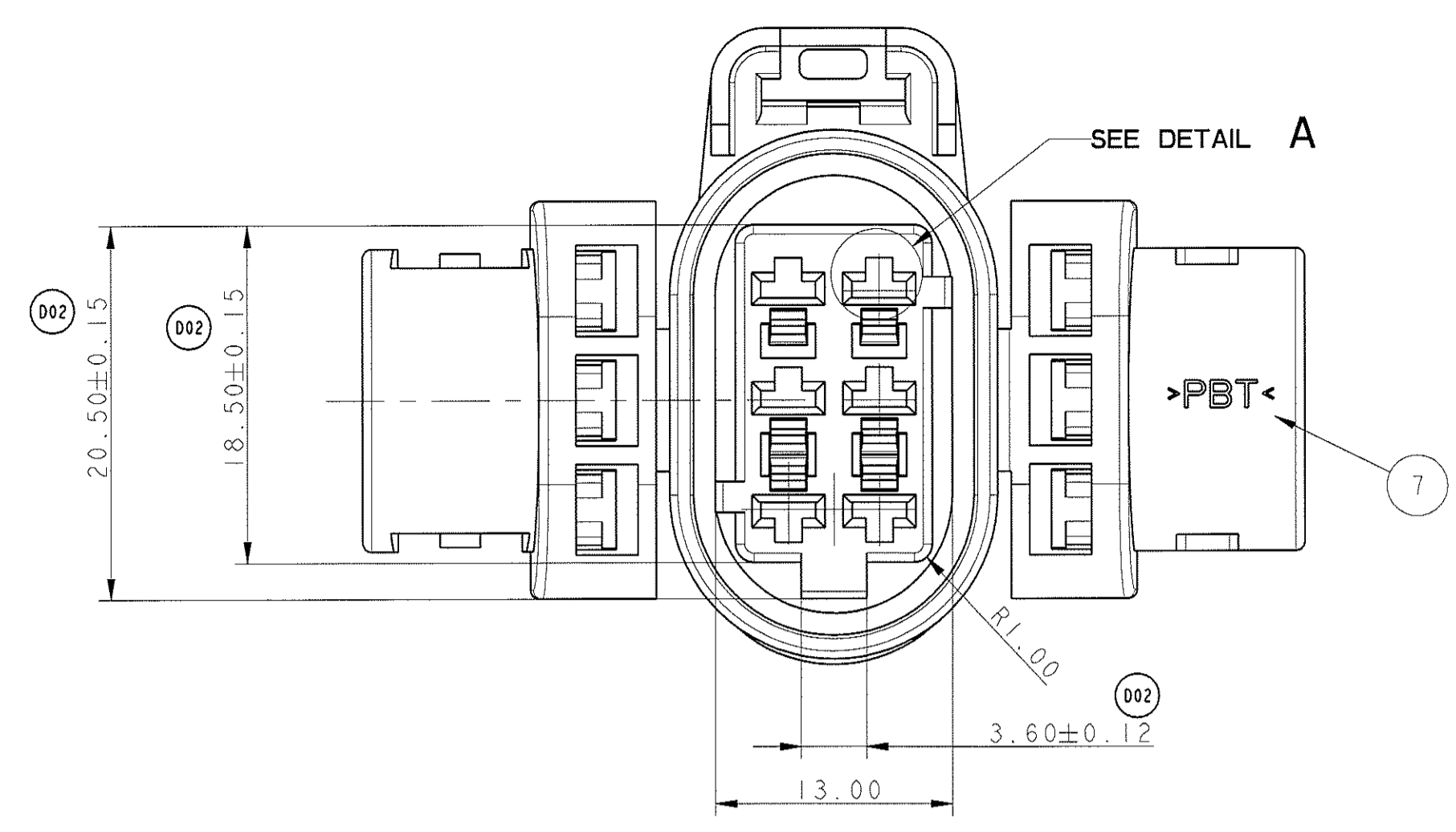
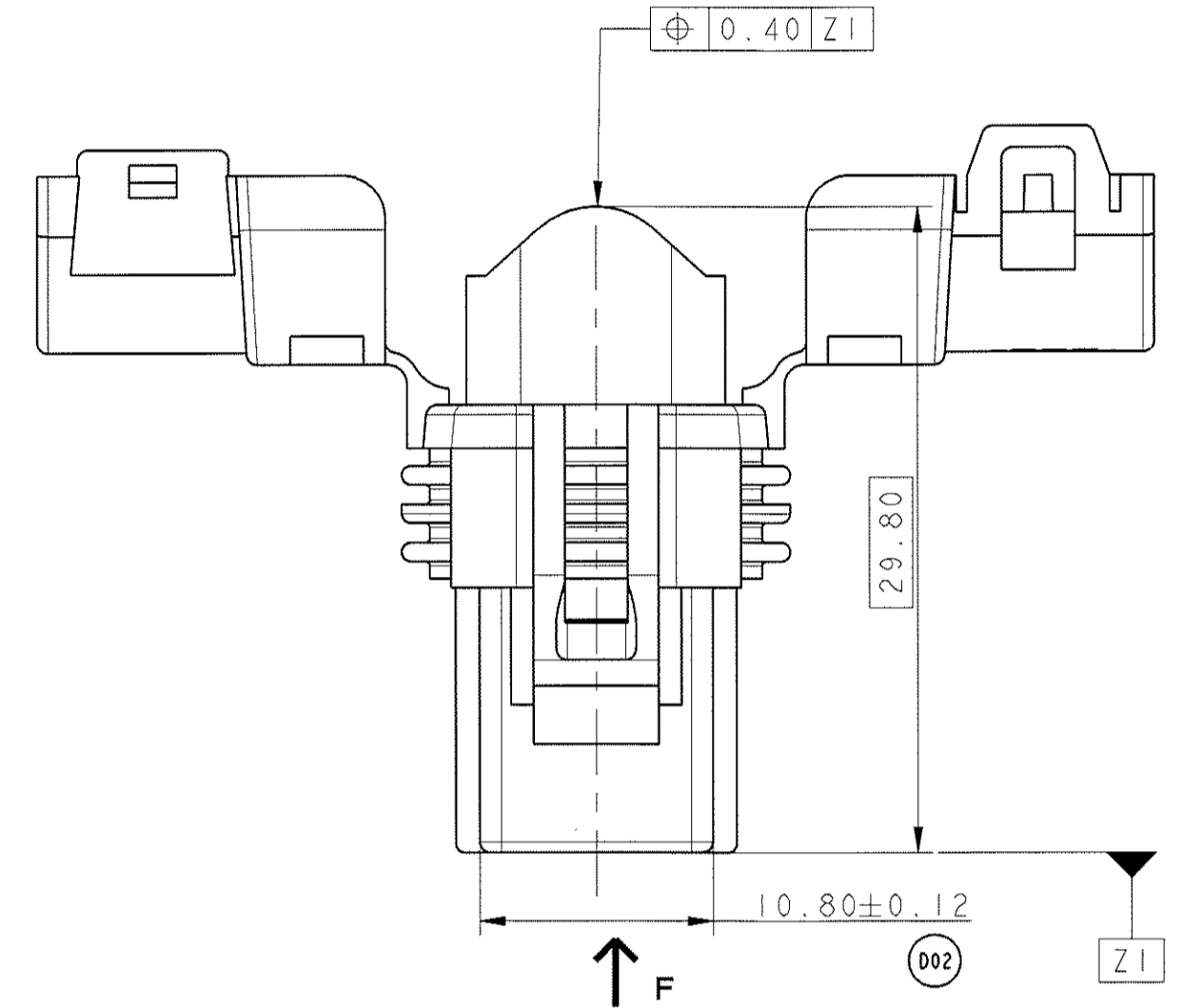
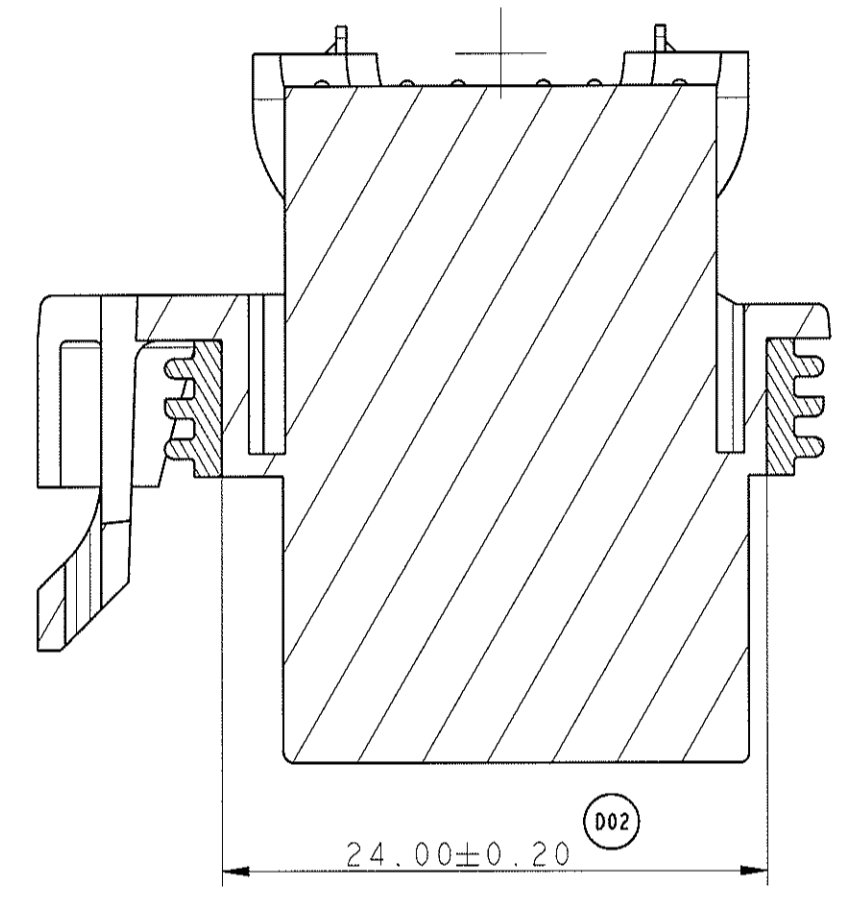


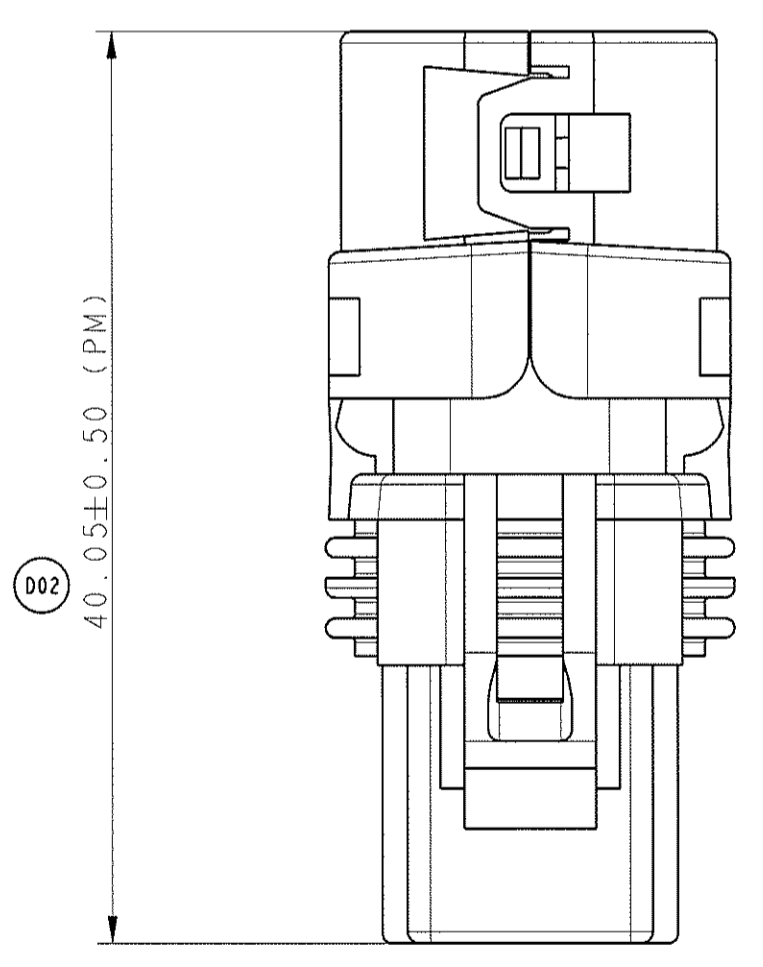
SCALE 1:1



SECTION A-A

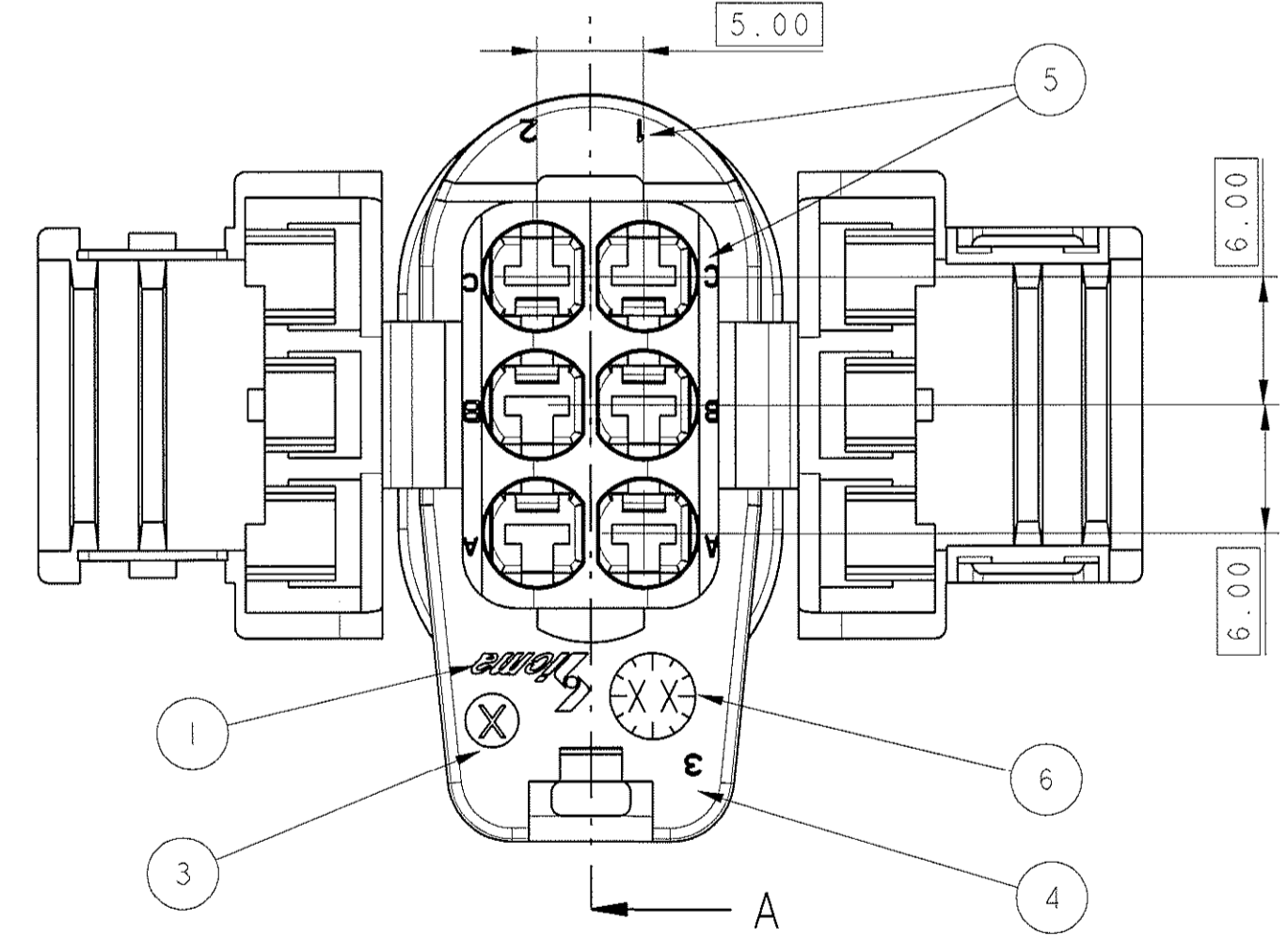
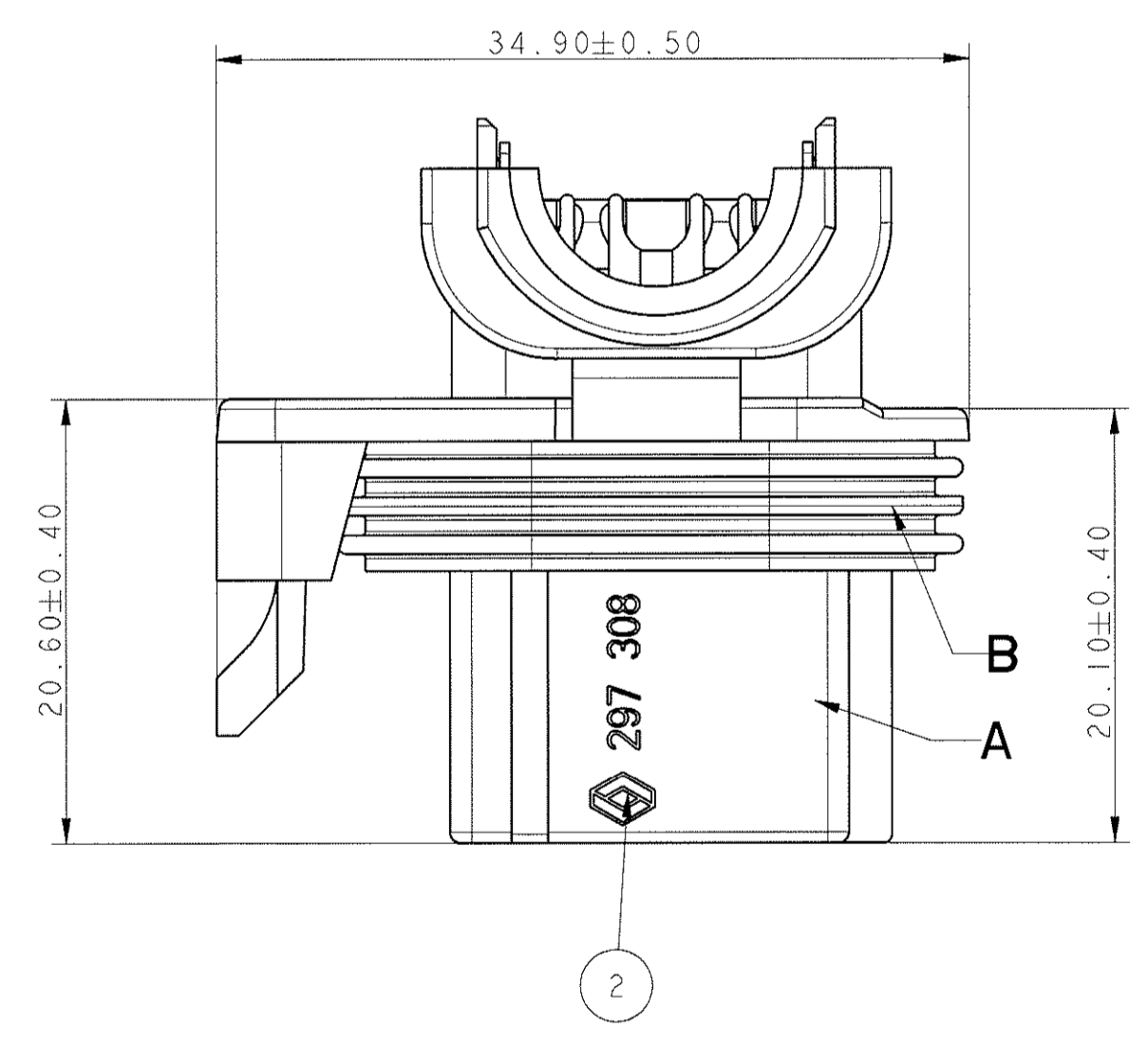


SCALE 3:1 FLAP CLOSED



| NOMENCLATURE / PARTS LIST | | | | | |
|---------------------------|---------------------|----------------------------------|--------------------|------------------|-------------------|
| REP | QUANTITE / QUANTITY | DESIGNATION | MATIERE / MATERIAL | COULEUR / COLOUR | REF FCI / FCI P/N |
| B | 1 | JOINT INTERFACIAL INTERFACE SEAL | SILICON | VERT GREEN | 211 M 018 |
| | | | | CRISTAL WHITE | 211 I 9 056 |
| A | 1 | PORTE CLIPS FEMALE HOUSING | PBT | MARRON BROWN | 211 I 1 002 |
| | | | | GRIS GREY | 211 I 8 002 |
| | | | | NOIR BLACK | 211 I 0 002 |

| MARQUAGES / MARKING | |
|---------------------|---|
| 1 | SIGLE SIGMA / LOGO SIGMA |
| 2 | SIGLE RENAULT / LOGO RENAULT |
| 3 | INDICE ENSEMBLE MONTE OU INDICE CORPS: INDICE MAJEUR DU PLAN REVISION LEVEL: MAJOR INDEX OF THE PLAN |
| 4 | REPERE D'EMPREINTE / CAVITY MOLD POSITION |
| 5 | REPERE D'ALVEOLE / CAVITY POSITION |
| 6 | DATEUR (XX: ANNEE) / DATE INDICATOR (XX: YEAR) |
| 7 | CODE MATIERE PC / MATERIAL FOR HOUSING |



DETROMPAGE PORTE CLIPS
LOCATING DEVICE FEMALE HOUSING

ALVEOLES 2A ET 2B BOUCHEES
CAVITY 2A AND 2B CLOSED

| CODAGE SUIVANT VUE F CODING ACCORDING TO VIEW F | 9.50 ^{+0.25} ₀ | | 4.70 ^{+0.20} ₀ | | 4.70 ^{+0.20} ₀ | | 9.50 ^{+0.25} ₀ | |
|--|-------------------------------------|--|------------------------------------|--|------------------------------------|--|-------------------------------------|--|
| | 12.90 ⁰ _{-0.25} | | 8.10 ⁰ _{-0.20} | | 8.10 ⁰ _{-0.20} | | 12.90 ⁰ _{-0.25} | |
| ECHELLE: 3/2 SCALE: 3/2 | | | | | | | | |
| MASSE (g) / WEIGHT (g) | 8.00 | | 8.00 | | 8.00 | | 8.00 | |
| Réf. FCI | 211 PC 06 3 S 0 003 (D02) | | 211 PC 06 3 S 8 003 (D02) | | 211 PC 06 3 S 1 003 | | 211 PC 06 3 S 9 018 | |
| COULEUR CORPS / COLOR BODY | NOIR / BLACK | | GRIS / GREY | | MARRON / BROWN | | CRISTAL / WHITE | |
| CODAGE / CODING | NOIR / BLACK | | GRIS / GREY | | MARRON / BROWN | | NOIR / BLACK | |

| | | | | | | | |
|---|--------------------------------------|--|---|--|----------------------------------|-------------------------|---------------------------|
| A 07 037 | 10/09/07 | D02 | AIS | UPDATE P/N FCI WHIT CODING BLACK AND GREY. | TECHNE | | |
| | | | UPDATE | | | | |
| | | | CHANGE CAD SYSTEM: TOPCAD-->PROVE | | | | |
| | | | DM 07-021 (06/09/07) | | | | |
| TECH. NO. NUMERO ECH | DATE DATE | REV. INDEX | POSITION POSITION | CHANGE DESCRIPTION MODIFICATION | DRAWN BY DESINEUR | CHECKED BY VERIFIEUR | APPROVED BY APPROUVEUR |
| PRODUCT SPEC. SPECIF. PRODUIT | PACKAGING SPEC. SPECIF. EMBALLAGE | APPLICATION SPEC. SPECIF. APPLICATION | THIS DRAWING AND ALL OTHER INFORMATION CONTAINED THEREIN IS PROPRIETARY AND THE PROPERTY OF FCI. This drawing may not be copied, reproduced or disclosed to any third party without the expressed written permission of FCI. CE PLAN ET LES INFORMATIONS CONTENUES DANS CE PLAN SONT PROPRIETAIRES ET LA PROPRIETE DE FCI. Ce plan ne peut être copié, reproduit ou communiqué à un tiers sans l'autorisation écrite de FCI. © FCI April 1998 | | | | |
| TOLERANCES COTATIONS | ±0.2 ±0.2 | MATERIAL MATIERE | SEE TABLE | SURFACE FINISH ETAT DE SURFACE | ISO PRODUCTION PRODUCTION ISO | CAD SYSTEM P/N / n° | SCALE ECH. |
| COUNTERTOP NO. COTE MATIE N° | | COLOR COULEUR | SEE TABLE | FE | FCI | 1 | 2:1 |
| DO NOT SCALE DRAWING NE PAS PRENDRE DE COTES | | TECH. NO. COTE N° | | FE | | | |
| DRAWN BY DESINEUR | DATE DATE | NAME NOM | | DESIGNATION | DRAWING NUMBER REFERENCE PLAN | | |
| CHECKED BY VERIF. PAR | | | | | 211 FT 0091 | | |
| APPROVED BY APP. PAR | | | | | | | |
| ESH. NO. NUMERO ESR | ESH. NO. NUMERO ECH | ESH. NO. NUMERO ECH | | | FILE NAME NOM DE FICHIER | | 211FT0091 |

X-ON Electronics

Largest Supplier of Electrical and Electronic Components

Click to view similar products for [Automotive Connectors](#) category:

Click to view products by [Phoenix Contact](#) manufacturer:

Other Similar products are found below :

[003-018-000](#) [60403001](#) [60993906-B](#) [629515004020001](#) [M902-2131](#) [M902-2161](#) [72.330.1035.1](#) [73.353.4028.0](#) [F119300-B](#) [F166900](#)
[F258300-B](#) [F358300-B](#) [F407400](#) [F444110](#) [F487000](#) [F509500B-B](#) [827153-1](#) [8N1515-32-24P](#) [9-1326729-8](#) [925474-1](#) [928905-1](#) [964562-4](#)
[968782-1](#) [GT17SA-8DS-HU](#) [98891-1012](#) [98947-1016](#) [12004475-L](#) [12010290](#) [12010309-B](#) [12015454](#) [12020219-B](#) [12020308](#) [12041318-B](#)
[12052225-L](#) [12052466](#) [12059125](#) [12064869](#) [12004327-B](#) [12010503-B](#) [12015308](#) [12015384](#) [12015909](#) [1-21030-1](#) [12041254](#) [12041318](#)
[12047946-B](#) [12047957](#) [12047957-L](#) [12059473](#) [12066261](#)