

Network cable - NBC-M8MRD/10,0-93C/M8MRD - 1080537


Please be informed that the data shown in this PDF Document is generated from our Online Catalog. Please find the complete data in the user's documentation. Our General Terms of Use for Downloads are valid (<http://phoenixcontact.com/download>)



Network cable, PROFINET CAT5 (100 Mbps), EtherCAT® CAT5 (100 Mbps), 4-position, PUR/FRNC halogen-free, green RAL 6018, shielded (Advanced Shielding Technology), Plug angled M8 / IP67, coding: D, on Plug angled M8 / IP67, coding: D, cable length: 10 m



Key Commercial Data

| | |
|--------------|---|
| Packing unit | 1 pc |
| GTIN |  4 0 5 5 6 2 6 8 0 4 8 1 1 |
| GTIN | 4055626804811 |

Technical data

Dimensions

| | |
|-----------------|------|
| Length of cable | 10 m |
|-----------------|------|

Ambient conditions

| | |
|---------------------------------|----------------------------------|
| Degree of protection | IP65 |
| | IP67 |
| Ambient temperature (operation) | -25 °C ... 90 °C (M12 connector) |

General data

| | |
|-----------------------|--|
| Note | This product corresponds to the PROFINET Cabling and Interconnection Technology Guideline for PROFINET regulations, version 2.00, order no: 2.252, Chapter 8.2 Connectors for Outside Environment (Balanced cabling) |
| Rated current at 40°C | 4 A |
| Rated voltage | 48 V AC 60 V DC |
| Number of positions | 4 |
| Signal type/category | PROFINET CAT5 (IEC 11801), 100 Mbps EtherCAT® CAT5 (IEC 11801), 100 Mbps |
| Standards/regulations | M8 connector IEC 61076-2-114 |

Network cable - NBC-M8MRD/10,0-93C/M8MRD - 1080537

Technical data

General data

| | |
|---|------|
| Transmission characteristics (category) | CAT5 |
|---|------|

Characteristics head 1

| | |
|--|--|
| Head type | Plug angled M8 / IP67 |
| No. of positions (pin connector pattern) | 4 |
| Coding | D (Data) |
| Color | black |
| Material (component) | CuSn (Contact) |
| | Ni/Au (Contact surface) |
| | PA 6.6 (Contact carriers) |
| | TPU, hardly inflammable, self-extinguishing (Grip) |
| | Brass, nickel-plated (Screw connection) |
| Shielded | yes |
| Insulation resistance | ≥ 100 MΩ |
| Insertion/withdrawal cycles | ≥ 100 |
| Torque | 0.2 Nm |
| Ambient temperature (operation) | -25 °C ... 90 °C |
| Shielded | yes |
| Outer sheath, material | PUR |
| External sheath, color | green RAL 6018 |
| Type type, plug side | Plug angled |
| Type type, socket side | Plug, angled |

Characteristics head 2

| | |
|--|--|
| Head type | Plug angled M8 / IP67 |
| No. of positions (pin connector pattern) | 4 |
| Coding | D (Data) |
| Color | black |
| Material (component) | CuSn (Contact) |
| | Ni/Au (Contact surface) |
| | PA 6.6 (Contact carriers) |
| | TPU, hardly inflammable, self-extinguishing (Grip) |
| | Brass, nickel-plated (Screw connection) |
| Shielded | yes |
| Insulation resistance | ≥ 100 MΩ |
| Insertion/withdrawal cycles | ≥ 100 |
| Torque | 0.2 Nm |
| Ambient temperature (operation) | -25 °C ... 90 °C |

Standards and Regulations

| | |
|--------------------------|------------------------------|
| Standards/specifications | M8 connector IEC 61076-2-114 |
|--------------------------|------------------------------|

Cable

Network cable - NBC-M8MRD/10,0-93C/M8MRD - 1080537

Technical data

Cable

| | |
|---|--|
| Product labeling | "sequential length in metres" PN-CABLE-934-C / PUR-4X22AWG/7 Trailing * 22AWG (SHIELDED) (UL) E119100 CMX 75°C VERIFIED (UL) CAT 5E PATCH CABLE FRNC * (Cable printing cable supplier) |
| Cable type | PROFINET drag chain CAT5 |
| Cable type (abbreviation) | 93C |
| Signal type/category | PROFINET CAT5 (IEC 11801), 100 Mbps |
| | EtherCAT® CAT5 (IEC 11801), 100 Mbps |
| Cable structure | 1x4xAWG22/7; SF/TQ |
| Conductor cross section | 4x 0.34 mm ² |
| AWG signal line | 22 |
| Conductor structure signal line | 7x 0.25 mm |
| Core diameter including insulation | 1.5 mm |
| Wire colors | White, yellow, blue, orange |
| Overall twist | Star quad |
| Shielding | Aluminum-coated foil, tinned copper braided shield |
| Optical shield covering | 85 % |
| External sheath, color | green RAL 6018 |
| Outer sheath thickness | approx. 0.9 mm |
| External cable diameter D | 6.5 mm ±0.2 mm |
| Minimum bending radius, fixed installation | 5 x D |
| Minimum bending radius, flexible installation | 7.5 x D |
| Number of bending cycles | 3000000 |
| Bending radius | 100 mm |
| Traversing path | 10 m |
| Traversing rate | 4 m/s |
| Acceleration | 4 m/s ² |
| Torsion force | ± 30 °/m |
| Tensile strength GRP | ≤ 150 N |
| Cable weight | 61 kg/km |
| Outer sheath, material | PUR |
| Material, inner sheath | FRNC |
| Material conductor insulation | PE |
| Conductor material | Tin-plated Cu litz wires |
| Insulation resistance | ≥ 500 MΩ*km |
| Loop resistance | ≤ 120.00 Ω/km |
| Wave impedance | 100 Ω ±15 Ω (at 1 ... 100 MHz) |
| Near end crosstalk attenuation (NEXT) | 80 dB (with 1 MHz) |
| | 76 dB (at 4 MHz) |
| | 70 dB (at 10 MHz) |
| | 65 dB (at 16 MHz) |
| | 63 dB (at 20 MHz) |

Network cable - NBC-M8MRD/10,0-93C/M8MRD - 1080537

Technical data

Cable

| | |
|---|---|
| | 60 dB (at 31.25 MHz) |
| | 55 dB (at 62.5 MHz) |
| | 50 dB (at 100 MHz) |
| Attenuation | 2.1 dB (with 1 MHz) |
| | 4 dB (at 4 MHz) |
| | 6.3 dB (at 10 MHz) |
| | 8 dB (at 16 MHz) |
| | 9 dB (at 20 MHz) |
| | 11.4 dB (at 31.25 MHz) |
| | 16.5 dB (at 62.5 MHz) |
| | 21.3 dB (at 100 MHz) |
| Signal speed | 0.66 c |
| Signal runtime | 5.3 ns/m |
| Coupling resistance | ≤ 20.00 mΩ/m (at 10 MHz) |
| Nominal voltage, cable | 600 V (UL rating) |
| Test voltage Core/Core | 2000 V (50 Hz, 1 min.) |
| Test voltage Core/Shield | 2000 V (50 Hz, 1 min.) |
| Special properties | Electrical properties according to EN 50288-2-2 |
| Flame resistance | according to IEC 60332-1-2 |
| Halogen-free | yes |
| Resistance to oil | in accordance with DIN EN 60811-2-1 |
| Other resistance | UV resistant |
| Ambient temperature (operation) | -40 °C ... 70 °C (cable, fixed installation) |
| | -40 °C ... 70 °C (cable, flexible installation) |
| Ambient temperature (installation) | -20 °C ... 60 °C |
| Ambient temperature (storage/transport) | -50 °C ... 70 °C |

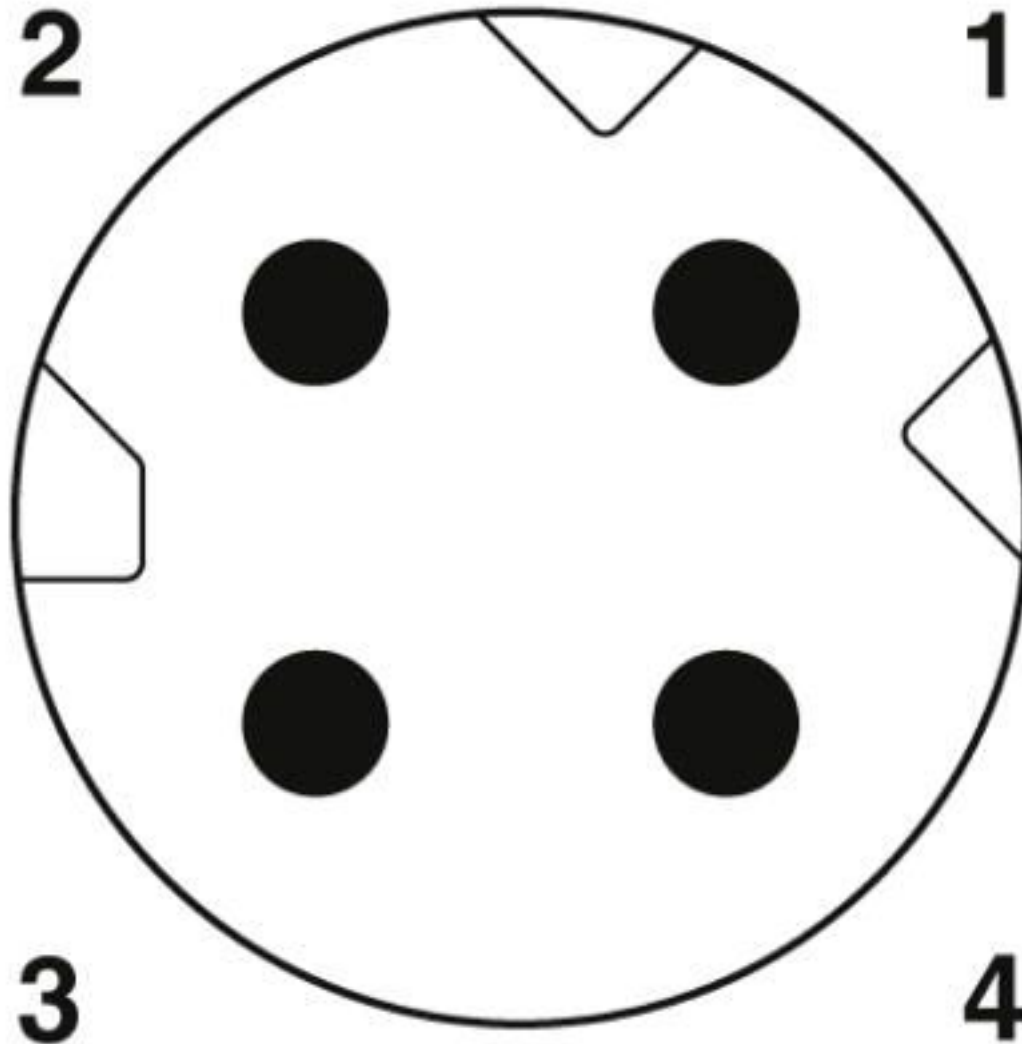
Environmental Product Compliance

| | |
|------------|---|
| REACH SVHC | Lead 7439-92-1 |
| China RoHS | Environmentally Friendly Use Period = 50 years |
| | For details about hazardous substances go to tab "Downloads", Category "Manufacturer's declaration" |

Drawings

Network cable - NBC-M8MRD/10,0-93C/M8MRD - 1080537

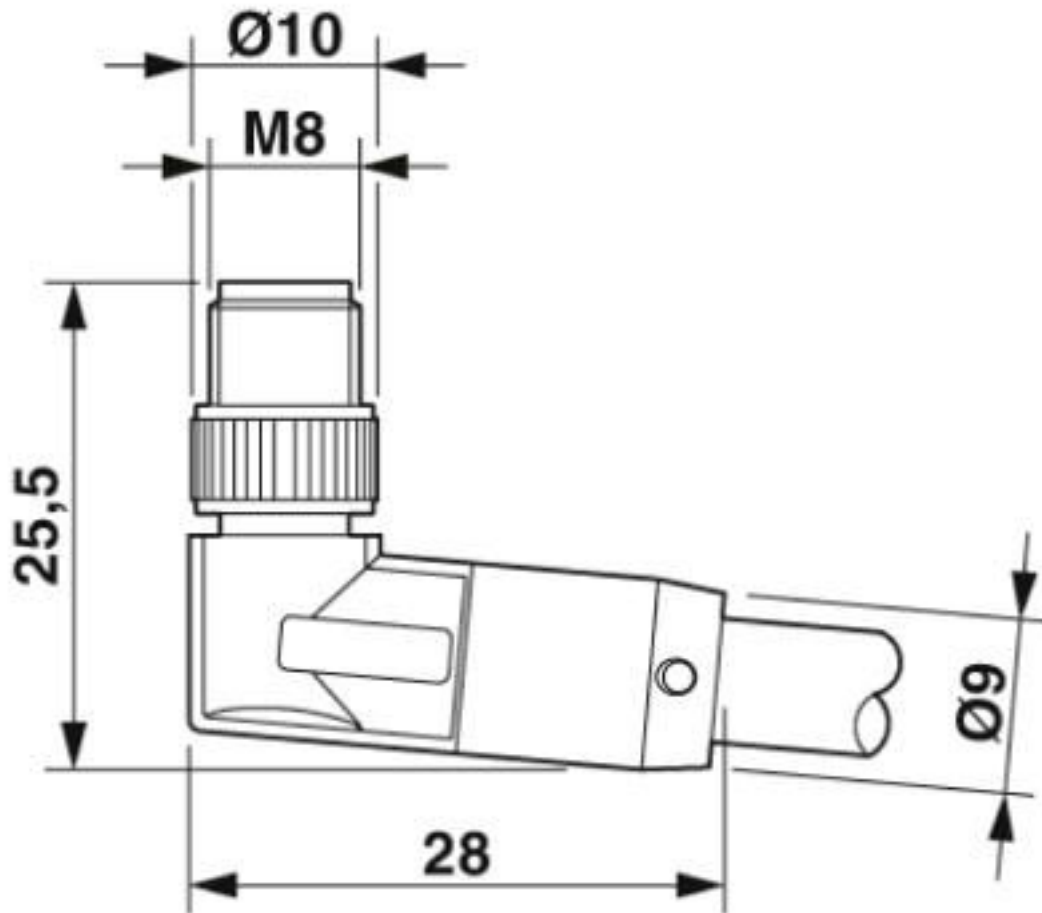
Schematic diagram



Pin assignment M8 male connector, 4-pos., D-coded, view of pin side

Network cable - NBC-M8MRD/10,0-93C/M8MRD - 1080537

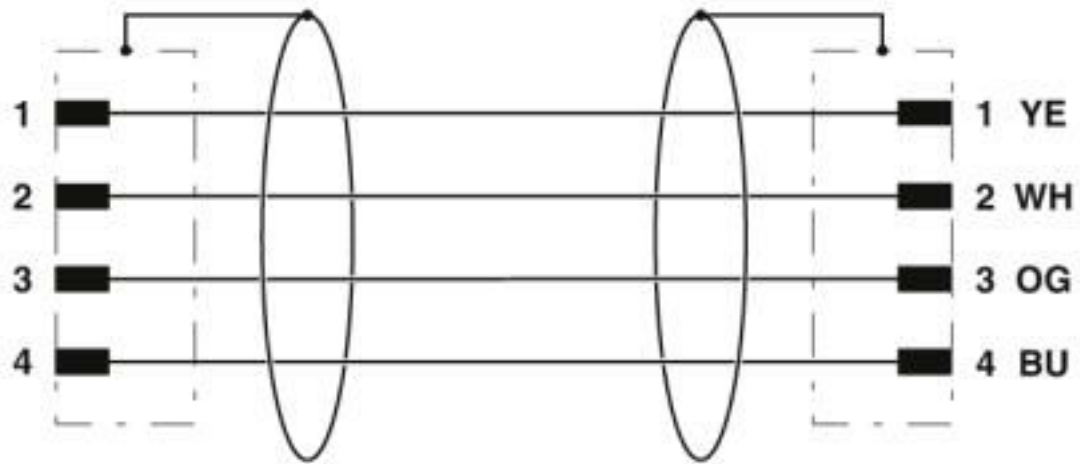
Dimensional drawing



Plug M8 x 1, angled, shielded

Network cable - NBC-M8MRD/10,0-93C/M8MRD - 1080537

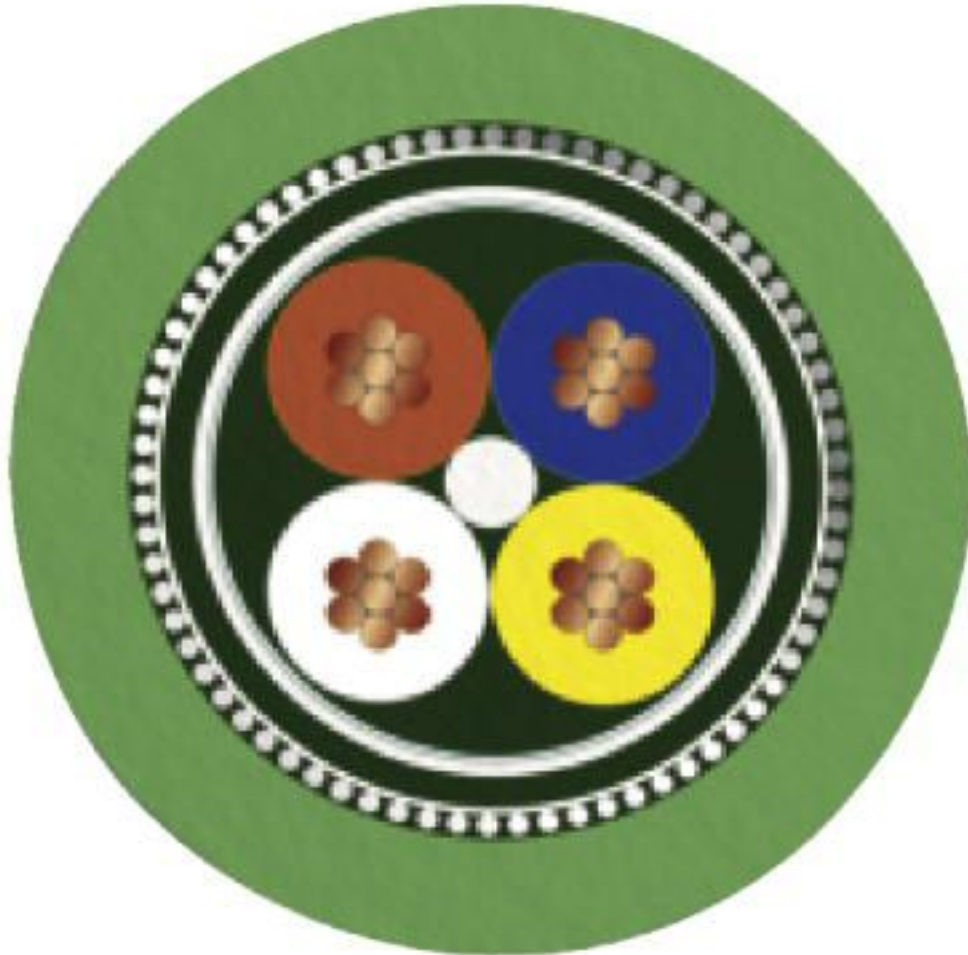
Circuit diagram



Contact assignment of M8 plugs

Network cable - NBC-M8MRD/10,0-93C/M8MRD - 1080537

Cable cross section



PROFINET drag chain CAT5 [93C]

Classifications

eCl@ss

| | |
|---------------|----------|
| eCl@ss 10.0.1 | 27060308 |
| eCl@ss 8.0 | 27060308 |
| eCl@ss 9.0 | 27060308 |

ETIM

| | |
|----------|----------|
| ETIM 5.0 | EC002599 |
| ETIM 6.0 | EC001262 |
| ETIM 7.0 | EC001262 |

Network cable - NBC-M8MRD/10,0-93C/M8MRD - 1080537

Approvals


Approvals

Approvals

EAC-RoHS

Ex Approvals

Approval details

| | | |
|----------|---|--------------------------|
| EAC-RoHS |  | RU D- DE.HB35.B.00385 |
|----------|---|--------------------------|

Phoenix Contact 2020 © - all rights reserved
<http://www.phoenixcontact.com>

PHOENIX CONTACT GmbH & Co. KG
Flachsmarktstr. 8
32825 Blomberg
Germany
Tel. +49 5235 300
Fax +49 5235 3 41200
<http://www.phoenixcontact.com>

X-ON Electronics

Largest Supplier of Electrical and Electronic Components

Click to view similar products for [Ethernet Cables / Networking Cables](#) category:

Click to view products by [Phoenix Contact](#) manufacturer:

Other Similar products are found below :

[73-6670-7](#) [73-6680-15](#) [73-7797-25](#) [MCJB2-10P6Q7-120](#) [84909-0204](#) [1200700174](#) [1200860368](#) [E16A06002M030](#) [E200102-009-S1](#)
[AX105346-EW](#) [MT14-187L](#) [17-103530](#) [ERWPAB3002M005](#) [190-038045-01](#) [NK5EPC18RDY](#) [NK5EPC18VLY](#) [NK5EPC18YLY](#)
[NK5EPC1GRY](#) [NK5EPC4Y](#) [NK5EPC6YLY](#) [NK5EPC8BLY](#) [NK5EPC9YLY](#) [1969343-6](#) [C501100010](#) [C501106002](#) [C501106007](#)
[C501106015](#) [C501106025](#) [C601102010](#) [C601104010](#) [C601106007](#) [C601106015](#) [2142758-2](#) [2168427-2](#) [CAT1106007](#) [21949-1](#) [2J1866A](#)
[RJF SFTP 5E 0500](#) [AX100351](#) [MN14CEC/ST](#) [C501100015](#) [C501106004](#) [C501106010](#) [C5F1108007](#) [C601104004](#) [C601106004](#)
[CA21106004](#) [CA21106010](#) [CA21106015](#) [CA21109007](#)