

RJ45 coupling - CUC-K-D1ZNI-S/R4GCHP8 - 1086108

Please be informed that the data shown in this PDF Document is generated from our Online Catalog. Please find the complete data in the user's documentation. Our General Terms of Use for Downloads are valid (<http://phoenixcontact.com/download>)




RJ45 coupling, degree of protection: IP20, number of positions: 8, 10 Gbps, CAT6_A, material: Zinc die-cast, connection method: 2x RJ45, Keystone design for use with IP20 and IP67 panel mounting frame or integrated directly into the housing panel

Your advantages

- ✓ Assembly without special tools
- ✓ Compact design
- ✓ Keystone adapter can be integrated directly into the housing panel
- ✓ Rugged design
- ✓ 10 Gbps
- ✓ CAT6A in accordance with ISO/IEC 11801
- ✓ 360° shielding
- ✓ PoE++ compatible



Key Commercial Data

Packing unit	1 pc
GTIN	 4 055626 877808
GTIN	4055626877808

Technical data

Mechanical characteristics

Connection method	2x RJ45
Number of slots	2
Weight	15.4 g
Flammability rating according to UL 94	V0

Ambient conditions

Ambient temperature (operation)	-25 °C ... 70 °C
Degree of protection	IP20

Material data

RJ45 coupling - CUC-K-D1ZNI-S/R4GCHP8 - 1086108

Technical data

Material data

Contact surface material	Gold over nickel
Contact material	Spring steel
Housing material	Zinc die-cast
Housing surface material	metal-plated
Width	17.8 mm
Height	22.5 mm
Length	27 mm
Mounting type	Snap in

Electrical characteristics

Number of positions	8
GRP transmission properties	CAT6 _A In accordance with ISO/IEC 11801
Transmission speed	10 Gbps
Frequency range	500 MHz
Dielectric strength	> 1000 V DC
Contact resistance	200 mΩ (Trunk in to trunk out)
Rated voltage (III/3)	72 V (DC)
Insulation resistance	min. 500 MΩ

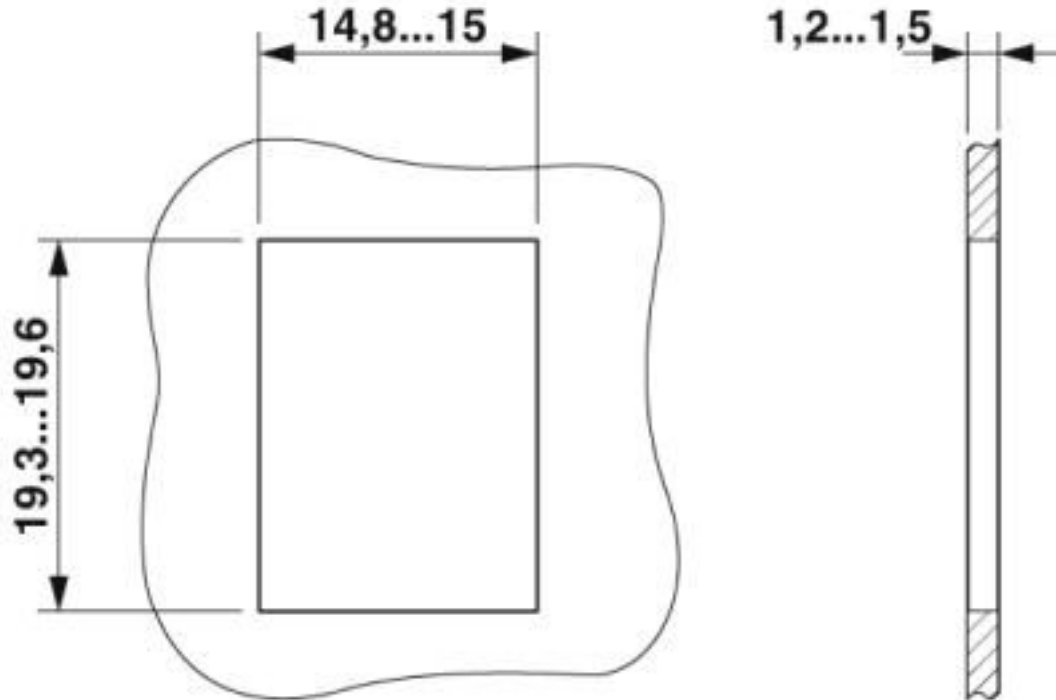
Standards and Regulations

Standards/specifications	IEC 60603-7 DIN EN 50173-1 ISO/IEC 11801-Am.1 IEC 60068-2
Flammability rating according to UL 94	V0

Drawings

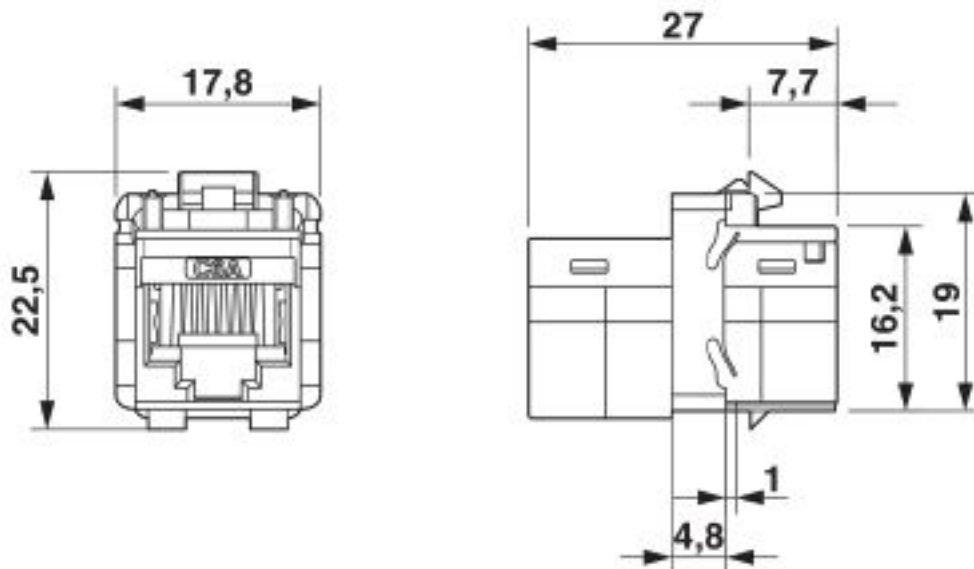
RJ45 coupling - CUC-K-D1ZNI-S/R4GCHP8 - 1086108

Drilling diagram



Panel cutout

Dimensional drawing



RJ45 socket insert, keystone

RJ45 coupling - CUC-K-D1ZNI-S/R4GCHP8 - 1086108

Classifications

eCl@ss

eCl@ss 10.0.1	19179290
eCl@ss 8.0	19179290
eCl@ss 9.0	19179290

ETIM

ETIM 5.0	EC001134
ETIM 6.0	EC000310
ETIM 7.0	EC000310

Approvals

Approvals

Approvals

EAC / UL Recognized / cUL Recognized / cULus Recognized

Ex Approvals

Approval details

EAC		B.01687
-----	--	---------

UL Recognized		http://database.ul.com/cgi-bin/XYV/template/LISEXT/1FRAME/index.htm	FILE E 335024
---------------	--	---	---------------

cUL Recognized		http://database.ul.com/cgi-bin/XYV/template/LISEXT/1FRAME/index.htm	FILE E 335024
----------------	--	---	---------------

cULus Recognized			
------------------	--	--	--

Accessories

Accessories

Data plug

RJ45 coupling - CUC-K-D1ZNI-S/R4GCHP8 - 1086108

Accessories

RJ45 connector - VS-08-RJ45-10G/Q - 1419001



RJ45 connector, IP20, CAT6_A, 8-pos., with QUICKON fast connection technology, for 26 ... 24 AWG 1-wire and 7-wire conductors, color: black

Panel mounting frame

Panel mounting frames - VS-08-A-RJ45/MOD-1-IP20 - 1689433



RJ45 panel mounting frame, 1x, IP20, for modular socket inserts (Keystone), without mounting screws

Panel mounting frames - VS-08-A-RJ45/MOD-1-R-IP67 - 1689844



RJ45 panel mounting frame, IP67, for modular socket inserts (Keystone), for round panel cutout, with grommet, with thread and union nut, color: gray

Panel mounting frames - VS-08-A-RJ45/MOD-1-IP67 - 1689080



RJ45 panel mounting frame, IP67, for modular socket inserts (Keystone), for square panel cutout, with grommet, without mounting screws, color: gray

Panel mounting frames - VS-08-A-RJ45/MOD-1-R-IP67 BK - 1658053



RJ45 panel mounting frame, IP67, for modular socket inserts (Keystone), for round panel cutout, with grommet, with thread and union nut, color: black

RJ45 coupling - CUC-K-D1ZNI-S/R4GCHP8 - 1086108

Accessories

Panel mounting frames - VS-08-A-RJ45/MOD-1-IP67-BK - 1658642



RJ45 panel mounting frame, IP67, for modular socket inserts (Keystone), for square panel cutout, with grommet, without mounting screws, color: black

Phoenix Contact 2020 © - all rights reserved
<http://www.phoenixcontact.com>

PHOENIX CONTACT GmbH & Co. KG
Flachsmarktstr. 8
32825 Blomberg
Germany
Tel. +49 5235 300
Fax +49 5235 3 41200
<http://www.phoenixcontact.com>

X-ON Electronics

Largest Supplier of Electrical and Electronic Components

Click to view similar products for [Modular Connectors / Ethernet Connectors](#) category:

Click to view products by [Phoenix Contact](#) manufacturer:

Other Similar products are found below :

[8949-H88/06BLKA/SN](#) [74441-0010/BKN](#) [MP1010RX-1000](#) [MP44RX-1000](#) [PHP-6P6C-5](#) [GAX-3-66](#) [GAX-8-62](#) [GDCX-PA-66-50](#) [GDCX-PN-64](#) [GDCX-PN-66](#) [GDCX-PN-66-50](#) [GDLX-A-66](#) [GDLX-N-66](#) [GDLX-S-66](#) [GDLX-S-88K](#) [GDTX-S-88-50](#) [GDX-PA-1010](#) [GLX-N-1010M-BLK](#) [GLX-S-88M-BLK](#) [GMX-N-1010](#) [GMX-S-1010](#) [GMX-S-66](#) [GMX-SMT4-N-88](#) [GPX-2-64](#) [GSGX-N-2-88](#) [GSGX-N-4-88](#) [GSX-NS2-88-3.05](#) [GSX-NS2-88-3.05-50](#) [GSX-NS-88-3.05-50](#) [PT-108A-8C-UL](#) [PT-J951-8C](#) [PTS-J531-8CS-50UL](#) [1-1775629-2](#) [A-2014-0-4](#) [GWLX-S-88-GR](#) [GWLX-S9-88-YG](#) [DC-1021-8-WH-6](#) [1300530003](#) [1324640-4](#) [RJ11FTVC2G](#) [RJ11FTVC2N](#) [RJFTVX2SA1G](#) [132764-001](#) [1413235](#) [MP88X-1000](#) [MPS88RX-5000](#) [E5288-S000K3-L](#) [E5908-15A242-L](#) [155302-001](#) [AX100653](#)