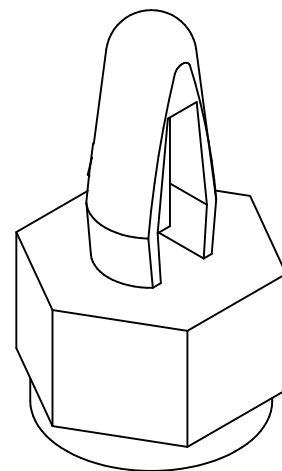
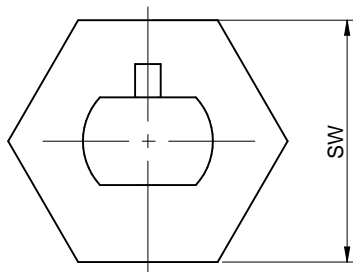
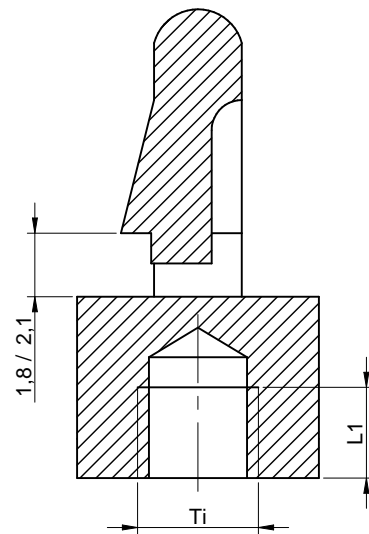
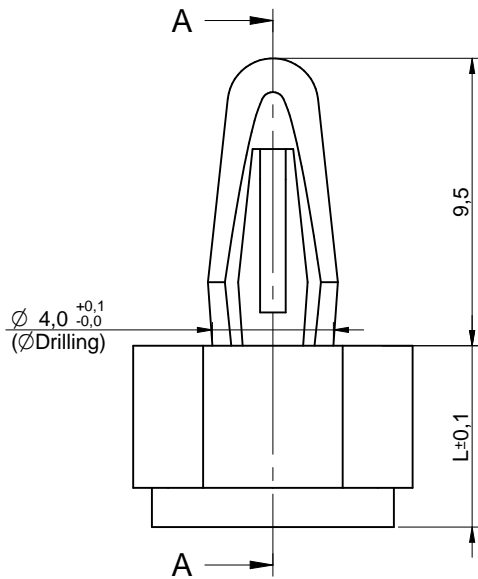


Order Code	L (mm)	L <sub>1</sub> (mm)	Thread Size	SW
973060365	6	3.0	M 3.0	SW 6
973070365	7	3.0	M 3.0	SW 6
973080365	8	4.0	M 3.0	SW 6
973090365	9	4.5	M 3.0	SW 6
973100365	10	5.0	M 3.0	SW 6
973110365	11	5.5	M 3.0	SW 6
973120365	12	6.0	M 3.0	SW 6
973130365	13	6.5	M 3.0	SW 6
973140365	14	7.0	M 3.0	SW 6
973150365	15	7.5	M 3.0	SW 6
973160365	16	8.0	M 3.0	SW 6
973170365	17	8.5	M 3.0	SW 6
973180365	18	9.0	M 3.0	SW 6
973190365	19	9.5	M 3.0	SW 6
973200365	20	10.0	M 3.0	SW 6
973500365	50	10.0	M 3.0	SW 6



Würth Elektronik eiSos GmbH & Co. KG  
EMC & Inductive Solutions

Max-Eyth-Str. 1  
74638 Waldenburg  
Germany  
Tel. +49 79 42 945 - 0

www.we-online.com  
eiSos@we-online.com



CREATED  
D. Fandrey

CHECKED  
S. Klingler

PROJECTION METHOD  SCALE 4 : 1

DESCRIPTION  
**AsSNTI  
Plastic Spacer Stud  
Metric internal Thread/Clip**

MATERIAL  
PA-GV, black

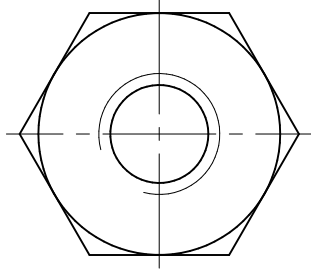
GENERAL TOLERANCE  
DIN ISO 2768 T1m

ORDER CODE  
973 xxx xx5

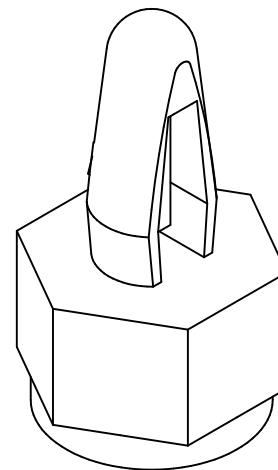
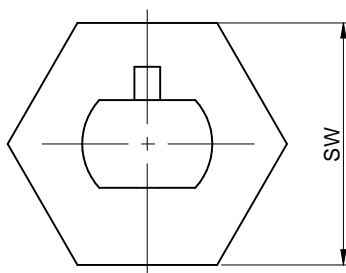
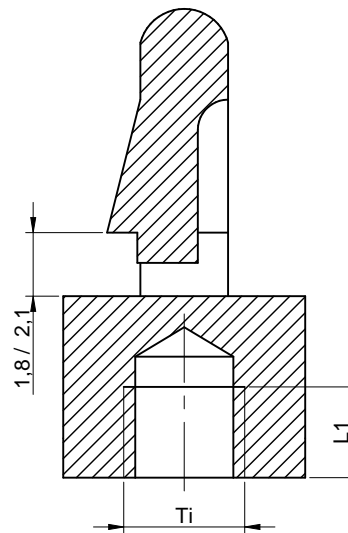
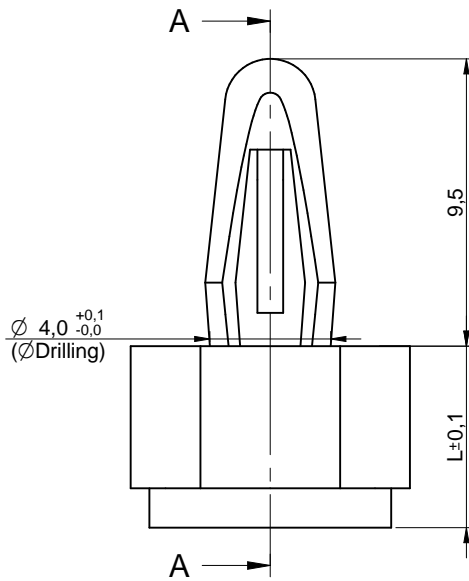
WEIGHT STATUS  
Released

REV DATE  
1.0 2015-02-18

PAGE  
DE 1 / 1



Order Code	L (mm)	L <sub>1</sub> (mm)	Thread Size	SW
973060385	6	3.0	M 3.0	SW 8
973070385	7	3.5	M 3.0	SW 8
973080385	8	4.0	M 3.0	SW 8
973090385	9	4.5	M 3.0	SW 8
973100385	10	5.0	M 3.0	SW 8
973110385	11	5.5	M 3.0	SW 8
973120385	12	6.0	M 3.0	SW 8
973130385	13	6.5	M 3.0	SW 8
973140385	14	7.0	M 3.0	SW 8
973150385	15	7.5	M 3.0	SW 8
973160385	16	8.0	M 3.0	SW 8
973170385	17	8.5	M 3.0	SW 8
973180385	18	9.0	M 3.0	SW 8
973190385	19	9.5	M 3.0	SW 8
973200385	20	10.0	M 3.0	SW 8
973500385	50	10.0	M 3.0	SW 8



Würth Elektronik eiSos GmbH & Co. KG  
EMC & Inductive Solutions

Max-Eyth-Str. 1  
74638 Waldenburg  
Germany  
Tel. +49 79 42 945 - 0

www.we-online.com  
eiSos@we-online.com



CREATED  
D. Fandrey

CHECKED  
S. Klingler

PROJECTION METHOD SCALE 4 : 1

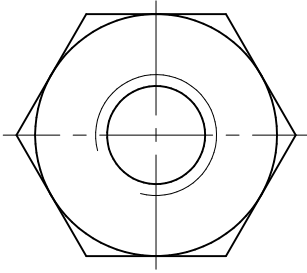
DESCRIPTION  
**AsSNTI  
Plastic Spacer Stud  
Metric internal Thread/Clip**

MATERIAL  
PA-GV, black  
GENERAL TOLERANCE  
DIN ISO 2768 T1m  
ORDER CODE  
973 xxx xx5

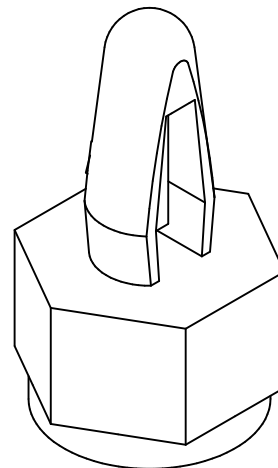
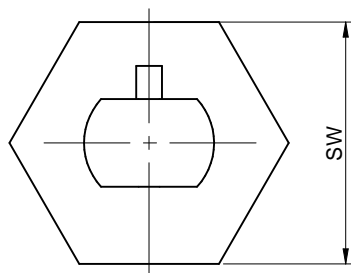
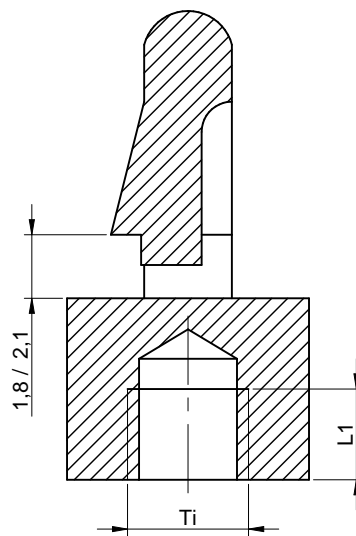
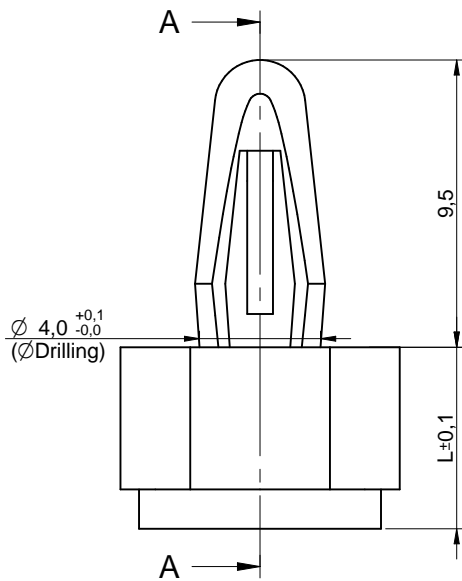
WEIGHT STATUS  
Released

REV DATE  
1.0 2015-02-18

PAGE  
DE 1 / 1



Order Code	L (mm)	L <sub>1</sub> (mm)	Thread Size	SW
973060485	6	3.0	M 4.0	SW 8
973070485	7	3.5	M 4.0	SW 8
973080485	8	4.0	M 4.0	SW 8
973090485	9	4.5	M 4.0	SW 8
973100485	10	5.0	M 4.0	SW 8
973110485	11	5.5	M 4.0	SW 8
973120485	12	6.0	M 4.0	SW 8
973130485	13	6.5	M 4.0	SW 8
973140485	14	7.0	M 4.0	SW 8
973150485	15	7.5	M 4.0	SW 8
973160485	16	8.0	M 4.0	SW 8
973170485	17	8.5	M 4.0	SW 8
973180485	18	9.0	M 4.0	SW 8
973190485	19	9.5	M 4.0	SW 8
973200485	20	10.0	M 4.0	SW 8
973500485	50	10.0	M 4.0	SW 8



Würth Elektronik eiSos GmbH & Co. KG  
EMC & Inductive Solutions

Max-Eyth-Str. 1  
74638 Waldenburg  
Germany  
Tel. +49 79 42 945 - 0

www.we-online.com  
eiSos@we-online.com



CREATED  
D. Fandrey

CHECKED  
S. Klingler

PROJECTION METHOD SCALE 4 : 1

DESCRIPTION  
**AsSNTI  
Plastic Spacer Stud  
Metric internal Thread/Clip**

MATERIAL  
PA-GV, black  
GENERAL TOLERANCE  
DIN ISO 2768 T1m  
ORDER CODE  
973 xxx xx5

WEIGHT STATUS  
Released

REV DATE  
1.0 2015-02-18

PAGE  
DE 1 / 1

## X-ON Electronics

Largest Supplier of Electrical and Electronic Components

*Click to view similar products for [Standoffs & Spacers](#) category:*

*Click to view products by [Phoenix Contact](#) manufacturer:*

Other Similar products are found below :

[588-6208-02](#) [599-9844-02](#) [M0516-3-N](#) [M0518-3-N](#) [M0521-3-N](#) [M0524-3-N](#) [M0532-35-N](#) [M0543-4-AL](#) [M0544-35-N](#) [M0544-3-N](#) [M0545-3-AL](#) [M0553-3-N](#) [M0608-5-SS](#) [M0609-5-SS](#) [M0651-5-SS](#) [M0653-35-N](#) [M0654-4-SS](#) [M0655-5-AL](#) [M0658-35-AL](#) [M0660-4-AL](#) [M0660-4-N](#) [M0670-35-N](#) [M0671-5-N](#) [M0671-5-SS](#) [M0722-5-N](#) [M0725-6-N](#) [M0904-B-25-AL](#) [M1273-2545-AL](#) [M1273-2545-SS](#) [M1273-3005-AL](#) [M1273-3005-SS](#) [M1274-3005-AL](#) [60187](#) [60202-SP](#) [60273](#) [60335-SP](#) [60348-SP](#) [60419-SP](#) [60425-SP](#) [60473-SP](#) [60475-SP](#) [60477-SP](#) [60489-SP](#) [60491-SP](#) [60585-SP](#) [60762-SP](#) [60763-SP](#) [60872-SP](#) [M1303-3506-AL](#) [M1307-3506-AL](#)