

PCB plug - DMCC 0,5/ 4-ST-SHL 7,0- 2,54 - 1145726

<https://www.phoenixcontact.com/in/products/1145726>

Please be informed that the data shown in this PDF document is generated from our Online Catalog. Please find the complete data in the user documentation. Our General Terms of Use for Downloads are valid.



PCB connector, nominal cross section: 0.34 mm², color: black, nominal current: 6 A, rated voltage (III/2): 160 V, type of contact: Female connector, Number of rows: 2, Number of positions per row: 4, product range: DMCC 0,5/..-ST-SHL, pitch: 2.54 mm, connection method: Crimp connection, conductor/PCB connection direction: 0 °, Stecksystem: MICRO COMBICON - DFMC 0,5 lock & shielded, Electrical properties: shielded, Locking: shielded connection, type of packaging: packed in cardboard

Your advantages

- Cost-effective connection of crimped conductors in large quantities
- Gold-plated contacts ensure transfer quality remains stable over the long term
- Contacts arranged in a double row enable high packing density in a compact area
- Tools for manual and automatic crimping available as an option

PCB plug - DMCC 0,5/ 4-ST-SHL 7,0- 2,54 - 1145726



<https://www.phoenixcontact.com/in/products/1145726>

Commercial Data

Order Key	1145726
Packing unit	100 pc
Minimum order quantity	100 pc
Note	Made to Order (non-returnable)
GTIN	4063151136062
Weight per Piece (including packing)	3.4 GRM
Weight per Piece (excluding packing)	2.2 GRM
Customs tariff number	85366990

PCB plug - DMCC 0,5/ 4-ST-SHL 7,0-2,54 - 1145726

<https://www.phoenixcontact.com/in/products/1145726>

Technical Data

Electrical tests

Thermal test | Test group C

Specification	IEC 60512-5-1:2002-02
Tested number of positions	2

Electrical properties

Rated voltage (III/2)	160 V
Rated surge voltage (III/2)	2.5 kV
Contact resistance	5.2 mΩ
Pollution degree	2

Air clearances and creepage distances |

Specification	IEC 60664-1:2007-04
Insulating material group	I
Comparative tracking index (IEC 60112:2003-01)	CTI 600
Rated insulation voltage (III/3)	160 V
Rated surge voltage (III/3)	2.5 kV
minimum clearance value - non-homogenous field (III/3)	1.5 mm
minimum creepage distance (III/3)	2 mm
Rated insulation voltage (III/2)	160 V
Rated surge voltage (III/2)	2.5 kV
minimum clearance value - non-homogenous field (III/2)	1.5 mm
minimum creepage distance (III/2)	1.5 mm
Rated insulation voltage (II/2)	320 V
Rated surge voltage (II/2)	2.5 kV
minimum clearance value - non-homogenous field (II/2)	1.5 mm
minimum creepage distance (II/2)	1.6 mm

Electrical properties

Nominal current I_N	6 A
-----------------------	-----

Packaging specifications

Type of packaging	packed in cardboard
-------------------	---------------------

Environmental and real-life conditions

Ambient temperature (storage/transport)	-20 °C ... 70 °C
Ambient temperature (assembly)	-5 °C ... 80 °C
Ambient temperature (installation)	-40 °C ... 80 °C (dependent on the derating curve)
Ambient temperature (mobile installation)	-20 °C 80 °C dependent on the derating curve

Durability test

Specification	IEC 60512-9-1:2010-03
---------------	-----------------------

PCB plug - DMCC 0,5/ 4-ST-SHL 7,0-2,54 - 1145726

<https://www.phoenixcontact.com/in/products/1145726>

Impulse withstand voltage at sea level	2.95 kV
Contact resistance R_1	5.2 m Ω
Contact resistance R_2	4.6 m Ω
Insertion/withdrawal cycles	100
Insulation resistance, neighboring positions	> 1.3 T Ω

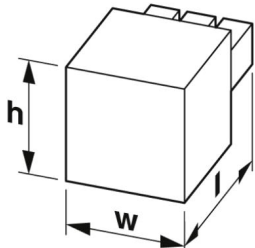
Climatic test

Specification	ISO 6988:1985-02
Corrosive stress	0.2 dm ³ SO ₂ on 300 dm ³ /40 °C/1 cycle
Thermal stress	80 °C/168 h
Power-frequency withstand voltage	1.39 kV

Vibration test

Specification	IEC 60068-2-6:2007-12
Frequency	10 - 150 - 10 Hz
Sweep speed	1 octave/min
Amplitude	0.35 mm (10 - 60.1 Hz)
Sweep speed	50 m/s ² (60.1 - 150 Hz)
Test duration per axis	2.5 h

Dimensions

Dimensional drawing	
Width	12.22 mm
Height	7.85 mm
Length	33 mm
Pitch	2.54 mm

Ambient conditions

Ambient temperature (storage/transport)	-20 °C ... 70 °C
Ambient temperature (assembly)	-5 °C ... 80 °C
Ambient temperature (installation)	-40 °C ... 80 °C (dependent on the derating curve)
Ambient temperature (mobile installation)	-20 °C 80 °C dependent on the derating curve

Mechanical tests

Contact holder in insert

Specification	IEC 60512-15-1:2008-05
Result	Test passed

PCB plug - DMCC 0,5/ 4-ST-SHL 7,0-2,54 - 1145726

<https://www.phoenixcontact.com/in/products/1145726>

Test force per pos.	20 N
---------------------	------

Polarization and coding

Specification	IEC 60512-13-5:2006-02
Result	Test passed

Insertion and withdrawal forces

Result	Test passed
No. of cycles	100
Insertion strength per pos. approx.	2 N
Withdraw strength per pos. approx.	1 N

Visual inspection

Specification	IEC 60512-1-1:2002-02
Result	Test passed

Resistance of inscriptions

Specification	IEC 60068-2-70:1995-12
Result	Test passed

Dimension check

Specification	IEC 60512-1-2:2002-02
Result	Test passed

Tensile strength of crimp connections

Specification	
Result	Test passed
Conductor cross section/conductor type/tractive force setpoint/actual value	/ flexible / > 40 N

Connection data

Conductor connection

Conductor cross section AWG	22
Stripping length	4.1 mm ... 4.5 mm

Interlock

Locking type	shielded connection
Mounting flange	Lock & Shield

Material specifications

Material data - housing

Housing color	black (9005)
Insulating material	PA
Insulating material group	I
CTI according to IEC 60112	600
Flammability rating according to UL 94	V0

PCB plug - DMCC 0,5/ 4-ST-SHL 7,0-2,54 - 1145726

<https://www.phoenixcontact.com/in/products/1145726>

Glow wire flammability index GWFI according to EN 60695-2-12	850
Glow wire ignition temperature GWIT according to EN 60695-2-13	775
Temperature for the ball pressure test according to EN 60695-10-2	125 °C

Material data - contact

Note	WEEE/RoHS-compliant, free of whiskers according to IEC 60068-2-82/JEDEC JESD 201
Contact material	Cu alloy
Surface characteristics	Selective coating
Metal surface terminal point (top layer)	Tin (3 - 6 µm Sn)
Metal surface contact area (top layer)	Gold (0.25 Au)
Metal surface contact area (middle layer)	Nickel (2 - 4 µm Ni),

Product properties


Number of positions	4
Number of levels	2
Plug-in system	MICRO COMBICON - DFMC 0,5 lock & shielded
Electrical characteristic	shielded

PCB plug - DMCC 0,5/ 4-ST-SHL 7,0-2,54 - 1145726



<https://www.phoenixcontact.com/in/products/1145726>

Approvals

IECEE CB Scheme 


Nominal voltage U_N	160 V
Nominal current I_N	6 A
AWG/kcmil	0.14-.75
Min. cross section	0.14 mm ²
Max. cross section	0.75 mm ²

VDE Gutachten mit Fertigungsüberwachung 

Nominal voltage U_N	160 V
Nominal current I_N	6 A
AWG/kcmil	0.14-.75
Min. cross section	0.14 mm ²
Max. cross section	0.75 mm ²

cULus Recognized 

Usegroup	B	D
Nominal voltage U_N	150 V	150 V
Nominal current I_N	6 A	6 A
AWG/kcmil	0.14-.75	0.14-.75
Min. cross section	26 mm ²	26 mm ²
Max. cross section	18 mm ²	18 mm ²

EAC 

PCB plug - DMCC 0,5/ 4-ST-SHL 7,0- 2,54 - 1145726

<https://www.phoenixcontact.com/in/products/1145726>

Accessories

Crimp contact

Crimp contact - MCC 0,5-MP AU 0,14-0,5 - 1013425



Crimp contact, nominal current: 6 A, type of contact: Female connector, connection method:
Crimp connection, contact surface: Gold, type of packaging: Bulk goods

Crimp contact

Crimp contact - MCC 0,5-MP AU 0,14-0,5 R - 1013420



Crimp contact, nominal current: 6 A, type of contact: Female connector, connection method:
Crimp connection, contact surface: Gold, type of packaging: Belt

Crimp contact

Crimp contact - MCC 0,5-MP AU 0,34-0,75 - 1013419

PCB plug - DMCC 0,5/ 4-ST-SHL 7,0-2,54 - 1145726

<https://www.phoenixcontact.com/in/products/1145726>



Crimp contact, nominal current: 6 A, type of contact: Female connector, connection method: Crimp connection, contact surface: Gold, type of packaging: Bulk goods

Crimp contact

Crimp contact - MCC 0,5-MP AU 0,34-0,75 R - 1013418



Crimp contact, nominal current: 6 A, type of contact: Female connector, connection method: Crimp connection, contact surface: Gold, type of packaging: Belt

Crimping tool

Crimping tool - CRIMPFOX-P CC 0.75 L - 1064998



Crimping pliers, for COMBICON crimp connectors with cross section: 0.14 ... 0.75 mm².
Unlockable pressure lock, precise parallel crimping, front entry, B crimp, incl. 2 positioning aids

PCB plug - DMCC 0,5/ 4-ST-SHL 7,0- 2,54 - 1145726



<https://www.phoenixcontact.com/in/products/1145726>

Phoenix Contact 2020 © - all rights reserved
<https://www.phoenixcontact.com>

PHOENIX CONTACT (I) Pvt. Ltd.
A-58/2, Okhla Industrial Area, Phase - II, New Delhi-110 020

+91.11.30262800
info@phoenixcontact.co.in

X-ON Electronics

Largest Supplier of Electrical and Electronic Components

Click to view similar products for [Pluggable Terminal Blocks](#) category:

Click to view products by [Phoenix Contact](#) manufacturer:

Other Similar products are found below :

[57.510.0053](#) [MC 1.5/ 6-ST-3.5 GY AU](#) [734-104](#) [734-302](#) [8-141-P](#) [8426620000](#) [860505](#) [860810](#) [GBPACX-12](#) [93.731.4953.0](#) [PV05-5,08-K](#)
[PVP02-5,00](#) [PVP03-3,50](#) [PVP04-3,50](#) [PVS02-5,00](#) [1-1986160-3](#) [1377680000](#) [1531000000](#) [1546228-5](#) [ELFH16150](#) [ELFP03110](#)
[ELFP10210](#) [ELFT06250](#) [ELVP03100](#) [1700101](#) [1700410](#) [1700425](#) [1702246](#) [1705229](#) [1710175](#) [1714537](#) [1717806](#) [1719600](#) [1728941](#)
[1734692](#) [1734795](#) [1736036](#) [1740194](#) [1740291](#) [1740628](#) [1740990](#) [1746952](#) [1750207](#) [1752441](#) [1752865](#) [1754115](#) [1754144](#) [1756913](#)
[1760051](#) [1760336](#)