

Screwdriver - SZK PH0 VDE - 1205147

Please be informed that the data shown in this PDF Document is generated from our Online Catalog. Please find the complete data in the user's documentation. Our General Terms of Use for Downloads are valid (<http://phoenixcontact.com/download>)




Screwdriver, PH crosshead, VDE insulated, size: PH 0 x 80 mm, 2-component grip, with non-slip grip

Your advantages

- VDE approval
- Screwdrivers for Phillips screws with Pozidriv and Phillips Recess screw head

Key Commercial Data

| | |
|--------------|---|
| Packing unit | 10 pc |
| GTIN |  4 017918 019150 |
| GTIN | 4017918019150 |

Technical data

Dimensions

| | |
|--------------|--------|
| Length (b) | 161 mm |
| Width (a) | 26 mm |
| Blade width | 3 mm |
| Blade height | 80 mm |
| Wrench size | 0 mm |

General

| | |
|---------------|----------------------------------|
| Type | Phillips |
| | straight |
| Material | alloyed tool steel |
| Test standard | DIN/ISO 8764-1 PH IEC 60900:2004 |
| Weight | 30 g |

Standards and Regulations

| | |
|---------------|----------------------------------|
| Test standard | DIN/ISO 8764-1 PH IEC 60900:2004 |
|---------------|----------------------------------|

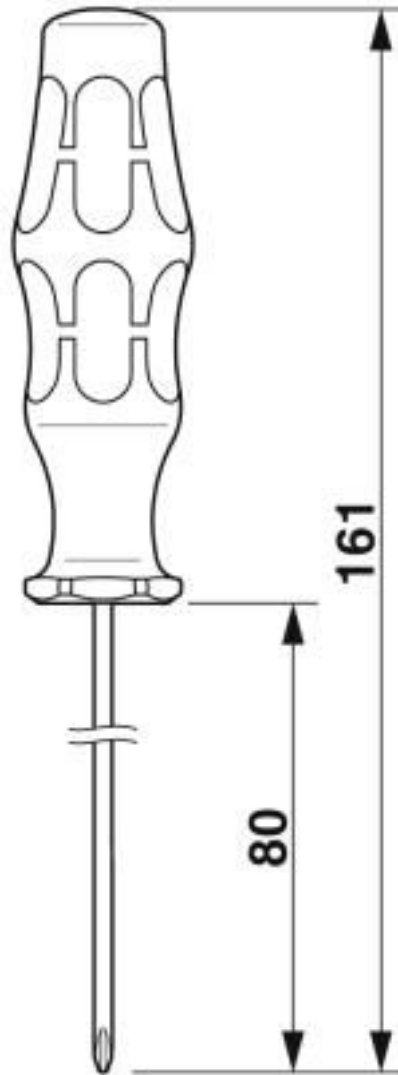
Environmental Product Compliance

| | |
|---------------------------|---|
| California Proposition 65 | Further information on California's prop. 65 is available under "Downloads" in the manufacturer's declaration |
|---------------------------|---|

Screwdriver - SZK PH0 VDE - 1205147

Drawings

Dimensional drawing



Screwdriver - SZK PH0 VDE - 1205147

Pictogram



Classifications

eCl@ss

| | |
|---------------|----------|
| eCl@ss 10.0.1 | 21040406 |
| eCl@ss 4.0 | 21040400 |
| eCl@ss 4.1 | 21040400 |
| eCl@ss 5.0 | 21040400 |
| eCl@ss 5.1 | 21040400 |
| eCl@ss 6.0 | 21040400 |
| eCl@ss 7.0 | 21040406 |
| eCl@ss 8.0 | 21040406 |
| eCl@ss 9.0 | 21040406 |

Screwdriver - SZK PH0 VDE - 1205147

Classifications

ETIM

| | |
|----------|----------|
| ETIM 2.0 | EC000158 |
| ETIM 3.0 | EC000158 |
| ETIM 4.0 | EC000144 |
| ETIM 5.0 | EC000144 |
| ETIM 6.0 | EC000144 |
| ETIM 7.0 | EC000144 |

UNSPSC

| | |
|---------------|----------|
| UNSPSC 6.01 | 27111701 |
| UNSPSC 7.0901 | 27111701 |
| UNSPSC 11 | 27111701 |
| UNSPSC 12.01 | 27111701 |
| UNSPSC 13.2 | 27111701 |
| UNSPSC 18.0 | 27111701 |
| UNSPSC 19.0 | 27111701 |
| UNSPSC 20.0 | 27111701 |
| UNSPSC 21.0 | 27111701 |

Approvals

Approvals

Approvals

VDE Zeichengenehmigung / EAC

Ex Approvals

Approval details

| | | | |
|------------------------|--|---|--------|
| VDE Zeichengenehmigung | | http://www2.vde.com/de/Institut/Online-Service/VDE-gepruefteProdukte/Seiten/Online-Suche.aspx | 086858 |
|------------------------|--|---|--------|

| | | |
|-----|--|--------------------------|
| EAC | | RU x- DE.xx08.B.02974 |
|-----|--|--------------------------|

Phoenix Contact 2020 © - all rights reserved
<http://www.phoenixcontact.com>

PHOENIX CONTACT GmbH & Co. KG
Flachsmarktstr. 8
32825 Blomberg
Germany
Tel. +49 5235 300
Fax +49 5235 3 41200
<http://www.phoenixcontact.com>

X-ON Electronics

Largest Supplier of Electrical and Electronic Components

Click to view similar products for [Screwdrivers, Nut Drivers & Socket Drivers](#) category:

Click to view products by [Phoenix Contact](#) manufacturer:

Other Similar products are found below :

[272012M](#) [27850](#) [CE-16-03400-00-HNDLE-TORQ](#) [323451-000](#) [HMM-HH](#) [WUVT-1-120AC-P](#) [00-8987-YWPP](#) [TS-35](#) [32024](#) [XW4Z-00B](#)
[49-22-4073](#) [96025](#) [96030](#) [96560](#) [96430](#) [31830](#) [92270](#) [96012](#) [96436](#) [96536](#) [92064](#) [72820](#) [96520](#) [92040](#) [96416](#) [96570](#) [72823](#) [96525](#) [96720](#)
[31832](#) [92020](#) [96523](#) [96510](#) [96427](#) [92073](#) [92052](#) [72905](#) [72741](#) [72663](#) [32061](#) [30751](#) [KLEIN TOOLS SCREWDRIVER 4-IN-1](#) [612020B](#) [35-](#)
[045](#) [6951](#) [83](#) [9058](#) [9977](#) [EMF](#) [PTE6](#)