

DIN rail perforated - NS 35/ 7,5 PERF 2M NZ REF CUT - 1210239


Please be informed that the data shown in this PDF Document is generated from our Online Catalog. Please find the complete data in the user's documentation. Our General Terms of Use for Downloads are valid (<http://phoenixcontact.com/download>)



DIN rail perforated, Standard profile, width: 35 mm, height: 7.5 mm, acc. to EN 60715, material: Steel, galvanized, length: 2000 mm, color: silver

RoHS

Key Commercial Data

| | |
|------------------------|---|
| Packing unit | 5 pc |
| Minimum order quantity | 5 pc |
| GTIN |  4 046356 528580 |
| GTIN | 4046356528580 |

Technical data

Dimensions

| | |
|--------------------|----------|
| Height | 7.5 mm |
| Length | 2000 mm |
| Width | 35 mm |
| Hole width | 15.00 mm |
| Hole height | 6.20 mm |
| Drill hole spacing | 25.00 mm |

General

| | |
|---|------------|
| Material | Steel |
| Coating | galvanized |
| Color | silver |
| Max. permissible thermal nominal current for PEN function | 150.00 A |

Standards and Regulations

| | |
|---------------|------------------|
| Test standard | acc. to EN 60715 |
|---------------|------------------|

Environmental Product Compliance

| | |
|------------|---|
| China RoHS | Environmentally friendly use period: unlimited = EFUP-e |
|------------|---|

DIN rail perforated - NS 35/ 7,5 PERF 2M NZ REF CUT - 1210239

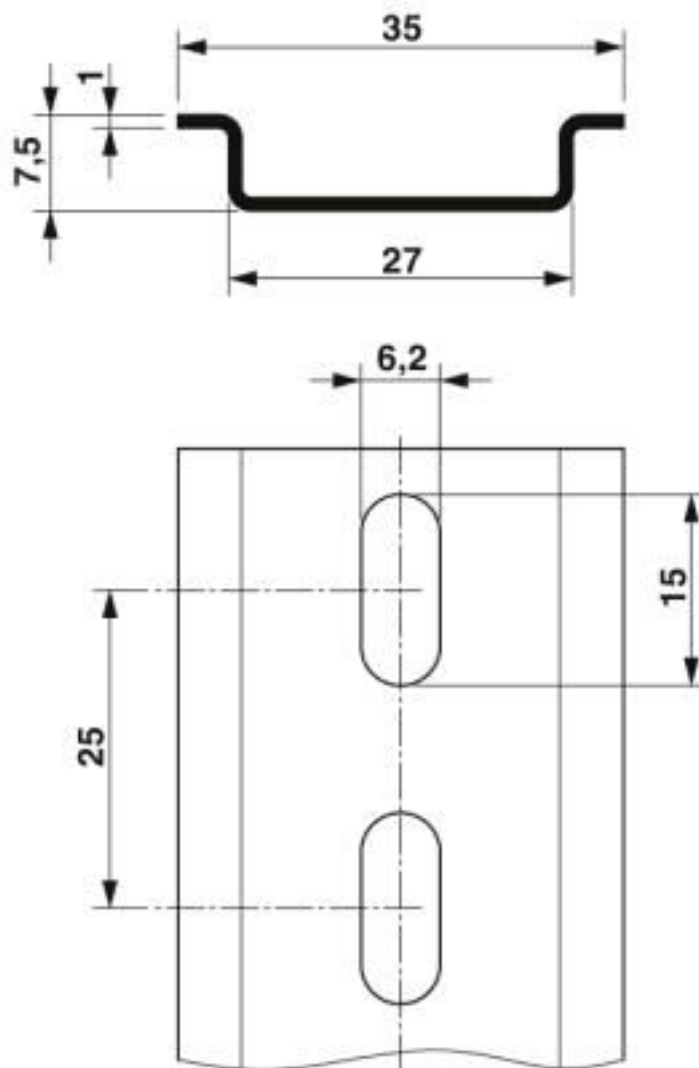
Technical data

Environmental Product Compliance

| | |
|--|--|
| | No hazardous substances above threshold values |
|--|--|

Drawings

Dimensional drawing



Classifications

eCl@ss

| | |
|---------------|----------|
| eCl@ss 10.0.1 | 27400602 |
| eCl@ss 4.0 | 27110800 |
| eCl@ss 4.1 | 27110800 |
| eCl@ss 5.0 | 27141100 |

DIN rail perforated - NS 35/ 7,5 PERF 2M NZ REF CUT - 1210239

Classifications

eCl@ss

| | |
|------------|----------|
| eCl@ss 5.1 | 27141100 |
| eCl@ss 6.0 | 27400600 |
| eCl@ss 7.0 | 27400602 |
| eCl@ss 8.0 | 27400602 |
| eCl@ss 9.0 | 27400602 |

ETIM

| | |
|----------|----------|
| ETIM 2.0 | EC001285 |
| ETIM 3.0 | EC001285 |
| ETIM 4.0 | EC000212 |
| ETIM 5.0 | EC000212 |
| ETIM 6.0 | EC001285 |
| ETIM 7.0 | EC001285 |

UNSPSC

| | |
|---------------|----------|
| UNSPSC 6.01 | 30212109 |
| UNSPSC 7.0901 | 39121708 |
| UNSPSC 11 | 39121708 |
| UNSPSC 12.01 | 39121708 |
| UNSPSC 13.2 | 39121708 |
| UNSPSC 18.0 | 39121708 |
| UNSPSC 19.0 | 39121708 |
| UNSPSC 20.0 | 39121708 |
| UNSPSC 21.0 | 39121708 |

Phoenix Contact 2020 © - all rights reserved
<http://www.phoenixcontact.com>

PHOENIX CONTACT GmbH & Co. KG
Flachsmarktstr. 8
32825 Blomberg
Germany
Tel. +49 5235 300
Fax +49 5235 3 41200
<http://www.phoenixcontact.com>

X-ON Electronics

Largest Supplier of Electrical and Electronic Components

Click to view similar products for [Mounting Fixings](#) category:

Click to view products by [Phoenix Contact](#) manufacturer:

Other Similar products are found below :

[5912235-1 REV](#) - [5912235-2](#) [007541](#) [627](#) [M3783-7001](#) [71-074914-006](#) [71-146610-6H](#) [71-441549-19S](#) [75-69211-3P](#) [75-69214-6P](#) [75-69220-27S](#) [75-69224-5S](#) [7717-8DAP](#) [85047GULPT](#) [85048GBESR](#) [FPK-02-R10](#) [PMS27488-001-01](#) [1-18023-0](#) [H-118-2](#) [D83999/20WC8SN](#)
[DB1](#) [1302030464](#) [DC31-14W19PN](#) [DC31-14W19PW](#) [DC32-18W32SN](#) [DC36-18-32SW](#) [DC36-18-32SX](#) [DC37-14-19PW](#) [DC37-22-21PX](#)
[1302010957](#) [1302263564](#) [1302340393](#) [1404-0016-78](#) [14540](#) [149331-9811](#) [1561-60](#) [1566](#) [1566](#) [17542](#) [BR16A](#) [HS5659MB98PN](#)
[NT20SATT01](#) [201C5058-01-201 REV E](#) [22594-8](#) [KBB-141](#) [89078GBESR](#) [915060](#) [SF4011-60101](#) [97-CS-50](#) [1671](#)