

## Ferrule - Al 0,75- 8 GY-S - 1212522

Please be informed that the data shown in this PDF Document is generated from our Online Catalog. Please find the complete data in the user's documentation. Our General Terms of Use for Downloads are valid (<http://phoenixcontact.com/download>)



Band ferrules, 0.75 mm<sup>2</sup>, sleeve length 8 mm, with plastic collar, according to DIN 46228-4, color: gray, equipped with function end for safe and convenient processing with the Crimphandy, 20 strips with 50 sleeves per strip.

### Your advantages

- ✓ The corresponding taped ferrules for the CRIMPHANDY are suitable for use on all modular terminal blocks, particularly those from the CLIPLINE complete system
- ✓ The ferrules with plastic sleeve are made from soft tin-plated electrolytic copper
- ✓ The insulation reliability of close connections is increased and the splicing of wires is prevented

### Key Commercial Data

Packing unit	1000 pc
Minimum order quantity	1000 pc
GTIN	
GTIN	4046356589628

### Technical data

#### Dimensions

Length (b)	14 mm
Sleeve length	8 mm
Inner dimension of the insulating collar (d)	2.8 mm
Ferrule diameter	1.3 mm
Insulating collar thickness	0.25 mm
Sleeve wall thickness	0.15 mm

#### Ambient conditions

Short-term temperature	120 °C
Max. permanent temperature	105 °C (-40°C no load / 0°C dynamic load)

#### General

Color	gray
-------	------

# Ferrule - Al 0,75- 8 GY-S - 1212522

## Technical data

### General

Components	free from silicone and halogen
Flammability rating according to UL 94	HB
Material	CU-DHP
Coating	tin-plated (galvanic)
Conductor category	Stranded conductors, class 2, 5, 6 / B, C, K, M

### Standards and Regulations

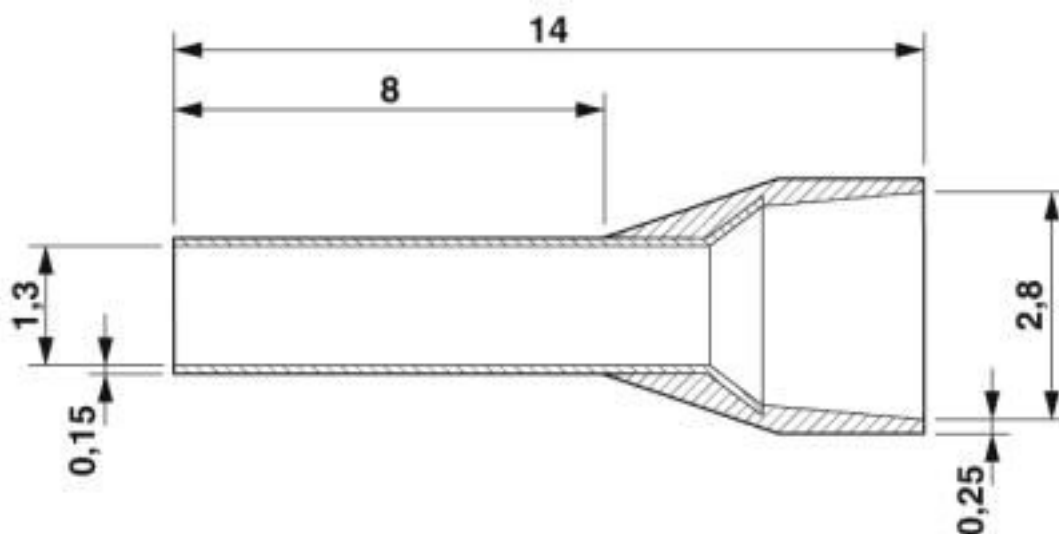
Flammability rating according to UL 94	HB
Design according to standard	DIN 46228-4:2017-05

### Environmental Product Compliance

China RoHS	Environmentally friendly use period: unlimited = EFUP-e
	No hazardous substances above threshold values

## Drawings

Dimensional drawing



## Classifications

### eCl@ss

eCl@ss 10.0.1	27400201
eCl@ss 4.0	27060700
eCl@ss 4.1	27060700
eCl@ss 5.0	27400200
eCl@ss 5.1	27400200
eCl@ss 6.0	27400200
eCl@ss 7.0	27400201

# Ferrule - AI 0,75- 8 GY-S - 1212522

## Classifications

### eCl@ss

eCl@ss 8.0	27400201
eCl@ss 9.0	27400201

### ETIM

ETIM 2.0	EC000005
ETIM 3.0	EC000005
ETIM 4.0	EC000005
ETIM 5.0	EC000005
ETIM 6.0	EC000005
ETIM 7.0	EC000005

### UNSPSC

UNSPSC 6.01	30212109
UNSPSC 7.0901	27121703
UNSPSC 11	27121703
UNSPSC 12.01	27121703
UNSPSC 13.2	27121703
UNSPSC 18.0	27121703
UNSPSC 19.0	27121703
UNSPSC 20.0	27121703
UNSPSC 21.0	27121703

## Approvals

### Approvals

---

#### Approvals

CSA / UL Listed / cUL Listed / cULus Listed


---

#### Ex Approvals

---


### Approval details

CSA		<a href="http://www.csagroup.org/services-industries/product-listing/">http://www.csagroup.org/services-industries/product-listing/</a>	247397
-----	---	---	--------

UL Listed		<a href="http://database.ul.com/cgi-bin/XYV/template/LISEXT/1FRAME/index.htm">http://database.ul.com/cgi-bin/XYV/template/LISEXT/1FRAME/index.htm</a>	E488001
-----------	---	---	---------

## Ferrule - AI 0,75- 8 GY-S - 1212522

### Approvals

cUL Listed		<a href="http://database.ul.com/cgi-bin/XYV/template/LISEXT/1FRAME/index.htm">http://database.ul.com/cgi-bin/XYV/template/LISEXT/1FRAME/index.htm</a>	E488001
------------	---	---	---------

cULus Listed			
--------------	---	--	--

Phoenix Contact 2020 © - all rights reserved  
<http://www.phoenixcontact.com>

PHOENIX CONTACT GmbH & Co. KG  
Flachsmarktstr. 8  
32825 Blomberg  
Germany  
Tel. +49 5235 300  
Fax +49 5235 3 41200  
<http://www.phoenixcontact.com>

## X-ON Electronics

Largest Supplier of Electrical and Electronic Components

*Click to view similar products for [Unspecified Connectors](#) category:*

*Click to view products by [Phoenix Contact](#) manufacturer:*

Other Similar products are found below :

[1-21107-1](#) [RAD-OUT-8D-REL](#) [RF-17S1N8A80DU](#) [1409899](#) [PSC-28-1](#) [38111](#) [403000A10M050](#) [1-1589688-1](#) [5102110](#) [1200110](#) [1200113](#)  
[578286](#) [578272](#) [578411](#) [NPQP-D-R18-Q4-FD-P10](#) [NPQP-D-R18-Q6-FD-P10](#) [NPQP-L-R14-Q6-FD-P10](#) [NPQP-L-R18-Q6-FD-P10](#) [190647](#)  
[153341](#) [153322](#) [130642](#) [153169](#) [RC-Z2068](#) [RAD-900-CONF-RF1](#) [RAD-CON-SMA-N-SS](#) [RAD-PIG-EF316-N-RSMA](#) [RAD-ISM-2400-](#)  
[ANT-VAN-3-0-R](#) [RIF-0-RPT-12DC/21](#) [RIF-1-BPT/2X21](#) [RIF-RH-1](#) [801377](#) [803579](#) [710-00007](#) [122.005-6](#) [122.012-10](#) [122.012-16](#)  
[122.018-10](#) [125.012-14](#) [149.012](#) [2090](#) [1/2-1/8](#) [259.03SB-25](#) [259.04SB-25](#) [259.05SB-25](#) [259.09SB-25](#) [259.11SB-25](#) [259.12SB-25](#) [259.13SB-](#)  
[25](#) [259.17SB-25](#) [259.18SB-25](#)