

## Sensor/actuator cable - SAC-3P-10,0-PUR/A-1L-R - 1400799

Please be informed that the data shown in this PDF Document is generated from our Online Catalog. Please find the complete data in the user's documentation. Our General Terms of Use for Downloads are valid (<http://phoenixcontact.com/download>)




Sensor/actuator cable, 3-position, PUR halogen-free, black-gray RAL 7021, free cable end, on Valve connector A, with 1 LED, connected with Damping diode, cable length: 10 m

### Your advantages

- ✓ Easy and safe: 100% electrically tested plug-in components
- ✓ Robust valve connector with freewheeling diode as protective circuit
- ✓ Convenient: increased machine availability thanks to quick and easy diagnostics
- ✓ Our standard: robust halogen-free PUR cable



### Key Commercial Data

|              |   |
|--------------|---|
| Packing unit | 1 pc  |
| GTIN         | <br>4 046356 510301 |
| GTIN         | 4046356510301   |

### Technical data

#### Dimensions

|                 |      |
|-----------------|------|
| Length of cable | 10 m |
|-----------------|------|

#### Ambient conditions

|                                 |                               |
|---------------------------------|-------------------------------|
| Ambient temperature (operation) | -20 °C ... 85 °C (valve plug) |
| Degree of protection            | IP65                          |
|                                 | IP67                          |

#### General

|                       |          |
|-----------------------|----------|
| Rated current at 40°C | 2 A      |
| Rated voltage         | 24 V DC  |
| Number of positions   | 3        |
| Color handle area     | black    |
| Insulation resistance | ≥ 100 MΩ |

# Sensor/actuator cable - SAC-3P-10,0-PUR/A-1L-R - 1400799

## Technical data

### General

|                              |                               |
|------------------------------|-------------------------------|
| Standards/regulations        | Valve connector EN 175301-803 |
| Status display               | 1 LED                         |
| Protective circuit/component | Damping diode                 |
| Overvoltage category         | III                           |
| Degree of pollution          | 3                             |
| Torque                       | 0.6 Nm (Valve connector)      |

### Material

|  |                   |
|--|-------------------|
| Flammability rating according to UL 94 | V0                |
| Valve plug contact material            | CuSn              |
| Valve plug contact surface material    | Sn                |
| Valve plug contact insert material     | PA 6.6            |
| Material housing valve plug            | TPU               |
| Sealing material                       | TPU (Seal molded) |

### Standards and Regulations

|  |                               |
|--|-------------------------------|
| Standards/specifications               | Valve connector EN 175301-803 |
| Flammability rating according to UL 94 | V0                            |

### Cable

|   |                                |
|---|--------------------------------|
| Cable type                                  | PUR halogen-free black         |
| Cable type (abbreviation)                   | PUR                            |
| Cable abbreviation                          | Li9Y11Y-HF                     |
| UL AWM style                                | 20549                          |
| Conductor cross section                     | 3x 0.5 mm <sup>2</sup>         |
| AWG signal line                             | 20                             |
| Conductor structure signal line             | 28x 0.15 mm                    |
| Core diameter including insulation          | 1.5 mm ±0.05 mm (Signal line)  |
| Wire colors                                 | black 1, black 2, green/yellow |
| Overall twist                               | 3 wires, twisted               |
| External sheath, color                      | black-gray RAL 7021            |
| External cable diameter D                   | 4.5 mm ±0.2 mm                 |
| Smallest bending radius, fixed installation | 22.5 mm                        |
| Number of bending cycles                    | 15000000                       |
| Bending radius                              | 50 mm                          |
| Traversing path                             | 0.9 m                          |
| Traversing rate                             | 5 m/s                          |
| Acceleration                                | 30 m/s <sup>2</sup>            |
| Outer sheath, material                      | PUR                            |
| Material conductor insulation               | PP                             |
| Conductor material                          | Bare Cu litz wires             |
| Insulation resistance                       | min. 20 MΩ*km                  |

## Sensor/actuator cable - SAC-3P-10,0-PUR/A-1L-R - 1400799

### Technical data

#### Cable

|                                 |  |
|---------------------------------|--|
| Conductor resistance            | 39 $\Omega$ /km (at 20 °C)                                 |
| Nominal voltage, cable          | $\leq$ 300 V   |
| Test voltage, cable             | $\geq$ 1200 V  |
| Flame resistance                | according to DIN VDE 0482                                  |
|                                 | According to DIN EN 50265-2-1                              |
| Halogen-free                    | in accordance with DIN VDE 0472 part 815                   |
| Other resistance                | largely oil-resistant                                      |
|                                 | partly UV-resistant in accordance with DIN EN ISO 4892-2-A |
| Ambient temperature (operation) | -40 °C ... 80 °C (cable, fixed installation)               |
|                                 | -20 °C ... 80 °C (cable, flexible installation)            |

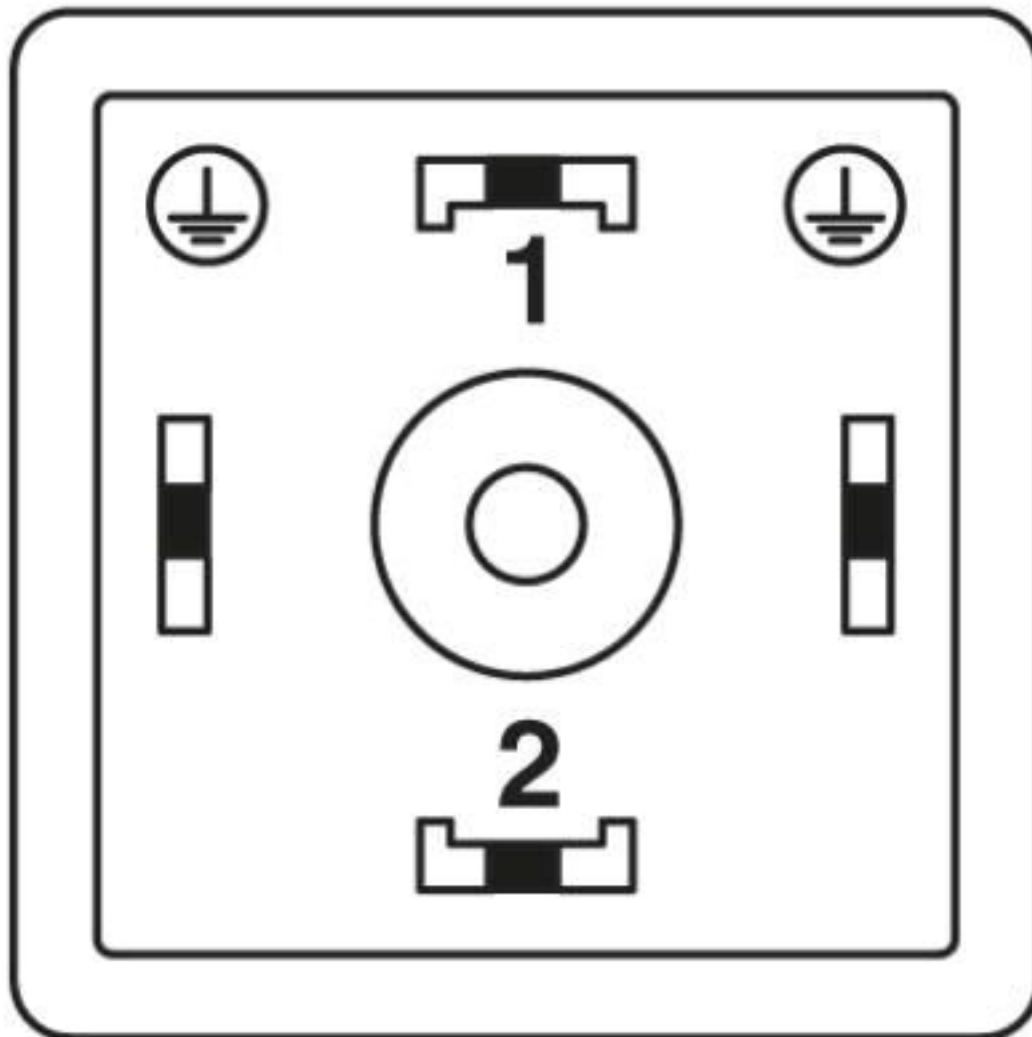
#### Environmental Product Compliance

|            |   |
|------------|---|
| China RoHS | Environmentally Friendly Use Period = 50 years  |
|            | For details about hazardous substances go to tab "Downloads", Category "Manufacturer's declaration" |

#### Drawings

# Sensor/actuator cable - SAC-3P-10,0-PUR/A-1L-R - 1400799

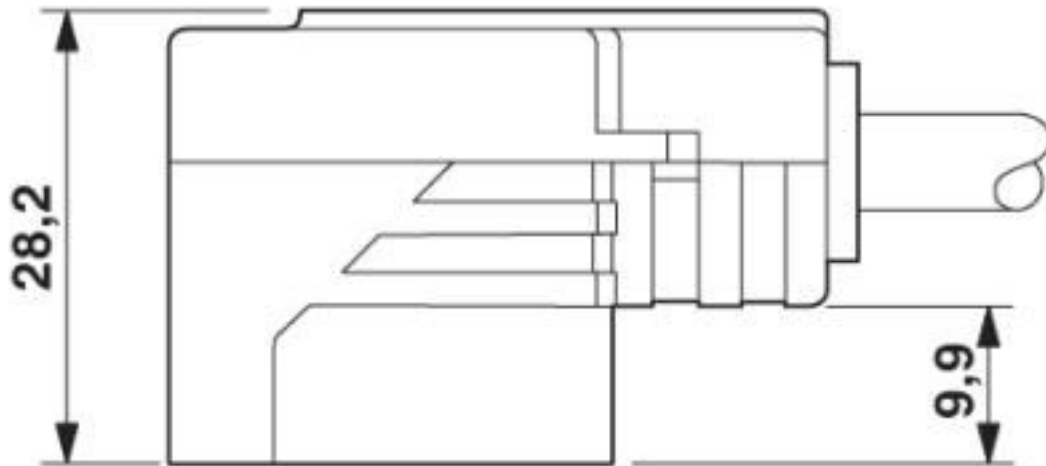
Schematic diagram



Valve connector pin assignment, type A

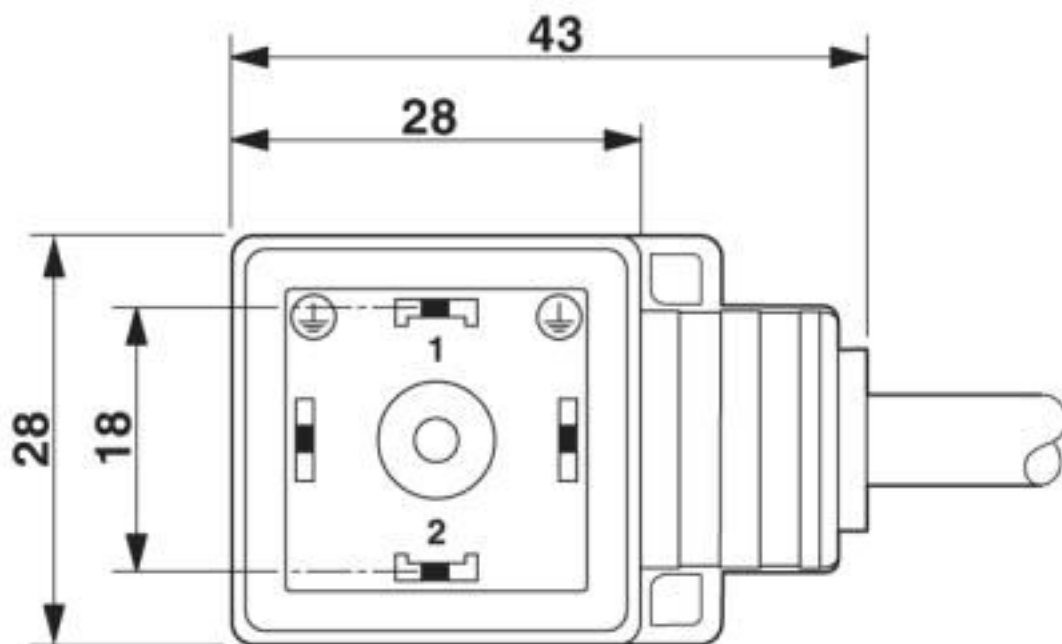
## Sensor/actuator cable - SAC-3P-10,0-PUR/A-1L-R - 1400799

Dimensional drawing



Valve connector, type A, side view

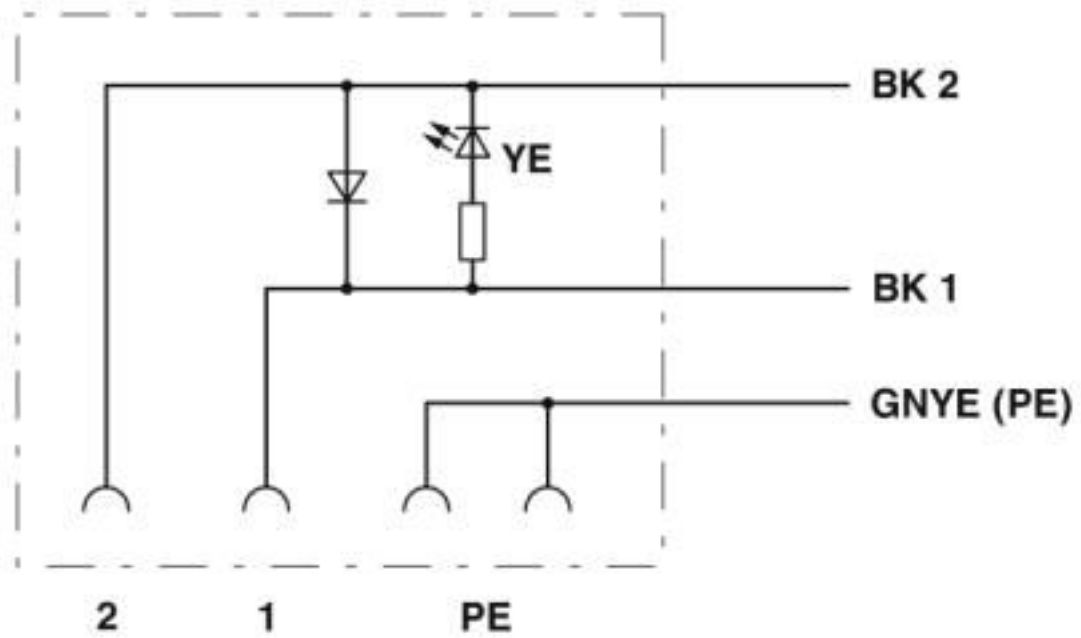
Dimensional drawing



Valve connector, type A

## Sensor/actuator cable - SAC-3P-10,0-PUR/A-1L-R - 1400799

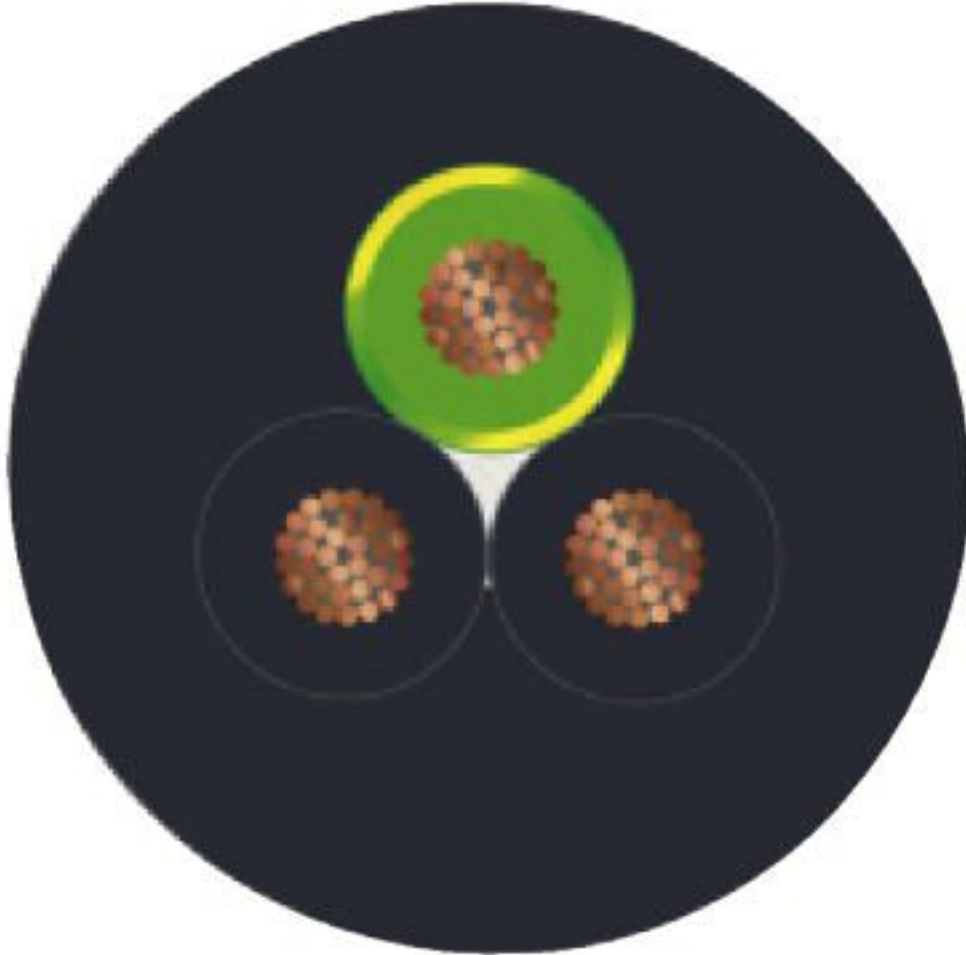
Circuit diagram



Contact assignment of the valve plug

# Sensor/actuator cable - SAC-3P-10,0-PUR/A-1L-R - 1400799

Cable cross section



PUR halogen-free black [PUR]

## Classifications

eCl@ss

|               |          |
|---------------|----------|
| eCl@ss 10.0.1 | 27060312 |
| eCl@ss 4.0    | 27060300 |
| eCl@ss 4.1    | 27060300 |
| eCl@ss 5.0    | 27061800 |
| eCl@ss 5.1    | 27061800 |
| eCl@ss 6.0    | 27279200 |
| eCl@ss 7.0    | 27279218 |
| eCl@ss 8.0    | 27279218 |
| eCl@ss 9.0    | 27060312 |

# Sensor/actuator cable - SAC-3P-10,0-PUR/A-1L-R - 1400799

## Classifications

### ETIM

|          |          |
|----------|----------|
| ETIM 3.0 | EC001855 |
| ETIM 4.0 | EC001855 |
| ETIM 5.0 | EC001855 |
| ETIM 6.0 | EC001855 |
| ETIM 7.0 | EC001855 |

### UNSPSC

|               |          |
|---------------|----------|
| UNSPSC 6.01   | 31251501 |
| UNSPSC 7.0901 | 31251501 |
| UNSPSC 11     | 31251501 |
| UNSPSC 12.01  | 31251501 |
| UNSPSC 13.2   | 31251501 |
| UNSPSC 19.0   | 31251501 |
| UNSPSC 20.0   | 31251501 |
| UNSPSC 21.0   | 31251501 |

## Approvals


### Approvals


#### Approvals

CSA / CSAus / EAC-RoHS / cCSAus

#### Ex Approvals

### Approval details

|                    |   |   |       |
|--------------------|---|---|-------|
| CSA                |  | <a href="http://www.csagroup.org/services-industries/product-listing/">http://www.csagroup.org/services-industries/product-listing/</a> | 13631 |
| Nominal voltage UN |   | 24 V  |       |
| Nominal current IN |   | 2 A   |       |

|                    |   |   |       |
|--------------------|---|---|-------|
| CSAus              |  | <a href="http://www.csagroup.org/services-industries/product-listing/">http://www.csagroup.org/services-industries/product-listing/</a> | 13631 |
| Nominal voltage UN |   | 24 V  |       |
| Nominal current IN |   | 2 A   |       |



## Sensor/actuator cable - SAC-3P-10,0-PUR/A-1L-R - 1400799

### Approvals

|          |  |                          |
|----------|--|--------------------------|
| EAC-RoHS |  | RU D-<br>DE.HB35.B.00385 |
|----------|--|--------------------------|

|        |  |  |
|--------|--|--|
| cCSAus |  |  |
|--------|--|--|

### Accessories

#### Accessories

#### Conductor marking

Insert label - PABA WH/23 - 1013779



Insert label, Strip, white, unlabeled, can be labeled with: CMS-P1-PLOTTER, mounting type: thread on, cable diameter range: 1.5 ... 35 mm, lettering field size: 23 x 4 mm, Number of individual labels: 20

Insert label - PABA YE/23 - 1013782



Insert label, Strip, yellow, unlabeled, can be labeled with: CMS-P1-PLOTTER, mounting type: thread on, cable diameter range: 1.5 ... 35 mm, lettering field size: 23 x 4 mm, Number of individual labels: 20

#### Corrugated pipe

Protective hose - WP-PA HF 13,0 BK - 3240681



Polyamide protective hose, inflammability class V0, UV resistant

Protective hose - WP-PA HF-HB 13,0 BK - 3240839



Polyamide protective hose, inflammability class HB, UV resistant

## Sensor/actuator cable - SAC-3P-10,0-PUR/A-1L-R - 1400799

### Accessories

---

#### Cutting tools

Diagonal cutter - CUTFOX-S VDE - 1212207



Diagonal cutter for hard (piano wire) and soft wires, VDE 1000 V AC/1500 V DC tested

---

#### Marker pen

Marker pen - B-STIFT - 1051993



Marker pen, for manual labeling of unprinted Zack strips, smear-proof and waterproof, line thickness 0.5 mm

---

#### Mounting material

Screw - SAC-V-SCREW-M3-29 KNURL - 1403779



Fillister head screw with plastic knurl, M3 x 40

---

#### Screwdriver tools

Screw insert - SF-BIT-PH 1-70 - 1212582



Screw bit, PH crosshead, E6.3-1/4" drive, size: PH 1 x 70 mm, hardened, suitable for holder according to DIN 3126-F6.3/ISO 1173

---

#### Stripping tool

## Sensor/actuator cable - SAC-3P-10,0-PUR/A-1L-R - 1400799

### Accessories

Stripping tool - WIREFOX SAC-1 - 1212757



Stripping pliers, for halogen-free sensor/actuator cables (SAC cables), with PUR and PVC insulation, from  $\varnothing$  of 3.2 to 4.4 mm, any stripping length

---

Stripping tool - WIREFOX SAC - 1212623



Stripping pliers, for halogen-free sensor/actuator cables (SAC cables), with PUR and PVC insulation, from  $\varnothing$  of 4.4 to 7 mm, any stripping length

---

Stripping tool - WIREFOX 10 - 1212150



Stripping tool, for cables and conductors from 0.02 - 10 mm<sup>2</sup>, self-adjusting, stripping length of up to 18 mm, cutting capacity of up to 10 mm<sup>2</sup> stranded/1.5 mm<sup>2</sup> solid, replaceable stripping blade

---

Torque tool

Torque screwdriver - TSD-M 1,2NM - 1212224



Torque screw driver, accuracy as per EN ISO 6789 standard, adjustable from 0.3 - 1.2 Nm

---

Protective hose adapter - WP-CTA POM 13,0 BK - 1422884



Protective hose adapter, for corrugated hoses with a nominal size of 13 (10 x 13), corrugated in parallel

---

---

Phoenix Contact 2020 © - all rights reserved  
<http://www.phoenixcontact.com>

PHOENIX CONTACT GmbH & Co. KG  
Flachsmarktstr. 8  
32825 Blomberg  
Germany  
Tel. +49 5235 300  
Fax +49 5235 3 41200  
<http://www.phoenixcontact.com>

## X-ON Electronics

Largest Supplier of Electrical and Electronic Components

*Click to view similar products for [Sensor Cables / Actuator Cables](#) category:*

*Click to view products by [Phoenix Contact](#) manufacturer:*

Other Similar products are found below :

[60963](#) [60964](#) [703000D02F2002](#) [703001D02F0602](#) [703001D02F300](#) [704000D02F120](#) [773032K02F030](#) [802027107404-1](#) [802027213811-1](#)  
[804001A09M150](#) [805001A09M0502](#) [84914-0235](#) [84914-0237](#) [885030A09M020](#) [8R4J30E03C3003](#) [1200651332](#) [1200651713](#) [1200660844](#)  
[1200660845](#) [1200661173](#) [1200680071](#) [1200720053](#) [1200720081](#) [1200720099](#) [1200720217](#) [1200800231](#) [1200860125](#) [1200870123](#)  
[1200980102](#) [1200650267](#) [1200650298](#) [1200660183](#) [1200660782](#) [1200660849](#) [1200661295](#) [1200661297](#) [1200661342](#) [1200661343](#)  
[1200670080](#) [1200670220](#) [1200680331](#) [1200720252](#) [1200730184](#) [1200860344](#) [1200870359](#) [1200870643](#) [1200980008](#) [1200980031](#)  
[1210502211](#) [1210400542](#)