


## Sensor/actuator cable - SAC-3P- 5,0-PUR/A-1L-R-ES 4A - 1401136

Please be informed that the data shown in this PDF Document is generated from our Online Catalog. Please find the complete data in the user's documentation. Our General Terms of Use for Downloads are valid (<http://phoenixcontact.com/download>)



Sensor/actuator cable, 3-position, PUR halogen-free, black-gray RAL 7021, free cable end, on Valve connector A, with 1 LED, connected with Damping diode, cable length: 5 m, With holding current limiting device for energy reduction

### Key Commercial Data

|              |   |
|--------------|---|
| Packing unit | 1 pc  |
| GTIN         | <br>4 046356 924535 |
| GTIN         | 4046356924535   |

### Technical data

#### Dimensions

|                               |         |
|-------------------------------|---------|
| Length of cable               | 5 m     |
| Central screw valve connector | M3 x 28 |

#### Ambient conditions

|                                 |                               |
|---------------------------------|-------------------------------|
| Ambient temperature (operation) | -25 °C ... 80 °C (valve plug) |
| Degree of protection            | IP67                          |

#### General

|                              |   |
|------------------------------|---|
| Rated current at 40°C        | 4 A   |
| Rated voltage                | 24 V DC ±20 %   |
| Number of positions          | 3   |
| Insulation resistance        | ≥ 100 MΩ  |
| Standards/regulations        | Valve connector EN 175301-803                           |
| Status display               | 1 LED   |
| Protective circuit/component | Freewheeling diode with holding current limiting device |
| Switch-over time             | approx. 500 ms (Initial operating time)                 |
| Clock frequency              | approx. 800 Hz (Holding current limiting device)        |
| Switching frequency          | max. 1 Hz (Connected valve)                             |

# Sensor/actuator cable - SAC-3P- 5,0-PUR/A-1L-R-ES 4A - 1401136

## Technical data

### Material

|                                     |                   |
|-------------------------------------|-------------------|
| Valve plug contact material         | CuSn              |
| Valve plug contact surface material | Ag                |
| Valve plug contact insert material  | PA 6.6            |
| Material housing valve plug         | TPU               |
| Sealing material                    | TPU (Seal molded) |

### Standards and Regulations

|                          |                               |
|--------------------------|-------------------------------|
| Standards/specifications | Valve connector EN 175301-803 |
|--------------------------|-------------------------------|

### Cable

|   |  |
|---|--|
| Cable type                                  | PUR halogen-free black                                     |
| Cable type (abbreviation)                   | PUR  |
| Cable abbreviation                          | Li9Y11Y-HF   |
| UL AWM style                                | 20549  |
| Conductor cross section                     | 3x 0.5 mm <sup>2</sup>                                     |
| AWG signal line                             | 20   |
| Conductor structure signal line             | 28x 0.15 mm  |
| Core diameter including insulation          | 1.5 mm ±0.05 mm (Signal line)                              |
| Wire colors                                 | black 1, black 2, green/yellow                             |
| Overall twist                               | 3 wires, twisted   |
| External sheath, color                      | black-gray RAL 7021  |
| External cable diameter D                   | 4.5 mm ±0.2 mm   |
| Smallest bending radius, fixed installation | 22.5 mm  |
| Number of bending cycles                    | 15000000   |
| Bending radius                              | 50 mm  |
| Traversing path                             | 0.9 m  |
| Traversing rate                             | 5 m/s  |
| Acceleration                                | 30 m/s <sup>2</sup>  |
| Outer sheath, material                      | PUR  |
| Material conductor insulation               | PP   |
| Conductor material                          | Bare Cu litz wires   |
| Insulation resistance                       | min. 20 MΩ*km  |
| Conductor resistance                        | 39 Ω/km (at 20 °C)   |
| Nominal voltage, cable                      | ≤ 300 V  |
| Test voltage, cable                         | ≥ 1200 V   |
| Flame resistance                            | according to DIN VDE 0482                                  |
|   | According to DIN EN 50265-2-1                              |
| Halogen-free                                | in accordance with DIN VDE 0472 part 815                   |
| Other resistance                            | largely oil-resistant                                      |
|   | partly UV-resistant in accordance with DIN EN ISO 4892-2-A |
| Ambient temperature (operation)             | -40 °C ... 80 °C (cable, fixed installation)               |
|   | -20 °C ... 80 °C (cable, flexible installation)            |

# Sensor/actuator cable - SAC-3P- 5,0-PUR/A-1L-R-ES 4A - 1401136

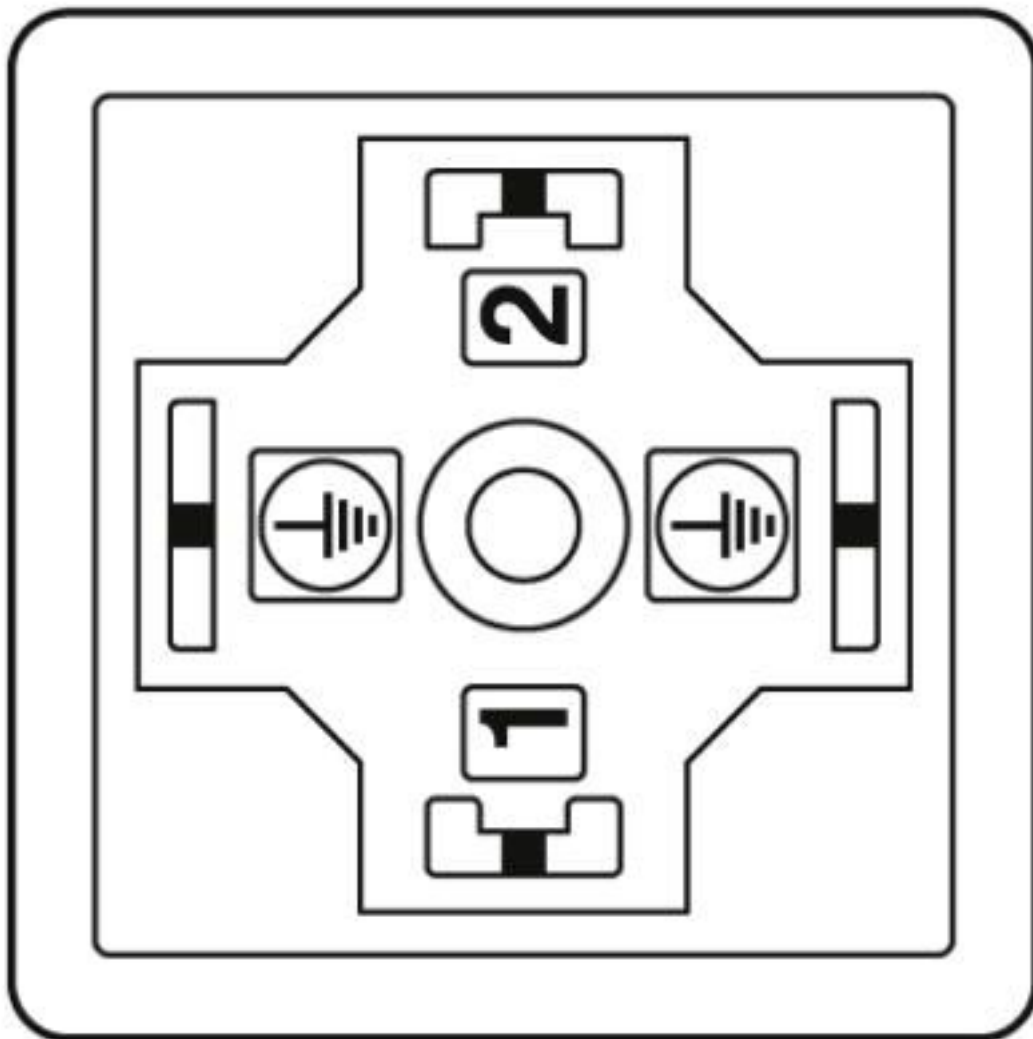
## Technical data

### Environmental Product Compliance

|            |   |
|------------|---|
| China RoHS | Environmentally friendly use period: unlimited = EFUP-e |
|            | No hazardous substances above threshold values          |

## Drawings

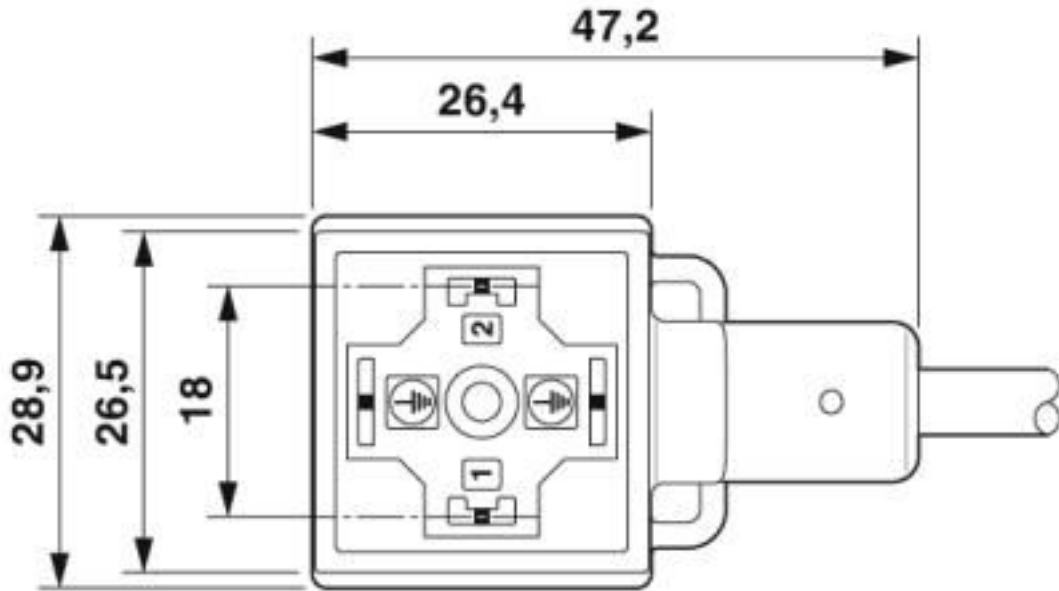
Schematic diagram



Valve connector pin assignment, type A

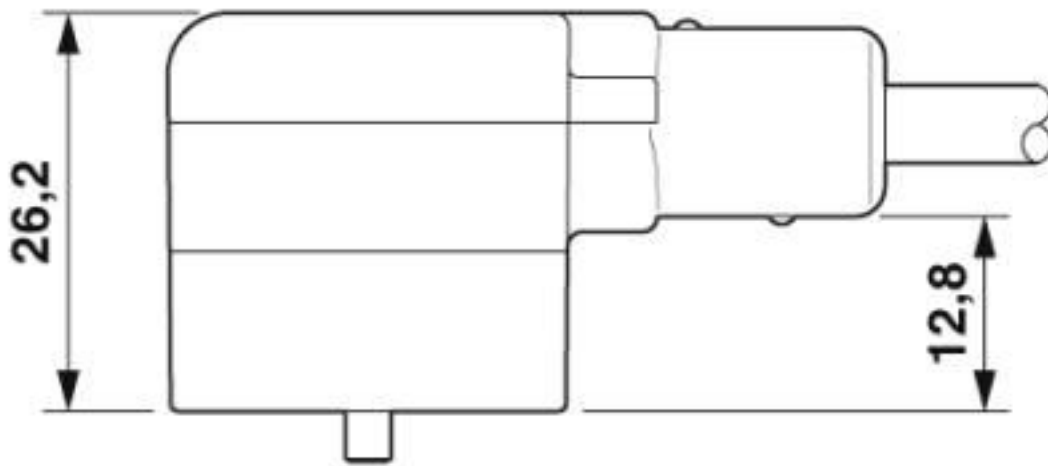
# Sensor/actuator cable - SAC-3P- 5,0-PUR/A-1L-R-ES 4A - 1401136

Dimensional drawing



Valve connector, type A

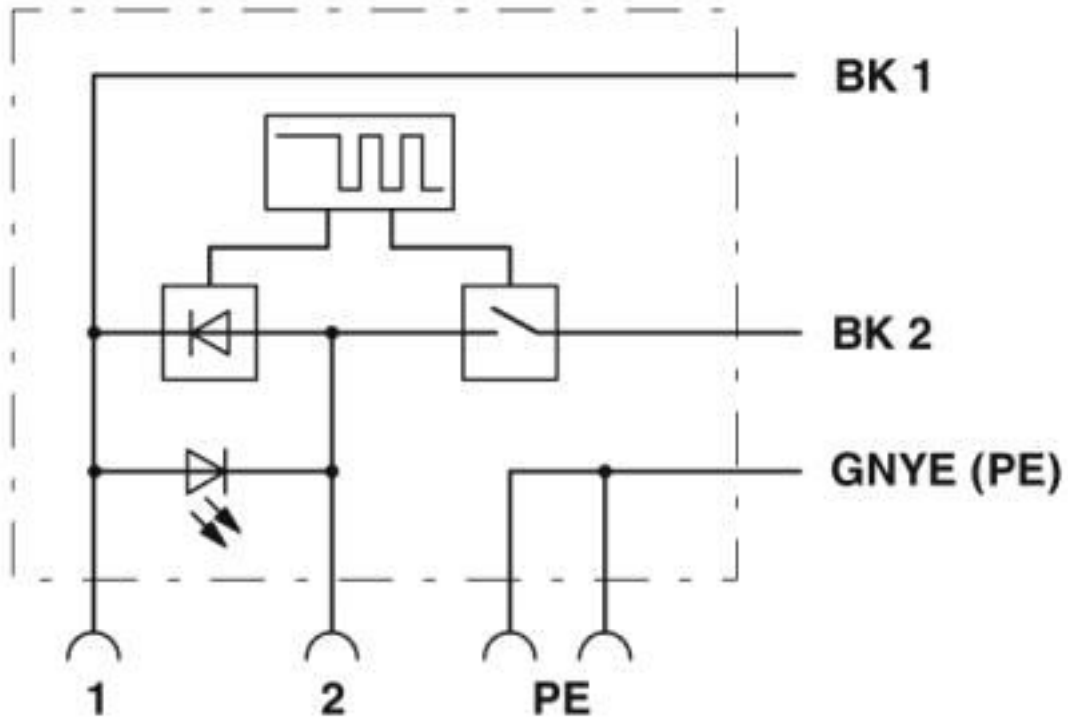
Dimensional drawing



Valve connector, type A, side view

# Sensor/actuator cable - SAC-3P- 5,0-PUR/A-1L-R-ES 4A - 1401136

Circuit diagram



Contact assignment of the valve plug

# Sensor/actuator cable - SAC-3P- 5,0-PUR/A-1L-R-ES 4A - 1401136

Cable cross section



PUR halogen-free black [PUR]

## Classifications

eCl@ss

|               |          |
|---------------|----------|
| eCl@ss 10.0.1 | 27060312 |
| eCl@ss 4.0    | 27060300 |
| eCl@ss 4.1    | 27060300 |
| eCl@ss 5.0    | 27061800 |
| eCl@ss 5.1    | 27061800 |
| eCl@ss 6.0    | 27279200 |
| eCl@ss 7.0    | 27279218 |
| eCl@ss 8.0    | 27279218 |
| eCl@ss 9.0    | 27060312 |

# Sensor/actuator cable - SAC-3P- 5,0-PUR/A-1L-R-ES 4A - 1401136

## Classifications

### ETIM

|          |          |
|----------|----------|
| ETIM 4.0 | EC001855 |
| ETIM 5.0 | EC001855 |
| ETIM 6.0 | EC001855 |
| ETIM 7.0 | EC001855 |

### UNSPSC

|             |          |
|-------------|----------|
| UNSPSC 13.2 | 31251501 |
| UNSPSC 19.0 | 31251501 |
| UNSPSC 20.0 | 31251501 |
| UNSPSC 21.0 | 31251501 |

## Approvals

### Approvals

---

Approvals

EAC-RoHS / EAC

---

Ex Approvals

---

### Approval details

|          |  |                          |
|----------|--|--------------------------|
| EAC-RoHS |  | RU D-<br>DE.HB35.B.00385 |
|----------|--|--------------------------|

|     |  |                          |
|-----|--|--------------------------|
| EAC |  | RU C-<br>DE.BL08.B.00286 |
|-----|--|--------------------------|

---

Phoenix Contact 2020 © - all rights reserved  
<http://www.phoenixcontact.com>

PHOENIX CONTACT GmbH & Co. KG  
Flachmarktstr. 8  
32825 Blomberg  
Germany  
Tel. +49 5235 300  
Fax +49 5235 3 41200  
<http://www.phoenixcontact.com>

## X-ON Electronics

Largest Supplier of Electrical and Electronic Components

*Click to view similar products for [Sensor Cables / Actuator Cables](#) category:*

*Click to view products by [Phoenix Contact](#) manufacturer:*

Other Similar products are found below :

[60963](#) [60964](#) [703000D02F2002](#) [703001D02F0602](#) [703001D02F300](#) [704000D02F120](#) [773032K02F030](#) [802027107404-1](#) [802027213811-1](#)  
[804001A09M150](#) [805001A09M0502](#) [84914-0235](#) [84914-0237](#) [885030A09M020](#) [8R4J30E03C3003](#) [1200651332](#) [1200651713](#) [1200660844](#)  
[1200660845](#) [1200661173](#) [1200680071](#) [1200720053](#) [1200720081](#) [1200720099](#) [1200720217](#) [1200800231](#) [1200860125](#) [1200870123](#)  
[1200980102](#) [1200650267](#) [1200650298](#) [1200660183](#) [1200660782](#) [1200660849](#) [1200661295](#) [1200661297](#) [1200661342](#) [1200661343](#)  
[1200670080](#) [1200670220](#) [1200680331](#) [1200720252](#) [1200730184](#) [1200860344](#) [1200870359](#) [1200870643](#) [1200980008](#) [1200980031](#)  
[1210502211](#) [1210400542](#)