

DIN rail mounting frame - HC-CIF-B24-HFFD-WH-AL - 1404213

Please be informed that the data shown in this PDF Document is generated from our Online Catalog. Please find the complete data in the user's documentation. Our General Terms of Use for Downloads are valid (<http://phoenixcontact.com/download>)




HEAVYCON DIN rail mounting frame, upper part for double locking latch, for HC-CIF...BFWD.. lower parts with double locking latch or for HC-CIF...BFFD.. lower parts, for type B24 contact inserts, with M4 screws with 3 mm Allen screw head, for NS35/7,5 DIN rails

Your advantages

- Sturdy metal version
- Open base, pre-assembled cable harnesses can be used
- Standardized design; both PE sheets for inserts are connected conductively
- Safe capacitive PE even when connected slightly askew



Key Commercial Data

Packing unit	1 pc
GTIN	 4 046356 680257
GTIN	4046356680257

Technical data

Dimensions

Length	150.2 mm
Width	56 mm
Height	49 mm

Ambient conditions

Ambient temperature (operation)	-40 °C ... 125 °C
---------------------------------	-------------------

General

Size	For B24
Material	Cast aluminum, uncoated
Connection	For screw locking: M4, 3 mm Allen screw, 2 Nm tightening torque

Environmental Product Compliance

China RoHS	Environmentally friendly use period: unlimited = EFUP-e
------------	---

DIN rail mounting frame - HC-CIF-B24-HFFD-WH-AL - 1404213

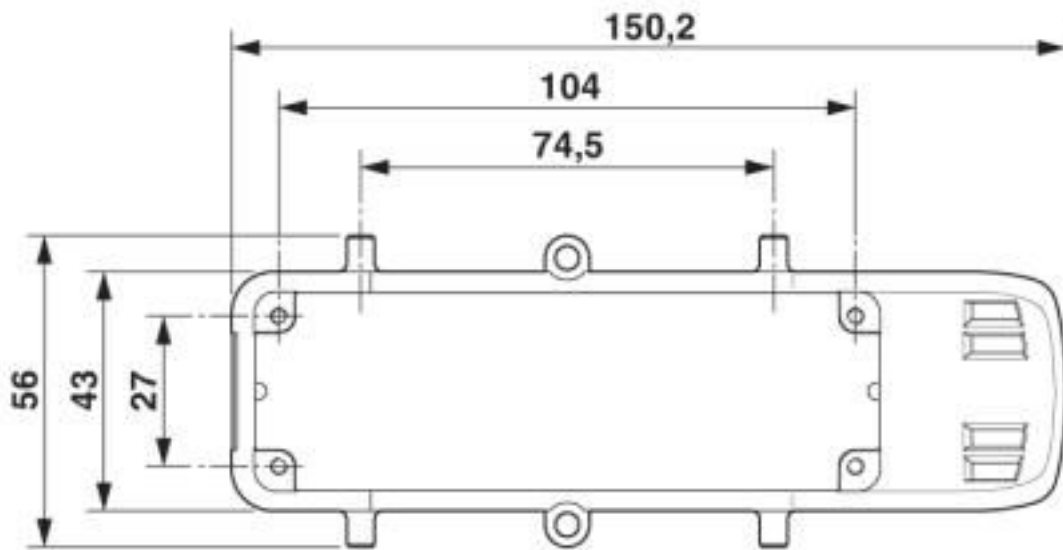
Technical data

Environmental Product Compliance

	No hazardous substances above threshold values
--	--

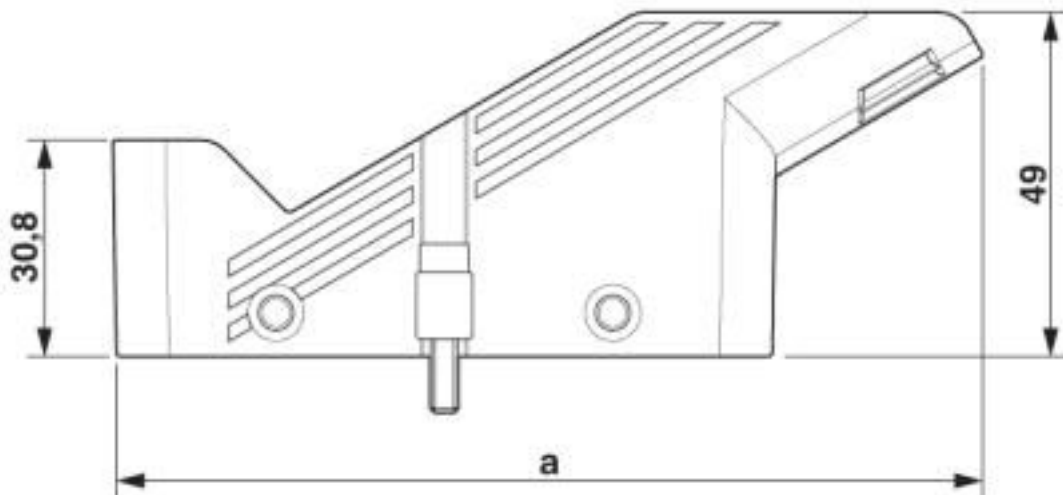
Drawings

Dimensional drawing



Dimensional drawing top view

Dimensional drawing



Dimensional drawing

DIN rail mounting frame - HC-CIF-B24-HFFD-WH-AL - 1404213

Classifications

eCl@ss

eCl@ss 10.0.1	27440210
eCl@ss 4.0	27140800
eCl@ss 4.1	27140800
eCl@ss 5.0	27143400
eCl@ss 5.1	27143400
eCl@ss 6.0	27261200
eCl@ss 7.0	27440206
eCl@ss 8.0	27440206
eCl@ss 9.0	27440210

ETIM

ETIM 3.0	EC002310
ETIM 4.0	EC002310
ETIM 5.0	EC002310
ETIM 6.0	EC002310
ETIM 7.0	EC002310

UNSPSC

UNSPSC 6.01	43172601
UNSPSC 7.0901	39121416
UNSPSC 11	43172601
UNSPSC 12.01	39121408
UNSPSC 13.2	39121421
UNSPSC 18.0	39121421
UNSPSC 19.0	39121421
UNSPSC 20.0	39121421
UNSPSC 21.0	39121421

Approvals

Approvals

Approvals

EAC

Ex Approvals

Approval details

DIN rail mounting frame - HC-CIF-B24-HFFD-WH-AL - 1404213

Approvals

EAC		RU C- DE.AI30.B.01102
-----	--	--------------------------

Accessories

Accessories

Adapter

Adapter insert - HC-CIF-D25-AIWS-SM-NI - 1424341



Adapter insert, type: D25

Device marking

Plastic label - US-EMLP (20X9) SR - 0828884



Plastic label, Card, silver, unlabeled, can be labeled with: BLUEMARK ID COLOR, BLUEMARK ID, THERMOMARK PRIME, THERMOMARK CARD 2.0, THERMOMARK CARD, mounting type: adhesive, lettering field size: 20 x 9 mm, Number of individual labels: 75

Additional products

DIN rail mounting frame - HC-CIF-B24-BFFD-FH-AL - 1404211



HEAVYCON DIN rail mounting frame, lower part for double locking latch, for sleeve housing with double locking latch or HC-CIF..HFFD.., for type B24 contact inserts, for NS 35/7,5 DIN rails

DIN rail mounting frame - HC-CIF-B24-BFWD-FH-AL - 1404212



HEAVYCON DIN rail mounting frame, lower part with double locking latch, for sleeve housing without double locking latch or HC-CIF-.HFFD.. upper part, for type B24 contact inserts, for NS35/7,5 DIN rails

Phoenix Contact 2020 © - all rights reserved
<http://www.phoenixcontact.com>

PHOENIX CONTACT GmbH & Co. KG
Flachsmarktstr. 8
32825 Blomberg
Germany
Tel. +49 5235 300
Fax +49 5235 3 41200
<http://www.phoenixcontact.com>

X-ON Electronics

Largest Supplier of Electrical and Electronic Components

Click to view similar products for [Heavy Duty Power Connectors](#) category:

Click to view products by [Phoenix Contact](#) manufacturer:

Other Similar products are found below :

[647757-1](#) [6643411-1](#) [6646058-2](#) [6646137-1](#) [6646138-1](#) [6646479-1](#) [6646608-1](#) [6646786-1](#) [6646940-1](#) [6651091-1](#) [6651525-1](#) [6651529-1](#)
[6651788-1](#) [696475-1](#) [702-32-01109](#) [703-25-02205](#) [73000005059](#) [73000005642](#) [73080255059](#) [73080965046](#) [765-15-0080A](#) [765-16-0080B](#)
[765-18-0080D](#) [829992-1](#) [902-77-02113](#) [PS00/A0620/6300](#) [PS25/A0420/63](#) [129-1J](#) [1409400](#) [AN0024023](#) [E6374G1](#) [e6389g2](#) [157-43GW8](#)
[MS3117-14AC](#) [1643543-1](#) [1650540-1](#) [1651811-2](#) [1766260-1](#) [1766282-1](#) [1766966-1](#) [1791340000](#) [NLDFT-3-BL-L-S120-M40A](#) [NLDFT-N-](#)
[W-L-C240-M40B](#) [NLS-2-R-C240-M40B](#) [NLS-N-W-C240-M40B](#) [NPS-3-BL-T6](#) [1986615-1](#) [2-1589900-8](#) [2199314-1](#) [KA8102](#)