

AC charging cable - EV-T2M3PC-3AC20A-4,0M2,5ESBK00 - 1404877

Please be informed that the data shown in this PDF Document is generated from our Online Catalog. Please find the complete data in the user's documentation. Our General Terms of Use for Downloads are valid (<http://phoenixcontact.com/download>)

Design line 1, Mobile AC charging cable with vehicle connector and infrastructure plug, with protective cap, Type 2, IEC 62196-2, 20 A / 480 V (AC), cable: 4 m, black, straight



Product Description


Mobile AC charging cable with Vehicle Connector and Infrastructure plug for charging electric vehicles (EV) with alternating current (AC), via type 2 Vehicle Inlets, compatible with type 2 Infrastructure Socket Outlets at charging stations for E-Mobility (EVSE)

Your advantages

- ✓ Consistent design of all Phoenix Contact Vehicle Connectors and Infrastructure Plugs
- ✓ Silver-plated surface of the power and signal contacts
- ✓ Certified in accordance with IATF 16949:2016 and ISO 9001:2015
- ✓ Convenient handling, thanks to the ergonomic handle and additional, rubber grip components



Key Commercial Data

Packing unit	1 pc
GTIN	 4 046356 726740
GTIN	4046356726740

Technical data

Product definition

Type	D-Line
Application	Mobile AC charging cable with vehicle connector and infrastructure plug, with protective cap
Standards/regulations	IEC 62196-2
Charging standard	Type 2
Charging mode	Mode 3, Case B

Dimensions

Vehicle connector width	60.00 mm
Vehicle connector height	102.90 mm
Vehicle connector depth	229.60 mm

AC charging cable - EV-T2M3PC-3AC20A-4,0M2,5ESBK00 - 1404877

Technical data

Dimensions

Infrastructure plug width	60.00 mm
Infrastructure plug height	102.90 mm
Infrastructure plug depth	229.60 mm
Conductor length	4 m

Ambient conditions

Ambient temperature (operation)	-30 °C ... 50 °C
Ambient temperature (storage/transport)	-40 °C ... 80 °C
Max. altitude	5000 m (above sea level)
Degree of protection	IP44 (plugged in; when plugged in and ready to operate, the degree of protection is only ensued if both plug-in components are original products from Phoenix Contact or suitable standard-compliant products)
	IP44 (Protective cap)

Electrical properties

Maximum charging power	16.63 kW
Number of phases	3
Number of power contacts	5 (L1, L2, L3, N, PE)
Rated current of power contacts	20 A
Rated voltage for power contacts	480 V AC
Number of signal contacts	2 (CP, PP)
Rated current for signal contacts	2 A
Rated voltage for signal contacts	30 V AC
Type of signal transmission	Pulse width modulation
Note on the connection method	Crimp connection, cannot be disconnected
Resistor coding	680 Ω (between PE and PP)

Mechanical properties

Insertion/withdrawal cycles	> 10000
Insertion force	< 100 N
Withdrawal force	< 100 N

Design

Design line	D-Line
Housing color	black
Mating face color	gray
Color handle area	gray
Color protective cap	black
Label	14.1 mm x 44.8 mm (customer logo on request)

Material

Housing material	Plastic
Material handle area	Soft plastic
Material protective cap	Soft plastic

AC charging cable - EV-T2M3PC-3AC20A-4,0M2,5ESBK00 - 1404877

Technical data

Material

Material mating face	Plastic
Material surface of contacts	Ag

Cable

Cable structure	5 x 2.5 mm ² + 1 x 0.5 mm ² (DIN EN 13602, VDE 0295 class 5)
Wiring class	Class 5
External cable diameter	13 mm ±0.5 mm
Type of conductor	straight
Outer sheath, material	PUR
External sheath, color	black
Minimum bending radius	195 mm (15 x diameter)

Locking

Locking type	No locking option for U-lock
--------------	------------------------------

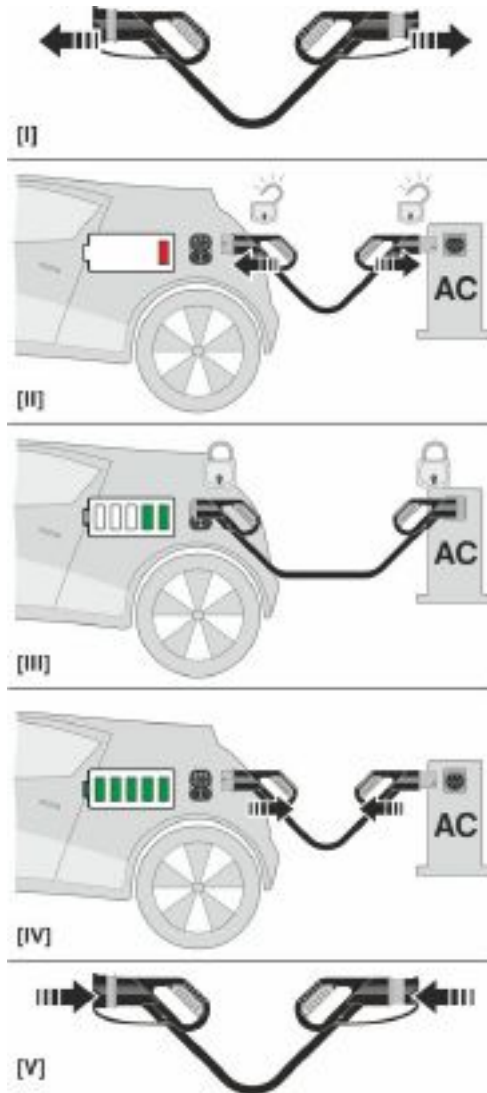
Environmental Product Compliance

China RoHS	Environmentally Friendly Use Period = 10;
	For details about hazardous substances go to tab "Downloads", Category "Manufacturer's declaration"

Drawings

AC charging cable - EV-T2M3PC-3AC20A-4,0M2,5ESBK00 - 1404877

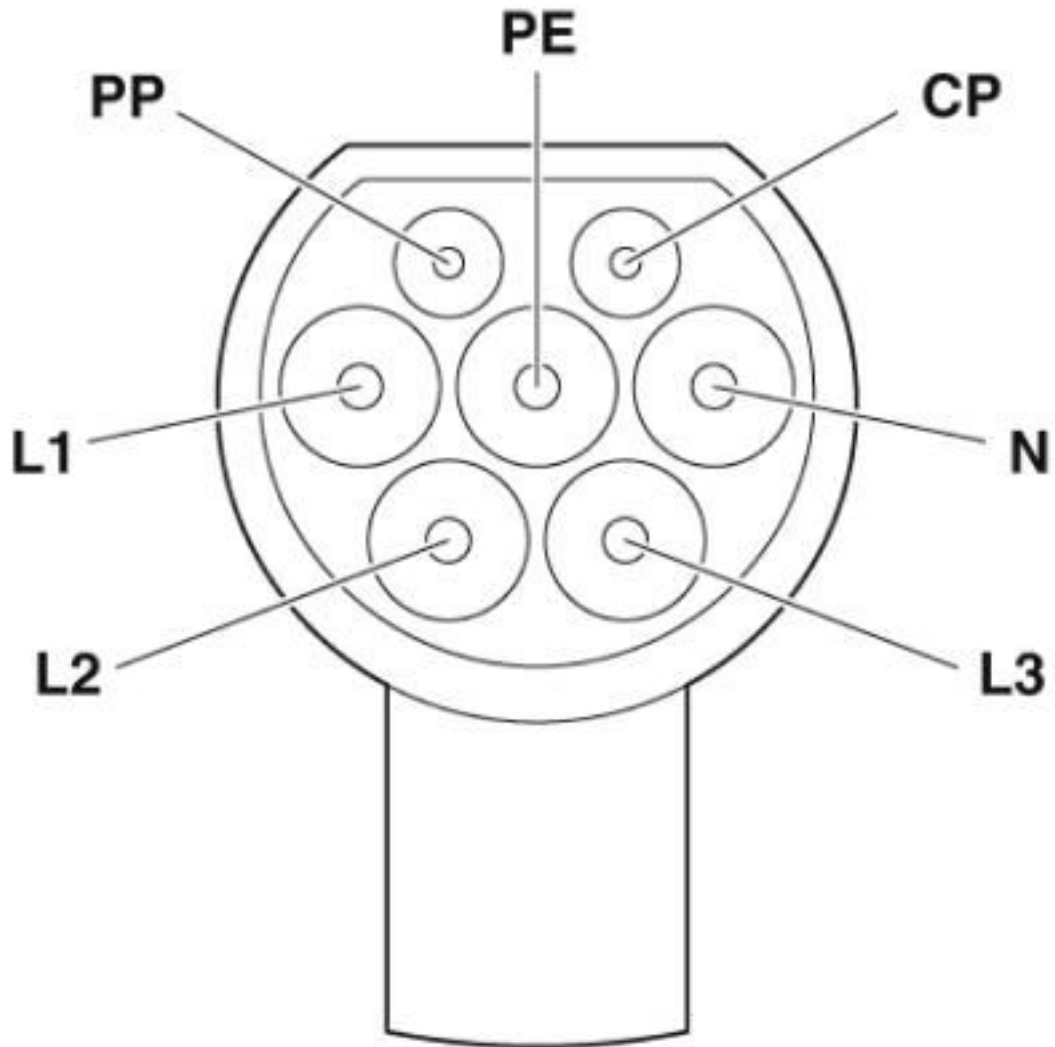
Schematic diagram



Operating instructions

AC charging cable - EV-T2M3PC-3AC20A-4,0M2,5ESBK00 - 1404877

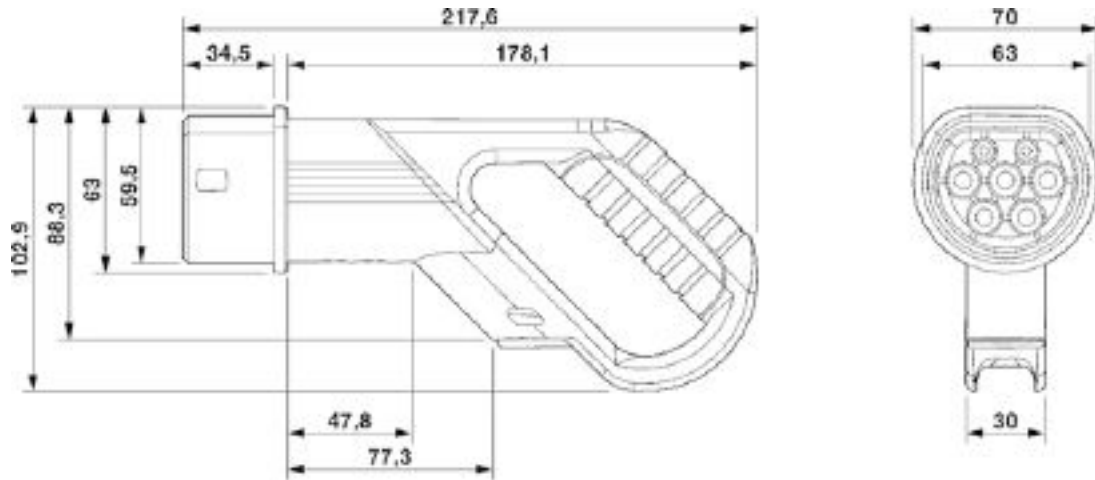
Connection diagram



Pin assignment of Infrastructure Plug

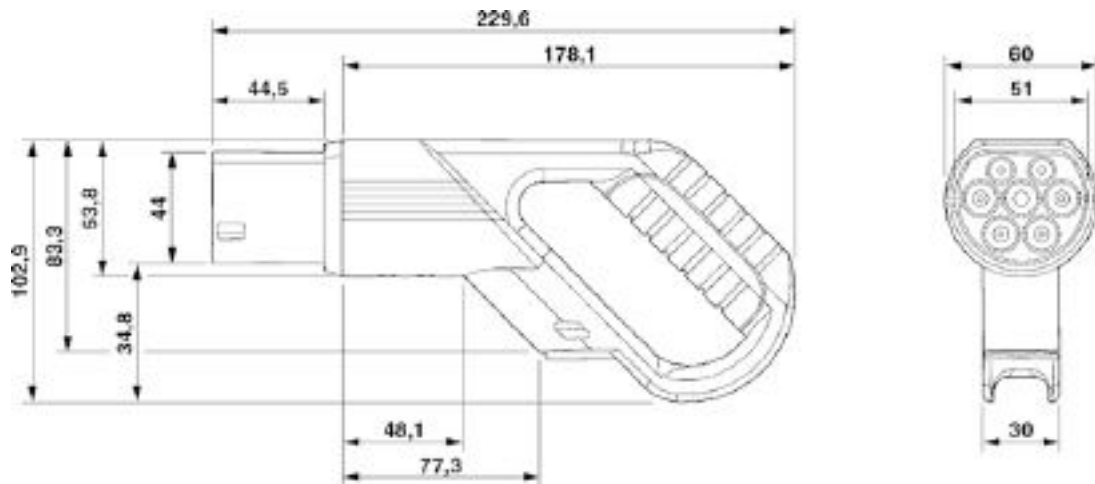
AC charging cable - EV-T2M3PC-3AC20A-4,0M2,5ESBK00 - 1404877

Dimensional drawing



Vehicle connector

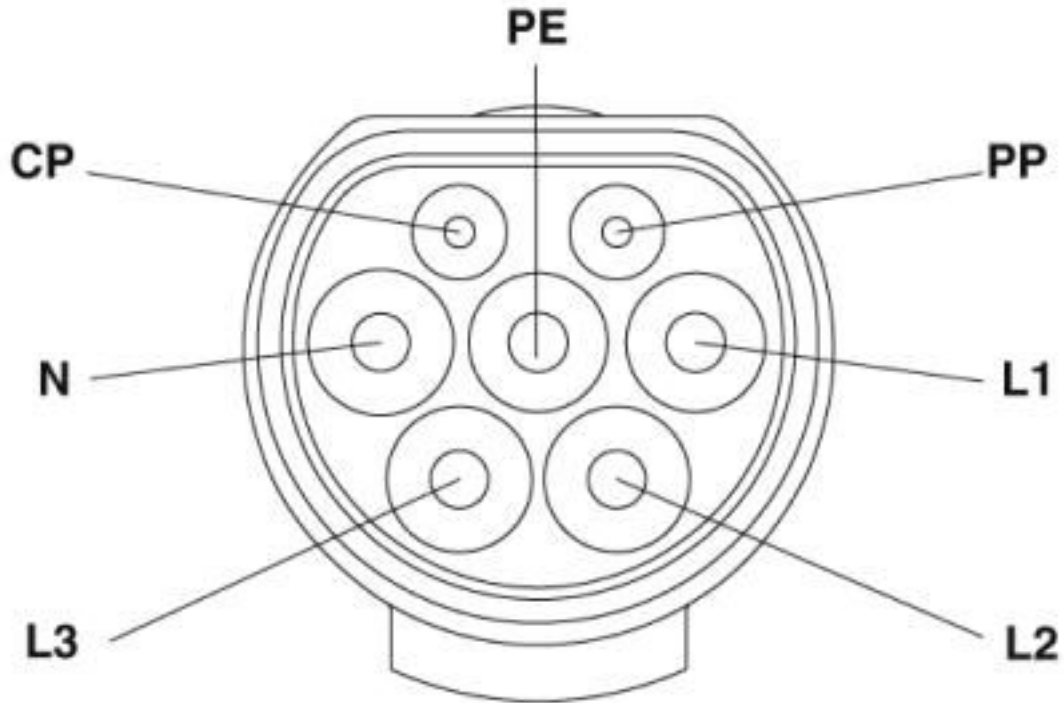
Dimensional drawing



Infrastructure plug

AC charging cable - EV-T2M3PC-3AC20A-4,0M2,5ESBK00 - 1404877

Schematic diagram



Pin assignment of the Vehicle Connector

Classifications

eCI@ss

eCI@ss 4.0	27140800
eCI@ss 4.1	27140800
eCI@ss 5.0	27143400
eCI@ss 5.1	27143400
eCI@ss 6.0	27143400
eCI@ss 7.0	27449001
eCI@ss 8.0	27449001

ETIM

ETIM 3.0	EC001121
ETIM 4.0	EC002061
ETIM 5.0	EC002839
ETIM 6.0	EC002897
ETIM 7.0	EC002897

UNSPSC

UNSPSC 6.01	30211801
UNSPSC 7.0901	39121432

AC charging cable - EV-T2M3PC-3AC20A-4,0M2,5ESBK00 - 1404877

Classifications

UNSPSC

UNSPSC 11	39121432
UNSPSC 12.01	39121432
UNSPSC 13.2	39121522
UNSPSC 18.0	39121522
UNSPSC 19.0	39121522
UNSPSC 20.0	39121522
UNSPSC 21.0	39121522

Approvals


Approvals


Approvals

VDE Zeichengenehmigung / IECCEB Scheme

Ex Approvals

Approval details

VDE Zeichengenehmigung		http://www2.vde.com/de/Institut/Online-Service/VDE-gepruefteProdukte/Seiten/Online-Suche.aspx	40038180
Nominal voltage UN	480 V		
Nominal current IN	20 A		

IECCEB Scheme		http://www.iecee.org/	DE1-61526
Nominal voltage UN	480 V		
Nominal current IN	20 A		

Accessories

Accessories

Infrastructure socket outlet

AC charging cable - EV-T2M3PC-3AC20A-4,0M2,5ESBK00 - 1404877

Accessories

Socket Outlet - EV-T2M3SE12-3AC20A-0,7M2,5E10 - 1405213



Socket Outlet, rear protective cover screw connection, For charging electric vehicles (EV) with alternating current (AC), Compatible with infrastructure charging plugs, Type 2, IEC 62196-2, 20 A / 480 V (AC), Single wires, length: 0.7 m, Locking actuator: 12 V, 4-position, Rear panel mounting, Generation 1, "PHOENIX CONTACT" logo

Socket Outlet - EV-T2M3SE24-3AC20A-0,7M2,5E10 - 1405215



Socket Outlet, rear protective cover screw connection, For charging electric vehicles (EV) with alternating current (AC), Compatible with infrastructure charging plugs, Type 2, IEC 62196-2, 20 A / 480 V (AC), Single wires, length: 0.7 m, Locking actuator: 24 V, 4-position, Rear panel mounting, Generation 1, "PHOENIX CONTACT" logo

Park position

Park position - EV-T2AC-PARK - 1624148



Park position, Retainer for Vehicle Connector as parking position at charging stations (EVSE), Type 2, IEC 62196-2, Front mounting

Phoenix Contact 2020 © - all rights reserved
<http://www.phoenixcontact.com>

PHOENIX CONTACT GmbH & Co. KG
Flachsmarktstr. 8
32825 Blomberg
Germany
Tel. +49 5235 300
Fax +49 5235 3 41200
<http://www.phoenixcontact.com>

X-ON Electronics

Largest Supplier of Electrical and Electronic Components

Click to view similar products for [Specialised Cables](#) category:

Click to view products by [Phoenix Contact](#) manufacturer:

Other Similar products are found below :

[603PT6](#) [603SS6L](#) [604PT6](#) [604SS6](#) [706000D02F200](#) [910640](#) [1200740077](#) [1200740114](#) [AC172](#) [ACL-SSI-4](#) [R88ACAKA0015SRE](#)
[R88ACAWL005SDE](#) [R88ACRGD0R3C](#) [1300150047](#) [1300660036](#) [1302262116](#) [1300150149](#) [1300220020](#) [1300220104](#) [1300220119](#)
[1301240492](#) [1301810221](#) [1365323-1](#) [1613055](#) [176P12](#) [1971465-2](#) [20240400003](#) [20240400013](#) [2085828-1](#) [20886510030](#) [2-22733-8](#) [22733-](#)
[8](#) [CB-5PSBC-RS](#) [CB-704EC-RS](#) [CB-BATACC-RS](#) [CB-JST3PSW-RS](#) [CB-M12COM-R10](#) [25AC84](#) [25AK84X](#) [25AU25](#) [25FN82](#) [3011-03](#)
[AC118](#) [ACL-HHS-1M\(CAT5E\)](#) [SSL009PC2DC012N](#) [FC2A-KC6C](#) [2085828-2](#) [20886510150](#) [CCS-FCB-5](#) [CCSFCBF2](#)