

Panel mounting frames - VS-PPC-F1-RJ45-MNNA-1C-F - 1405222

Please be informed that the data shown in this PDF Document is generated from our Online Catalog. Please find the complete data in the user's documentation. Our General Terms of Use for Downloads are valid (<http://phoenixcontact.com/download>)



RJ45 panel mounting frame, IP67, for push-pull interlocking, metal, with Freenet system, for round mounting cutout, with seal



Key Commercial Data

Packing unit	1 pc
GTIN	
GTIN	4046356334792

Technical data

Mechanical characteristics

Connection method	Spring-cage connection
Degree of pollution	2
Locking type	Push Pull
Weight	53.9 g
Flammability rating according to UL 94	V0

Ambient conditions

Ambient temperature (operation)	-40 °C ... 70 °C
---------------------------------	------------------

Material data

Housing material	Zinc die-cast
Housing surface material	Nickel-plated
Width	38 mm
Height	42 mm
Length	37 mm
Wrench size	46.00 mm
Housing surface material 1	Cu/Ni

Electrical characteristics

Panel mounting frames - VS-PPC-F1-RJ45-MNNA-1C-F - 1405222

Technical data

Electrical characteristics

Degree of pollution	2
---------------------	---

Standards and Regulations

Flammability rating according to UL 94	V0
--	----

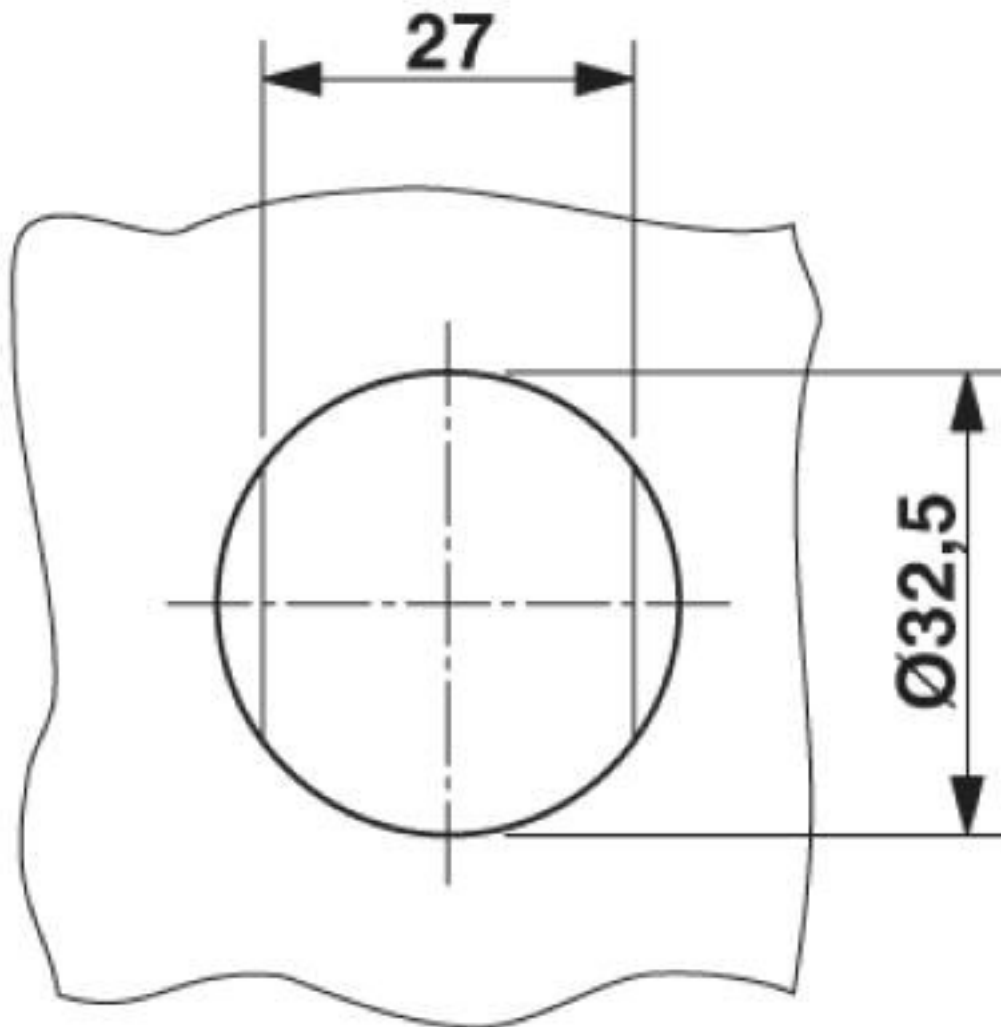
Environmental Product Compliance

REACH SVHC	Lead 7439-92-1
China RoHS	Environmentally Friendly Use Period = 50 years
	For details about hazardous substances go to tab "Downloads", Category "Manufacturer's declaration"

Drawings

Panel mounting frames - VS-PPC-F1-RJ45-MNNA-1C-F - 1405222

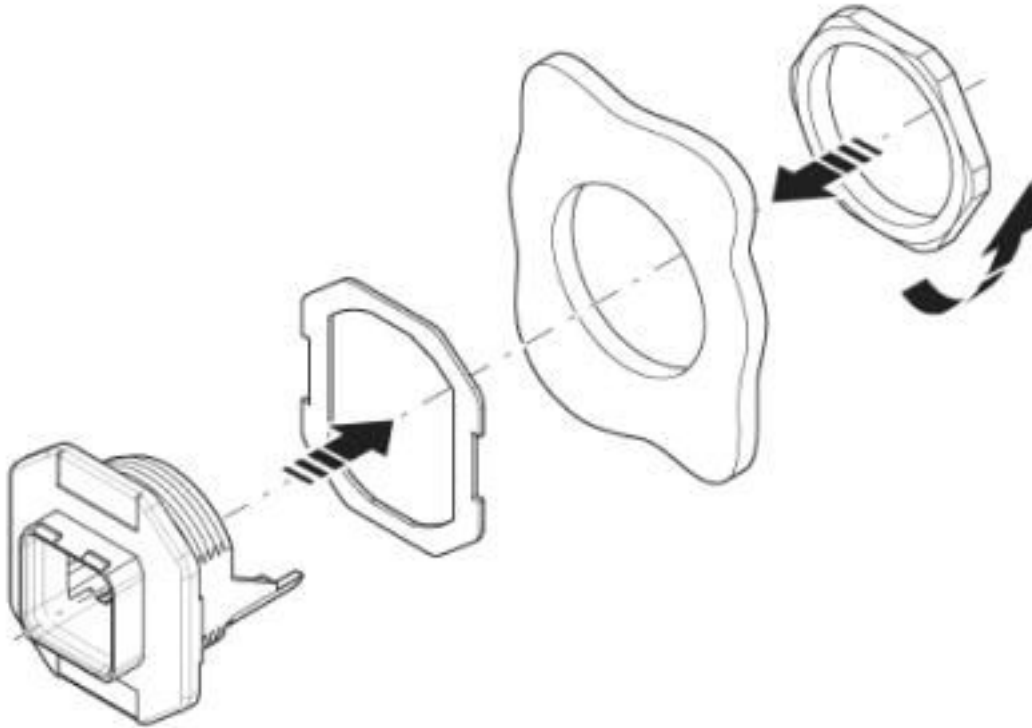
Drilling diagram



Mounting cutout

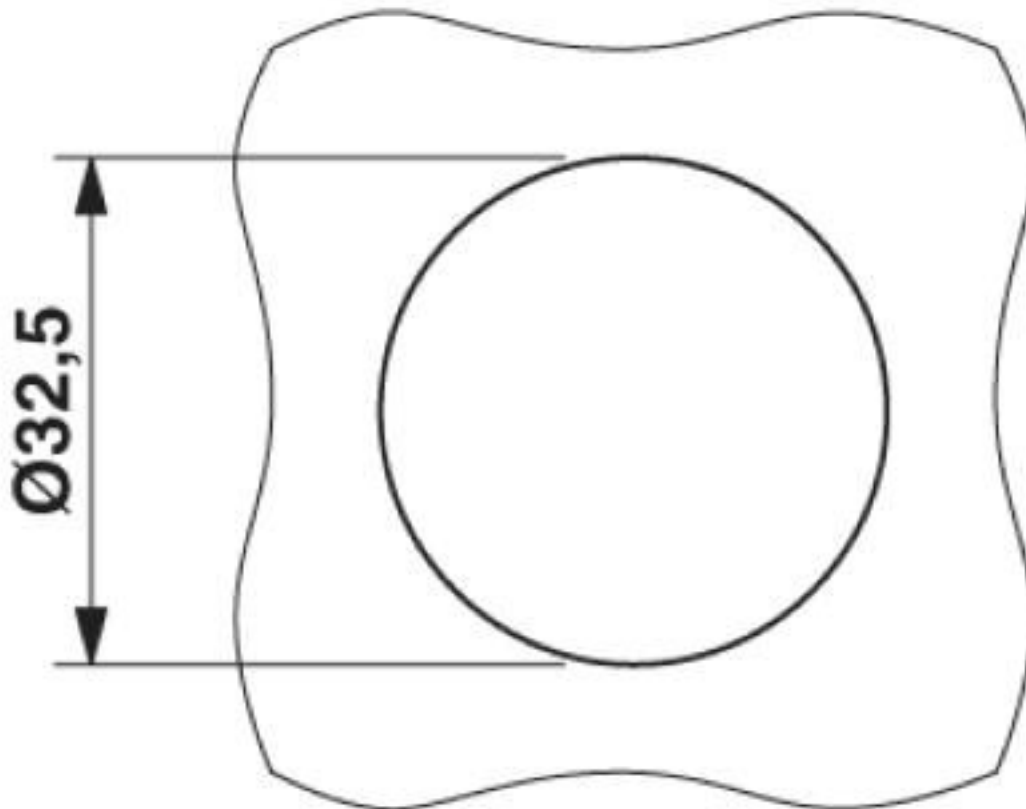
Panel mounting frames - VS-PPC-F1-RJ45-MNNA-1C-F - 1405222

Exploded view



Panel mounting frames - VS-PPC-F1-RJ45-MNNA-1C-F - 1405222

Dimensional drawing



Mounting cutout

Classifications

eCl@ss

eCl@ss 10.0.1	27440210
eCl@ss 4.0	27260700
eCl@ss 4.1	27260700
eCl@ss 5.0	27260700
eCl@ss 5.1	27260700
eCl@ss 6.0	27261200
eCl@ss 7.0	27440210
eCl@ss 8.0	27440210
eCl@ss 9.0	27440210

ETIM

ETIM 3.0	EC002310
ETIM 4.0	EC002310
ETIM 5.0	EC002310

Panel mounting frames - VS-PPC-F1-RJ45-MNNA-1C-F - 1405222

Classifications

ETIM

ETIM 6.0	EC002310
ETIM 7.0	EC002310

UNSPSC

UNSPSC 6.01	31261501
UNSPSC 7.0901	31261501
UNSPSC 11	31261501
UNSPSC 12.01	31261501
UNSPSC 13.2	39121421
UNSPSC 18.0	39121421
UNSPSC 19.0	39121421
UNSPSC 20.0	39121421
UNSPSC 21.0	39121421

Approvals

Approvals

Approvals

EAC

Ex Approvals

Approval details

EAC		B.01687
-----	--	---------

Accessories

Accessories

Female insert

RJ45 coupling - CUC-F-D1ZNI-S/R4GCHP8 - 1086111



RJ45 coupling, degree of protection: IP20, number of positions: 8, 10 Gbps, CAT6_A, material: Zinc die-cast, connection method: 2x RJ45, Freenet design for use with IP67 panel mounting frame and terminal outlets

Panel mounting frames - VS-PPC-F1-RJ45-MNNA-1C-F - 1405222

Accessories

RJ45 socket insert - CUC-F-J1ZNI-S/R4IDC8 - 1418984



RJ45 socket insert, type: RJ45, degree of protection: IP20, number of positions: 8, 10 Gbps, CAT6_A, material: Zinc die-cast, connection method: IDC connection, connection cross section: AWG 26- 22, Freenet design for use with IP67 panel mounting frame and terminal outlets

Phoenix Contact 2020 © - all rights reserved
<http://www.phoenixcontact.com>

PHOENIX CONTACT GmbH & Co. KG
Flachsmarktstr. 8
32825 Blomberg
Germany
Tel. +49 5235 300
Fax +49 5235 3 41200
<http://www.phoenixcontact.com>

X-ON Electronics

Largest Supplier of Electrical and Electronic Components

Click to view similar products for [Modular Connectors / Ethernet Connectors](#) category:

Click to view products by [Phoenix Contact](#) manufacturer:

Other Similar products are found below :

[8949-H88/06BLKA/SN](#) [74441-0010/BKN](#) [MP1010RX-1000](#) [MP44RX-1000](#) [PHP-6P6C-5](#) [GAX-3-66](#) [GAX-8-62](#) [GDCX-PA-66-50](#) [GDCX-PN-64](#) [GDCX-PN-66](#) [GDCX-PN-66-50](#) [GDLX-A-66](#) [GDLX-N-66](#) [GDLX-S-66](#) [GDLX-S-88K](#) [GDTX-S-88-50](#) [GDX-PA-1010](#) [GLX-N-1010M-BLK](#) [GLX-S-88M-BLK](#) [GMX-N-1010](#) [GMX-S-1010](#) [GMX-S-66](#) [GMX-SMT4-N-88](#) [GPX-2-64](#) [GSGX-N-2-88](#) [GSGX-N-4-88](#) [GSX-NS2-88-3.05](#) [GSX-NS2-88-3.05-50](#) [GSX-NS-88-3.05-50](#) [PT-108A-8C-UL](#) [PT-J951-8C](#) [PTS-J531-8CS-50UL](#) [1-1775629-2](#) [A-2014-0-4](#) [GWLX-S-88-GR](#) [GWLX-S9-88-YG](#) [DC-1021-8-WH-6](#) [1300530003](#) [1324640-4](#) [RJ11FTVC2G](#) [RJ11FTVC2N](#) [RJFTVX2SA1G](#) [132764-001](#) [1413235](#) [MP88X-1000](#) [MPS88RX-5000](#) [E5288-S000K3-L](#) [E5908-15A242-L](#) [155302-001](#) [AX100653](#)