

Panel mounting frames - VS-PPC-F1-RJ45-MNNA-1C-FJJ - 1405332

Please be informed that the data shown in this PDF Document is generated from our Online Catalog. Please find the complete data in the user's documentation. Our General Terms of Use for Downloads are valid (<http://phoenixcontact.com/download>)



RJ45 panel mounting frame, IP67, for push-pull interlocking, metal, with the Freenet system, for round panel cutout, with the RJ45 socket/socket socket insert, with seal, without mounting screws



Ethernet

Key Commercial Data

Packing unit	1 pc
GTIN	
GTIN	4046356420433

Technical data

Mechanical characteristics

Connection method	Push-Pull
Number of slots	2
Degree of pollution	2
Locking type	Push Pull
Weight	70.44 g

Ambient conditions

Ambient temperature (operation)	-40 °C ... 70 °C
---------------------------------	------------------

Material data

Contact surface material	Au/Ni
Housing material	Zinc die-cast
Housing surface material	Nickel-plated
Width	38 mm
Height	42 mm
Length	68.9 mm
Housing surface material 1	Cu/Ni

Electrical characteristics

Panel mounting frames - VS-PPC-F1-RJ45-MNNA-1C-FJJ - 1405332

Technical data

Electrical characteristics

Number of positions	8
Transmission characteristics (category)	CAT5 (IEC 11801:2002)
GRP transmission properties	CAT5 (IEC 11801:2002)
Degree of pollution	2
Rated voltage (III/3)	72 V (DC)

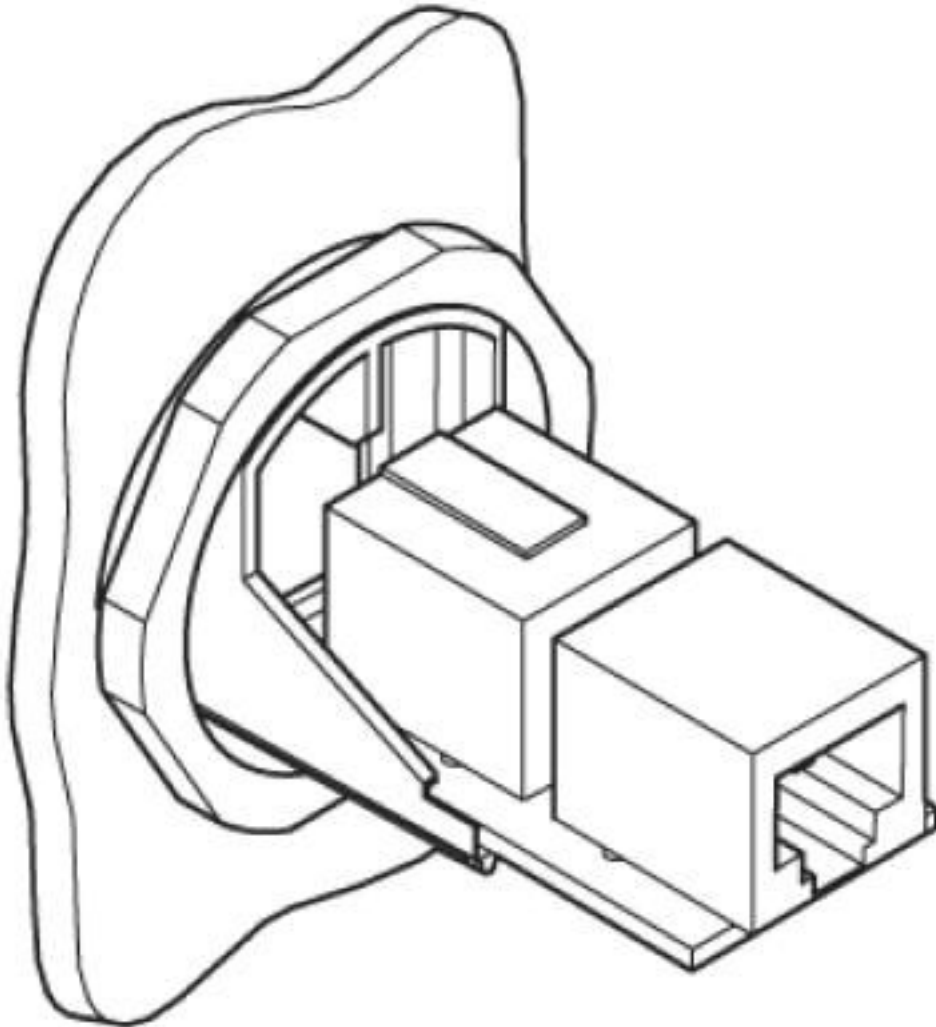
Environmental Product Compliance

REACH SVHC	Lead 7439-92-1
China RoHS	Environmentally Friendly Use Period = 50 years
	For details about hazardous substances go to tab "Downloads", Category "Manufacturer's declaration"

Drawings

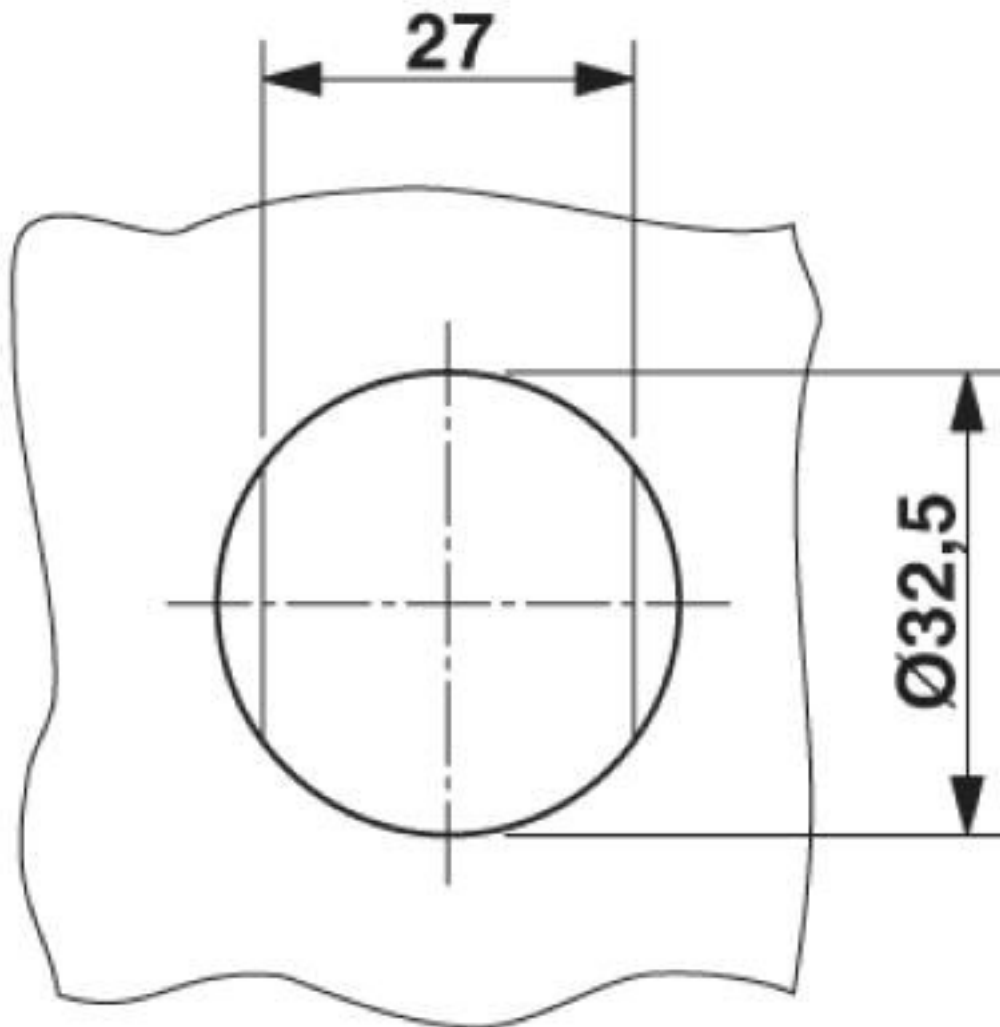
Panel mounting frames - VS-PPC-F1-RJ45-MNNA-1C-FJJ - 1405332

Schematic diagram



Panel mounting frames - VS-PPC-F1-RJ45-MNNA-1C-FJJ - 1405332

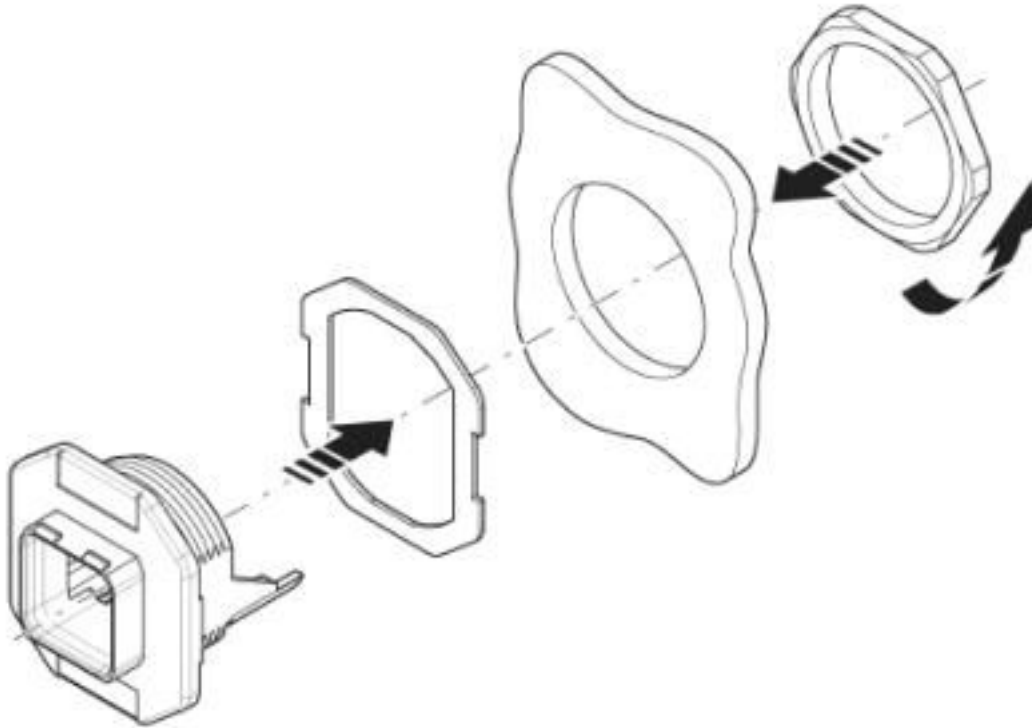
Drilling diagram



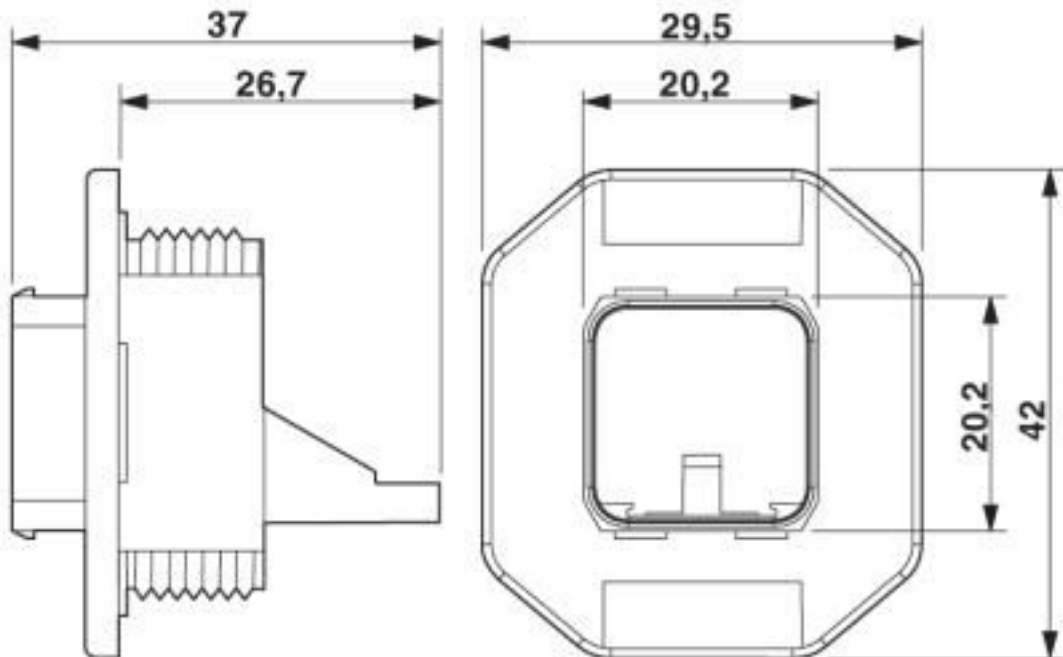
Mounting cutout

Panel mounting frames - VS-PPC-F1-RJ45-MNNA-1C-FJJ - 1405332

Exploded view



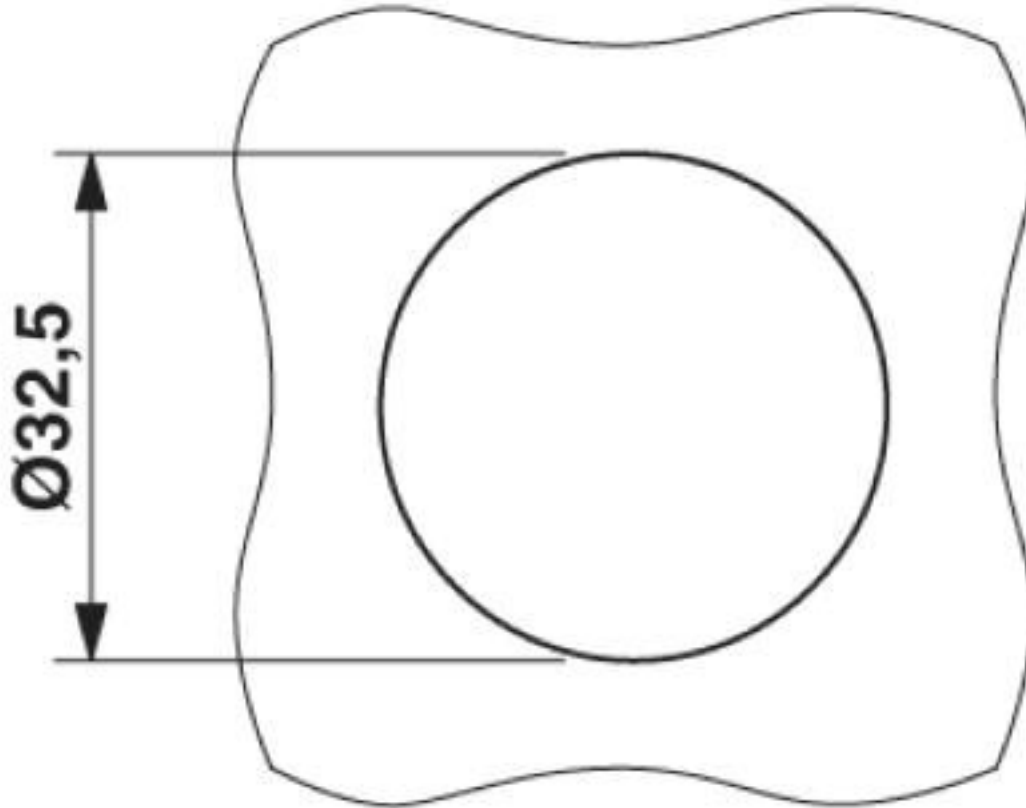
Dimensional drawing



Push-Pull panel mounting frame, Freenet system, IP67

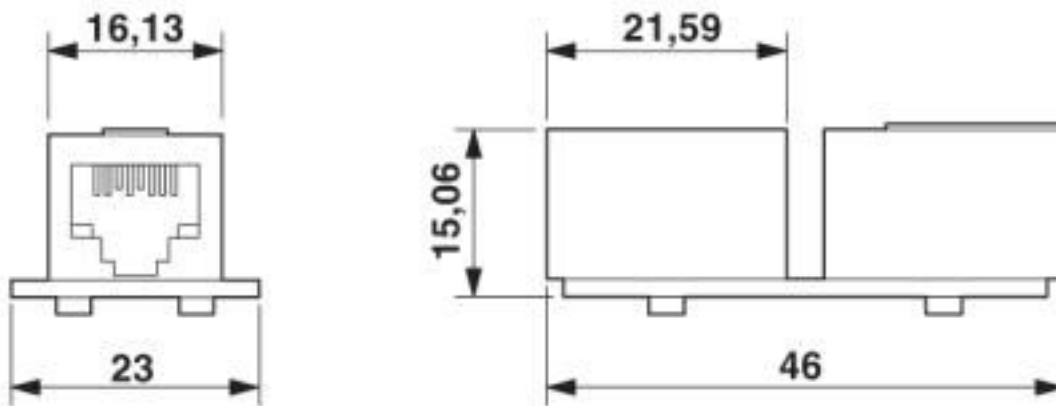
Panel mounting frames - VS-PPC-F1-RJ45-MNNA-1C-FJJ - 1405332

Dimensional drawing



Mounting cutout

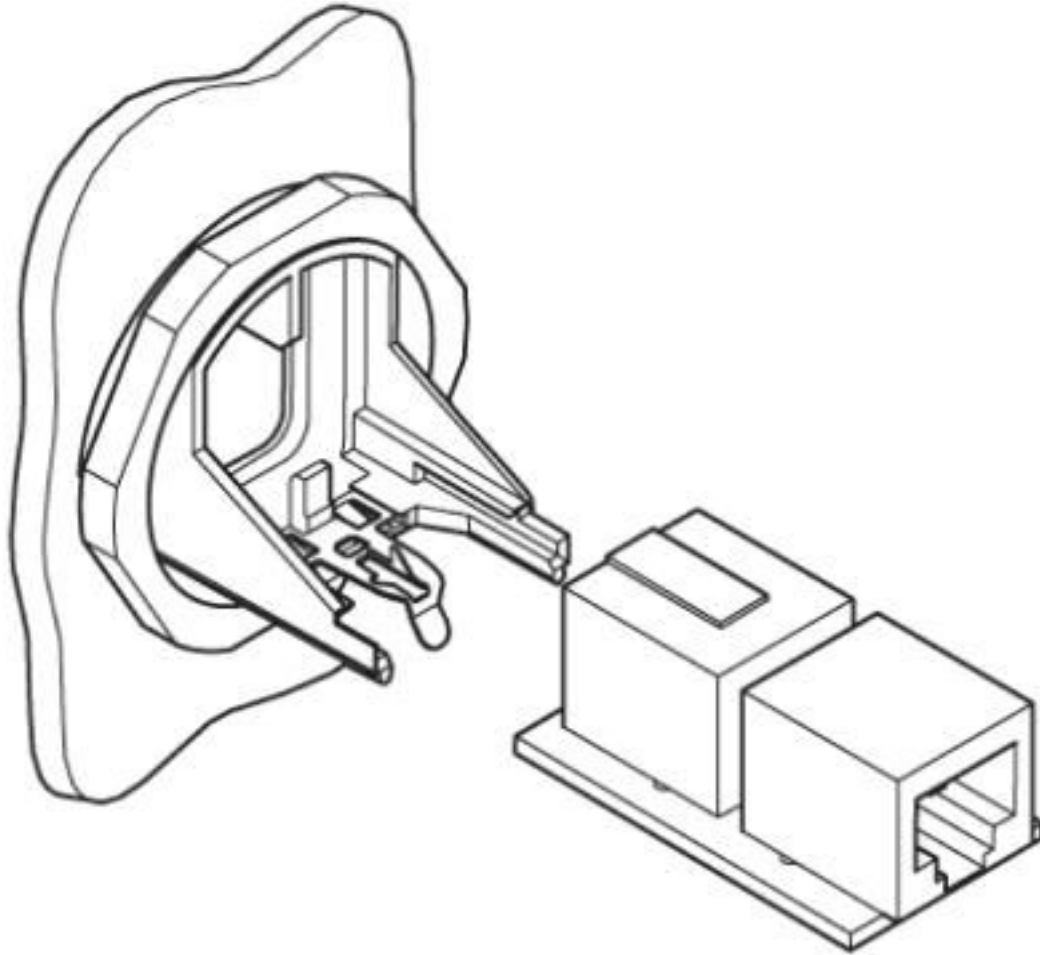
Dimensional drawing



RJ45 socket insert, Freenet system

Panel mounting frames - VS-PPC-F1-RJ45-MNNA-1C-FJJ - 1405332

Schematic diagram



Classifications

eCl@ss

eCl@ss 10.0.1	27440210
eCl@ss 4.0	27260700
eCl@ss 4.1	27260700
eCl@ss 5.0	27260700
eCl@ss 5.1	27260700
eCl@ss 6.0	27261200
eCl@ss 7.0	27440210
eCl@ss 8.0	27440210
eCl@ss 9.0	27440210

ETIM

ETIM 3.0	EC002310
ETIM 4.0	EC002310

Panel mounting frames - VS-PPC-F1-RJ45-MNNA-1C-FJJ - 1405332

Classifications

ETIM

ETIM 5.0	EC002310
ETIM 6.0	EC002310
ETIM 7.0	EC002310

UNSPSC

UNSPSC 6.01	31261501
UNSPSC 7.0901	31261501
UNSPSC 11	31261501
UNSPSC 12.01	31261501
UNSPSC 13.2	39121421
UNSPSC 18.0	39121421
UNSPSC 19.0	39121421
UNSPSC 20.0	39121421
UNSPSC 21.0	39121421

Approvals


Approvals

Approvals

EAC

Ex Approvals

Approval details

EAC		B.01742
-----	---	---------

Phoenix Contact 2020 © - all rights reserved
<http://www.phoenixcontact.com>

PHOENIX CONTACT GmbH & Co. KG
Flachsmarktstr. 8
32825 Blomberg
Germany
Tel. +49 5235 300
Fax +49 5235 3 41200
<http://www.phoenixcontact.com>

X-ON Electronics

Largest Supplier of Electrical and Electronic Components

Click to view similar products for [Modular Connectors / Ethernet Connectors](#) category:

Click to view products by [Phoenix Contact](#) manufacturer:

Other Similar products are found below :

[8949-H88/06BLKA/SN](#) [74441-0010/BKN](#) [MP1010RX-1000](#) [MP44RX-1000](#) [PHP-6P6C-5](#) [GAX-3-66](#) [GAX-8-62](#) [GDCX-PA-66-50](#) [GDCX-PN-64](#) [GDCX-PN-66](#) [GDCX-PN-66-50](#) [GDLX-A-66](#) [GDLX-N-66](#) [GDLX-S-66](#) [GDLX-S-88K](#) [GDTX-S-88-50](#) [GDX-PA-1010](#) [GLX-N-1010M-BLK](#) [GLX-S-88M-BLK](#) [GMX-N-1010](#) [GMX-S-1010](#) [GMX-S-66](#) [GMX-SMT4-N-88](#) [GPX-2-64](#) [GSGX-N-2-88](#) [GSGX-N-4-88](#) [GSX-NS2-88-3.05](#) [GSX-NS2-88-3.05-50](#) [GSX-NS-88-3.05-50](#) [PT-108A-8C-UL](#) [PT-J951-8C](#) [PTS-J531-8CS-50UL](#) [1-1775629-2](#) [A-2014-0-4](#) [GWLX-S-88-GR](#) [GWLX-S9-88-YG](#) [DC-1021-8-WH-6](#) [1300530003](#) [1324640-4](#) [RJ11FTVC2G](#) [RJ11FTVC2N](#) [RJFTVX2SA1G](#) [132764-001](#) [1413235](#) [MP88X-1000](#) [MPS88RX-5000](#) [E5288-S000K3-L](#) [E5908-15A242-L](#) [155302-001](#) [AX100653](#)