

Panel mounting frame set - VS-PPC-F1-RJ45-MNNA-1R-FJJ - 1405361

Please be informed that the data shown in this PDF Document is generated from our Online Catalog. Please find the complete data in the user's documentation. Our General Terms of Use for Downloads are valid (<http://phoenixcontact.com/download>)



RJ45 panel mounting frame, IP67, for push-pull interlocking, metal, with the Freenet system, for rectangular mounting cutout, with seal, without mounting screws: incl. socket/socket insert



Ethernet

Key Commercial Data

Packing unit	1 pc
GTIN	
GTIN	4046356419932

Technical data

Mechanical characteristics

Connection method	Push-Pull
Number of slots	2
Weight	44.3 g
Flammability rating according to UL 94	V0

Material data

Contact surface material	Au/Ni
Width	29.5 mm
Height	42 mm
Length	62.9 mm
Housing surface material 1	Cu/Ni

Electrical characteristics

Number of positions	8
Rated voltage (III/3)	72 V (DC)

Standards and Regulations

Flammability rating according to UL 94	V0
--	----

Environmental Product Compliance

Panel mounting frame set - VS-PPC-F1-RJ45-MNNA-1R-FJJ - 1405361

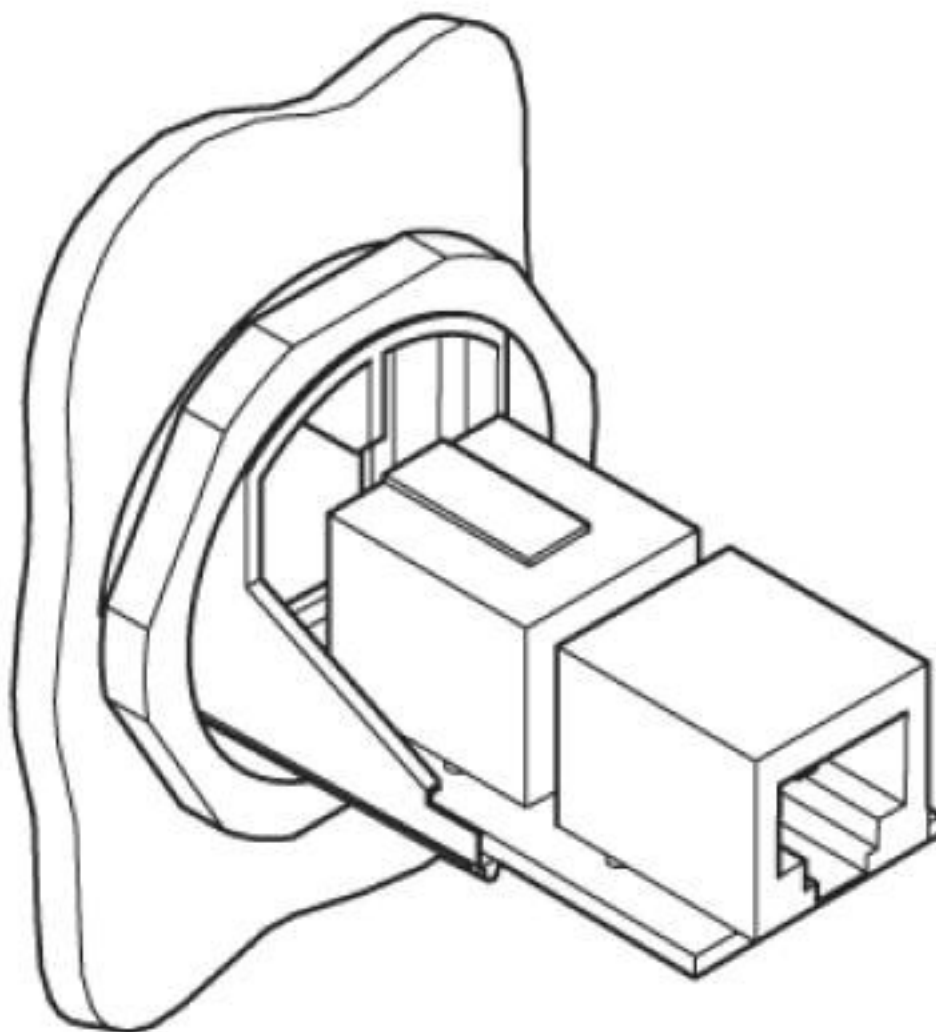
Technical data

Environmental Product Compliance

China RoHS	For details about hazardous substances go to tab "Downloads", Category "Manufacturer's declaration"
------------	---

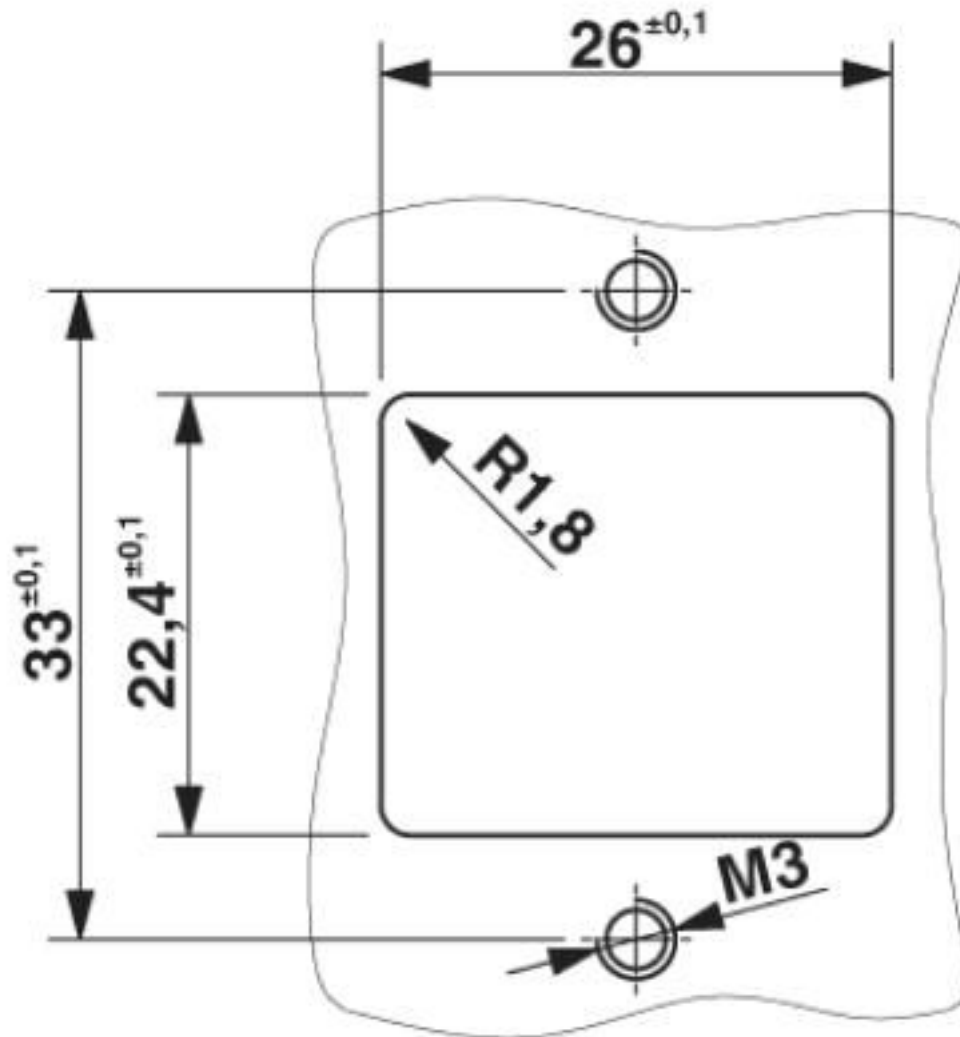
Drawings

Schematic diagram



Panel mounting frame set - VS-PPC-F1-RJ45-MNNA-1R-FJJ - 1405361

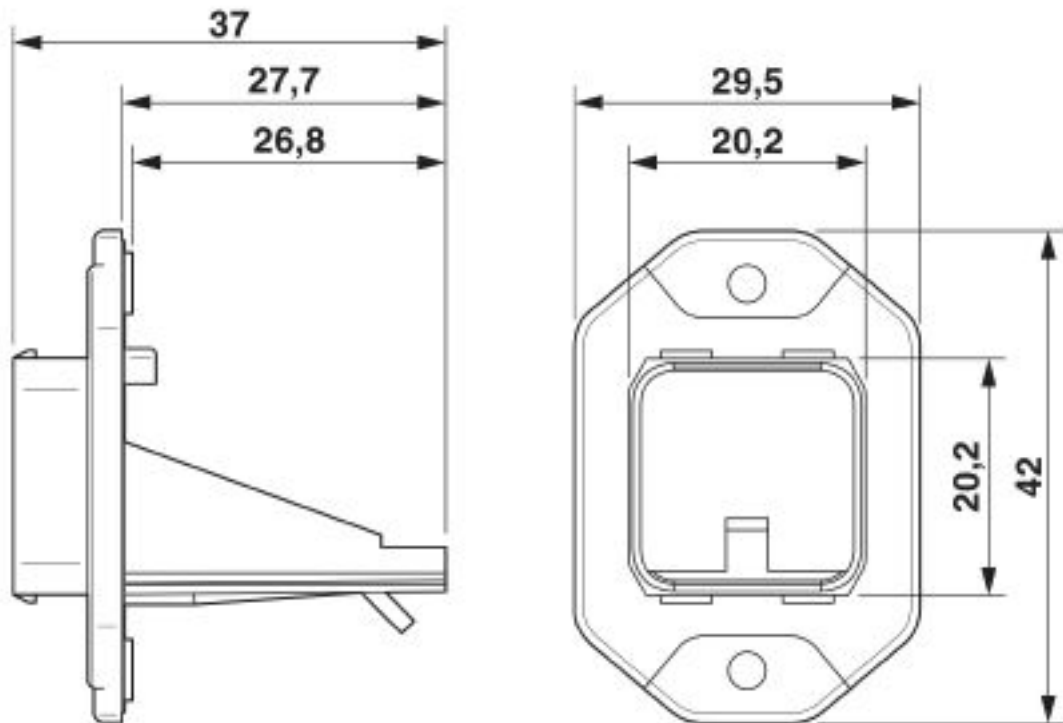
Dimensional drawing



Mounting cutout

Panel mounting frame set - VS-PPC-F1-RJ45-MNNA-1R-FJJ - 1405361

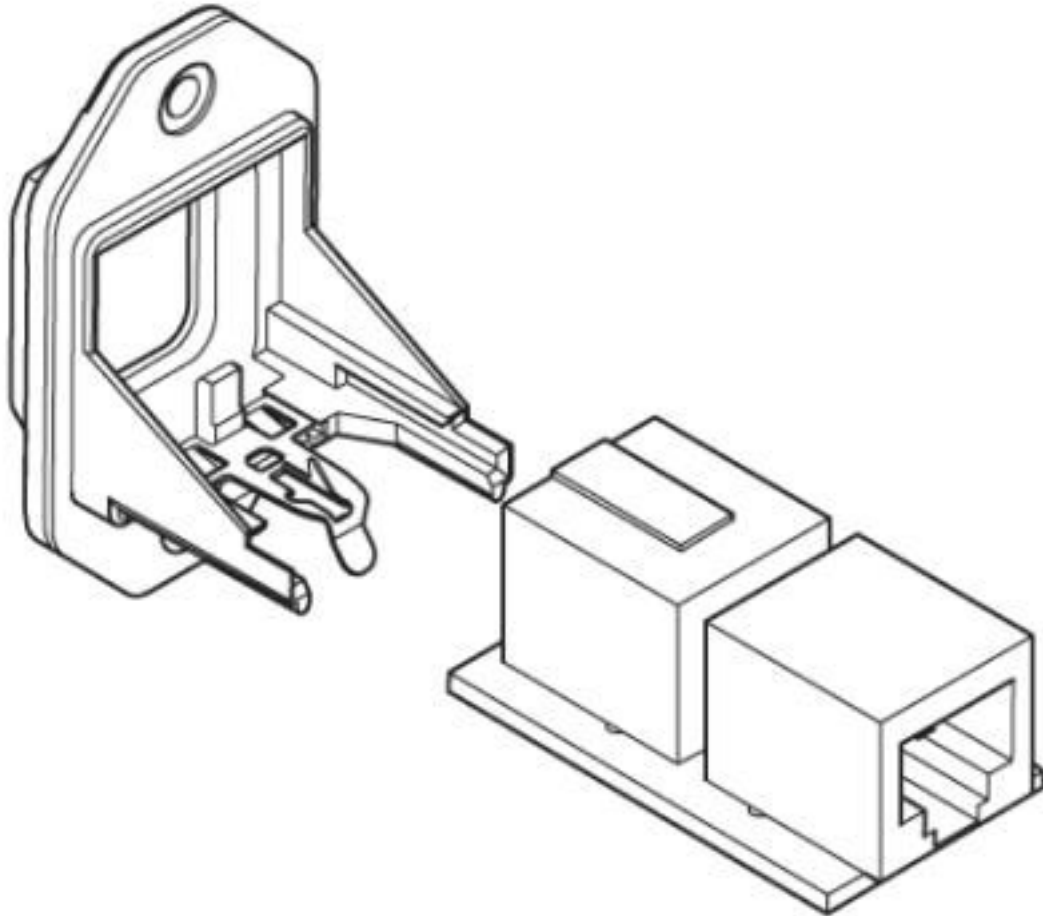
Dimensional drawing



Push-Pull panel mounting frame, Freenet system, IP67

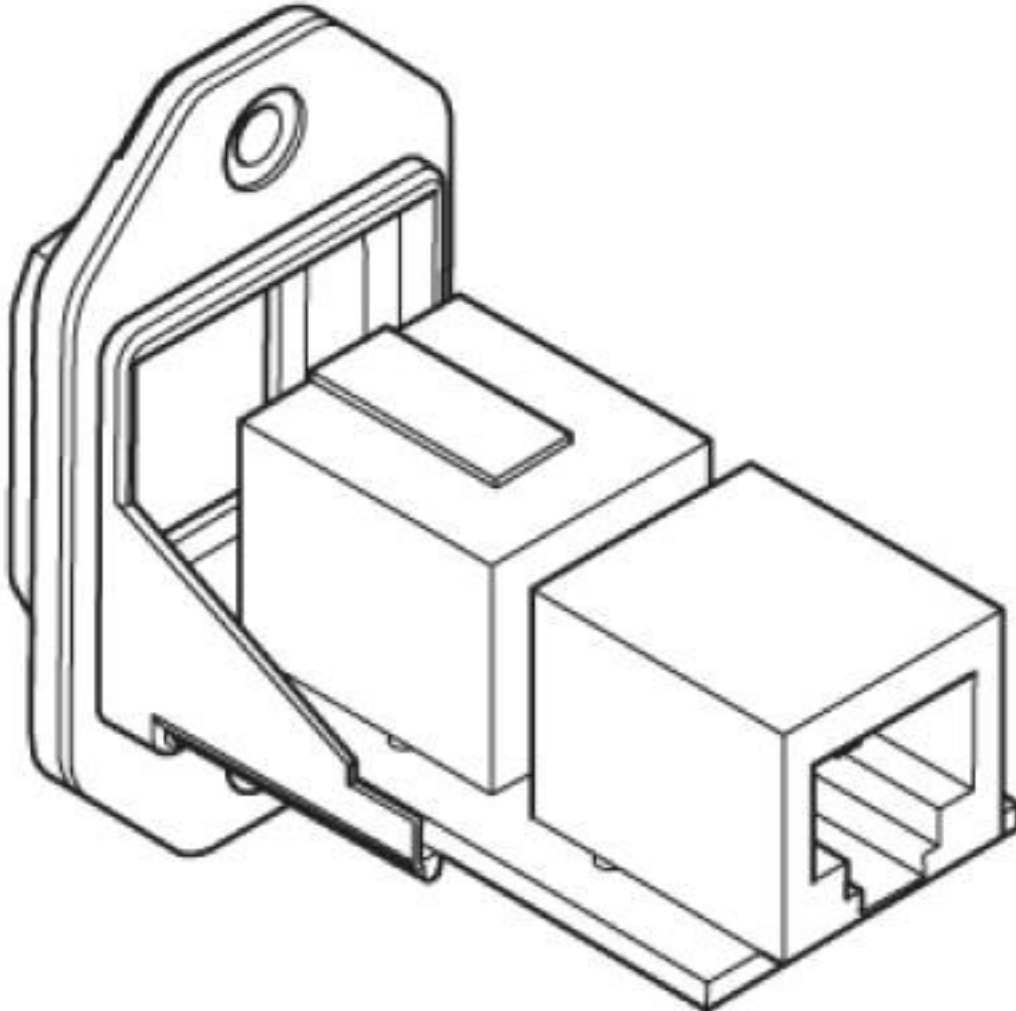
Panel mounting frame set - VS-PPC-F1-RJ45-MNNA-1R-FJJ - 1405361

Schematic diagram



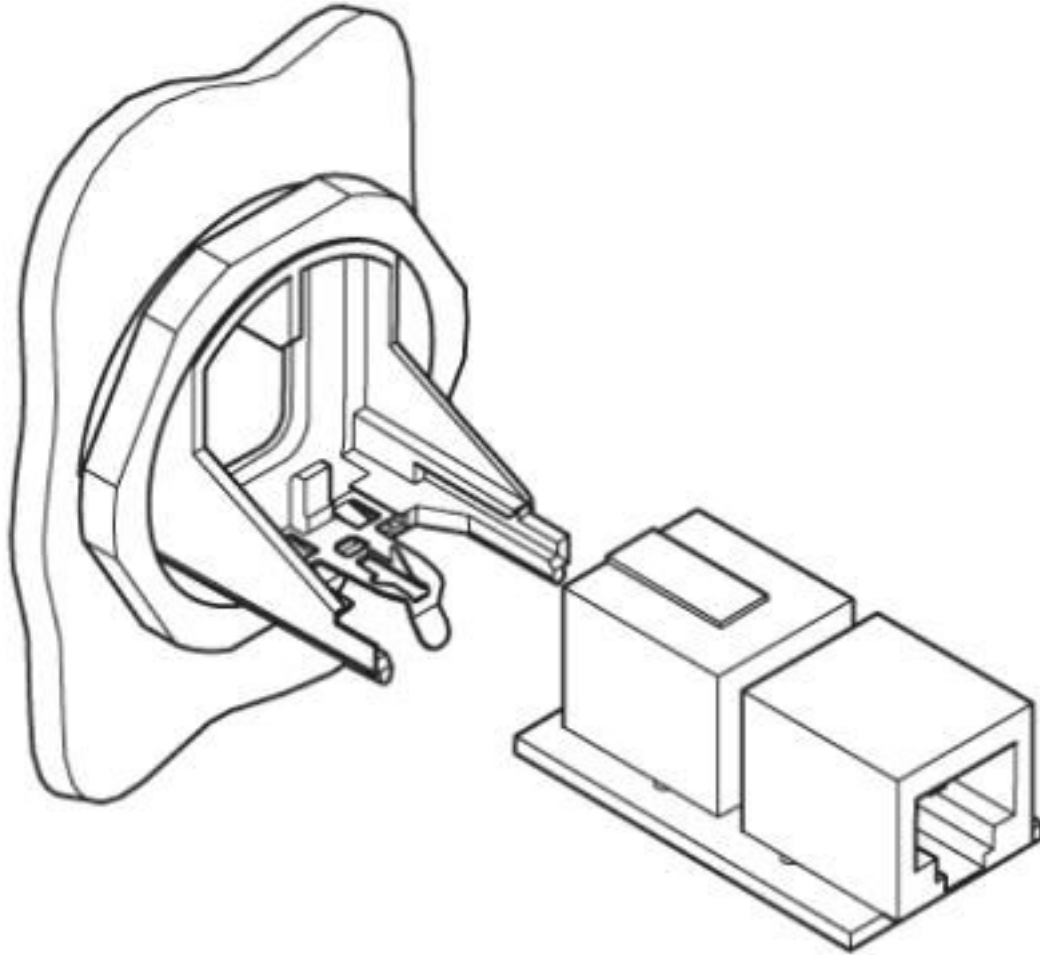
Panel mounting frame set - VS-PPC-F1-RJ45-MNNA-1R-FJJ - 1405361

Schematic diagram



Panel mounting frame set - VS-PPC-F1-RJ45-MNNA-1R-FJJ - 1405361

Schematic diagram



Classifications

eCl@ss

eCl@ss 10.0.1	27440210
eCl@ss 4.0	27260700
eCl@ss 4.1	27260700
eCl@ss 5.0	27260700
eCl@ss 5.1	27260700
eCl@ss 6.0	27261200
eCl@ss 7.0	27440210
eCl@ss 8.0	27440210
eCl@ss 9.0	27440210

ETIM

ETIM 3.0	EC002310
ETIM 4.0	EC002310

Panel mounting frame set - VS-PPC-F1-RJ45-MNNA-1R-FJJ - 1405361

Classifications

ETIM

ETIM 5.0	EC002310
ETIM 6.0	EC002310
ETIM 7.0	EC002310

UNSPSC

UNSPSC 6.01	31261501
UNSPSC 7.0901	31261501
UNSPSC 11	31261501
UNSPSC 12.01	31261501
UNSPSC 13.2	39121421
UNSPSC 18.0	39121421
UNSPSC 19.0	39121421
UNSPSC 20.0	39121421
UNSPSC 21.0	39121421

Approvals

Approvals

Approvals

EAC

Ex Approvals

Approval details

EAC		B.01687
-----	---	---------

Phoenix Contact 2020 © - all rights reserved
<http://www.phoenixcontact.com>

PHOENIX CONTACT GmbH & Co. KG
Flachsmarktstr. 8
32825 Blomberg
Germany
Tel. +49 5235 300
Fax +49 5235 3 41200
<http://www.phoenixcontact.com>

X-ON Electronics

Largest Supplier of Electrical and Electronic Components

Click to view similar products for [Modular Connectors / Ethernet Connectors](#) category:

Click to view products by [Phoenix Contact](#) manufacturer:

Other Similar products are found below :

[8949-H88/06BLKA/SN](#) [74441-0010/BKN](#) [MP1010RX-1000](#) [MP44RX-1000](#) [PHP-6P6C-5](#) [GAX-3-66](#) [GAX-8-62](#) [GDCX-PA-66-50](#) [GDCX-PN-64](#) [GDCX-PN-66](#) [GDCX-PN-66-50](#) [GDLX-A-66](#) [GDLX-N-66](#) [GDLX-S-66](#) [GDLX-S-88K](#) [GDTX-S-88-50](#) [GDX-PA-1010](#) [GLX-N-1010M-BLK](#) [GLX-S-88M-BLK](#) [GMX-N-1010](#) [GMX-S-1010](#) [GMX-S-66](#) [GMX-SMT4-N-88](#) [GPX-2-64](#) [GSGX-N-2-88](#) [GSGX-N-4-88](#) [GSX-NS2-88-3.05](#) [GSX-NS2-88-3.05-50](#) [GSX-NS-88-3.05-50](#) [PT-108A-8C-UL](#) [PT-J951-8C](#) [PTS-J531-8CS-50UL](#) [1-1775629-2](#) [A-2014-0-4](#) [GWLX-S-88-GR](#) [GWLX-S9-88-YG](#) [DC-1021-8-WH-6](#) [1300530003](#) [1324640-4](#) [RJ11FTVC2G](#) [RJ11FTVC2N](#) [RJFTVX2SA1G](#) [132764-001](#) [1413235](#) [MP88X-1000](#) [MPS88RX-5000](#) [E5288-S000K3-L](#) [E5908-15A242-L](#) [155302-001](#) [AX100653](#)