

# Panel mounting frames - VS-PPC-F1-SCRJ-MNNA-1RF - 1405374

Please be informed that the data shown in this PDF Document is generated from our Online Catalog. Please find the complete data in the user's documentation. Our General Terms of Use for Downloads are valid (<http://phoenixcontact.com/download>)



SC-RJ panel mounting frame, IP67, for push-pull interlocking, metal, with Freenet system, for rectangular mounting cutout, with seal and SC-RJ coupling (for POF, PCF, and GOF), without mounting screws



## Key Commercial Data

Packing unit	1 pc
GTIN	
GTIN	4046356419925

## Technical data

### Mechanical characteristics

Connection method	Push-Pull
Degree of pollution	2
Cable outlet	straight
Locking type	Push Pull
Weight	35.6 g
Flammability rating according to UL 94	V0

### Ambient conditions

Ambient temperature (operation)	-40 °C ... 70 °C
Ambient temperature (assembly)	0 °C ... 50 °C
Ambient temperature (storage/transport)	-40 °C ... 70 °C
Degree of protection	IP67 (IP65/67)

### Material data

Housing material	Zinc die-cast
Housing surface material	Nickel-plated
Width	22.2 mm
Height	42 mm

## Panel mounting frames - VS-PPC-F1-SCRJ-MNNA-1RF - 1405374

### Technical data

#### Electrical characteristics

Number of positions	2
Degree of pollution	2

#### Standards and Regulations

Flame resistance	yes
Resistance to oil	yes
Flammability rating according to UL 94	V0

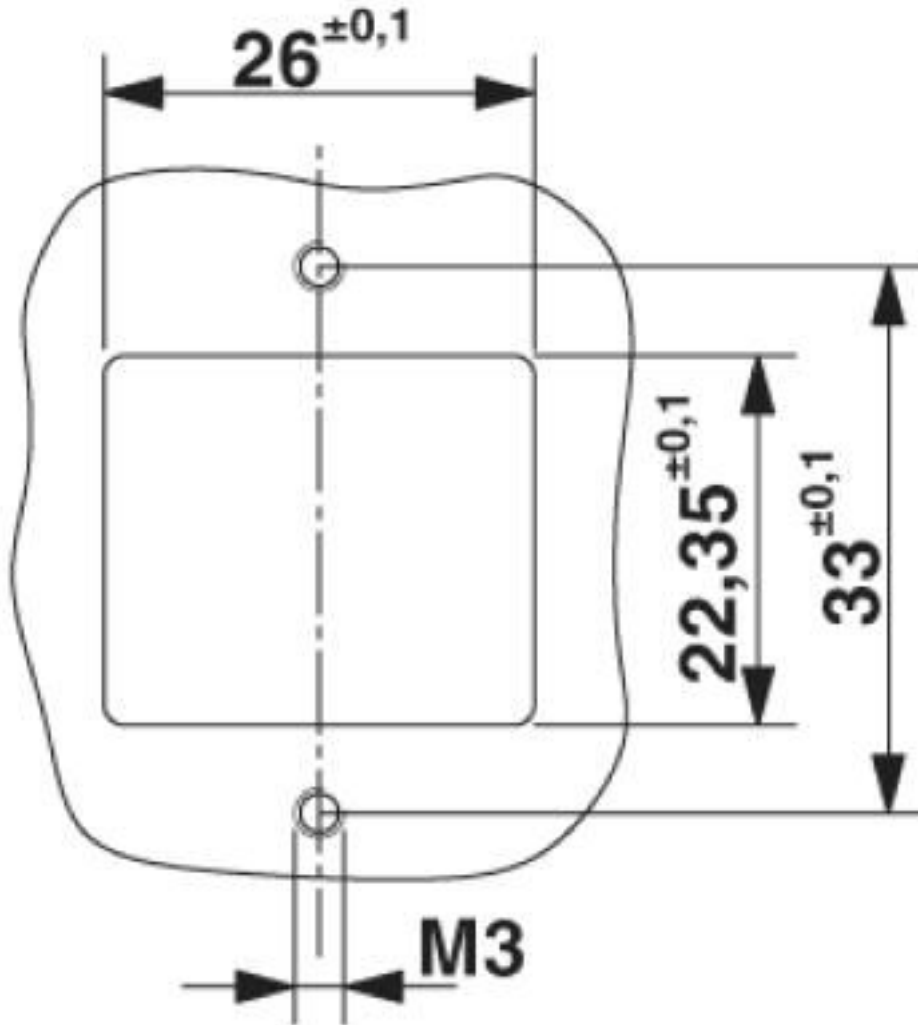
#### Environmental Product Compliance

China RoHS	For details about hazardous substances go to tab "Downloads", Category "Manufacturer's declaration"
------------	---

### Drawings

# Panel mounting frames - VS-PPC-F1-SCRJ-MNNA-1RF - 1405374

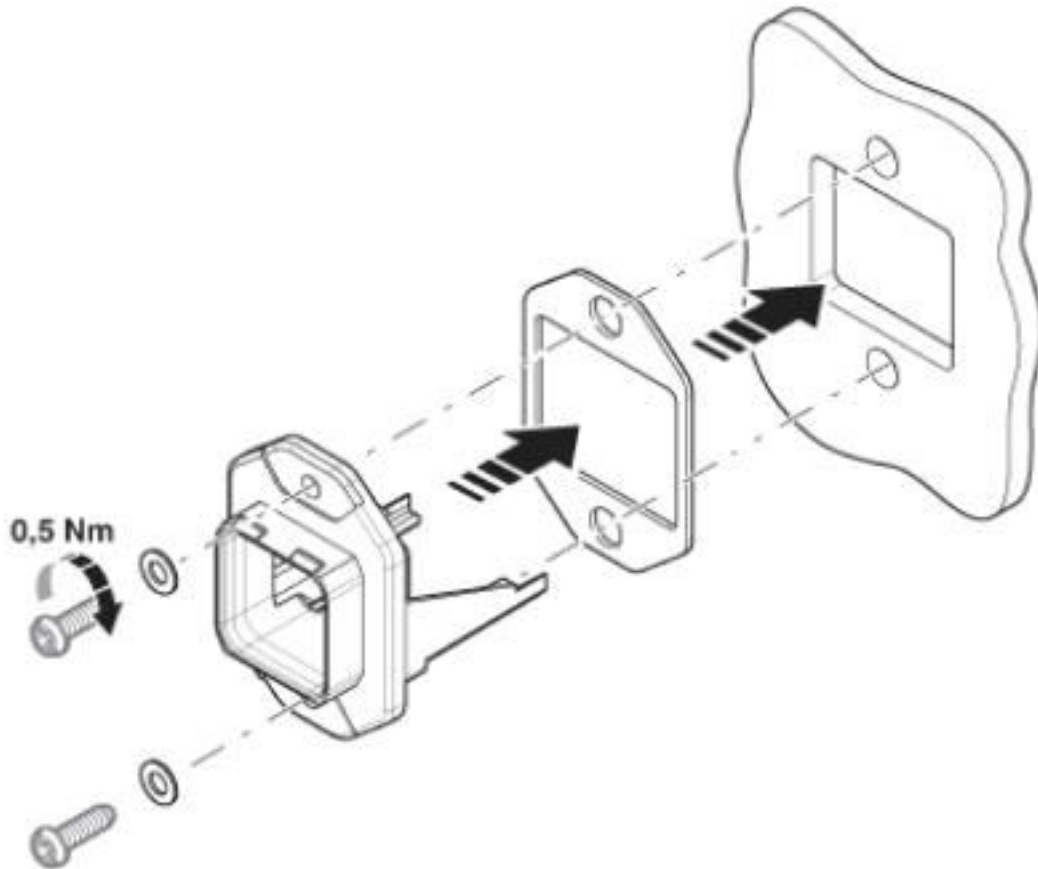
Dimensional drawing



Mounting cutout

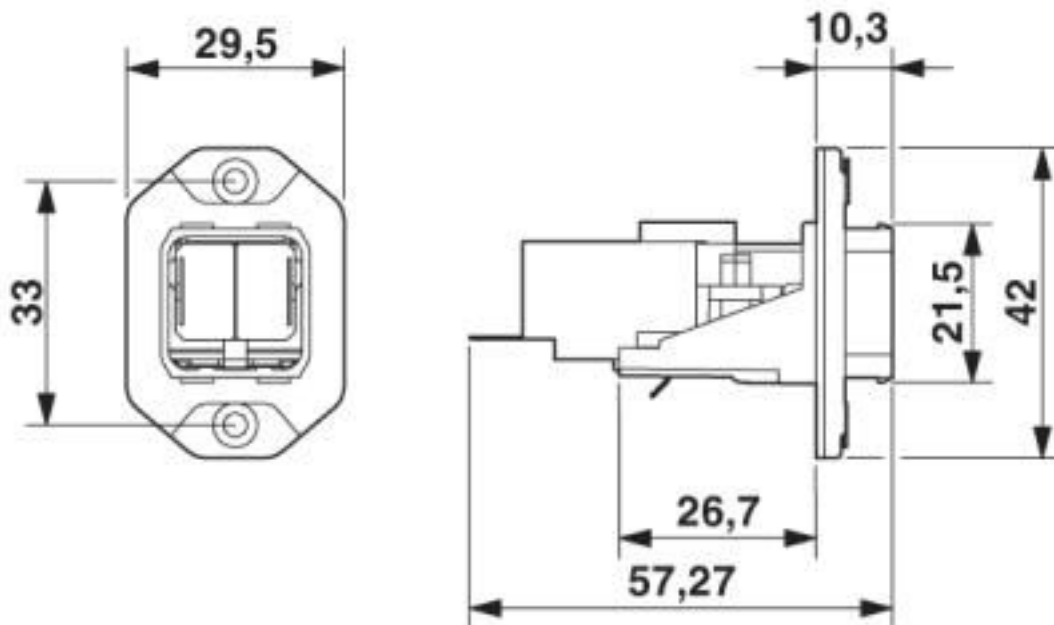
# Panel mounting frames - VS-PPC-F1-SCRJ-MNNA-1RF - 1405374

Exploded view



# Panel mounting frames - VS-PPC-F1-SCRJ-MNNA-1RF - 1405374

Dimensional drawing



Push-Pull SC-RJ panel mounting frame

## Classifications

eCl@ss

eCl@ss 10.0.1	27440210
eCl@ss 4.0	27260700
eCl@ss 4.1	27260700
eCl@ss 5.0	27260700
eCl@ss 5.1	27260700
eCl@ss 6.0	27261200
eCl@ss 7.0	27440210
eCl@ss 8.0	27440210
eCl@ss 9.0	27440210

ETIM

ETIM 3.0	EC002310
ETIM 4.0	EC002310
ETIM 5.0	EC002310
ETIM 6.0	EC002310
ETIM 7.0	EC002310

UNSPSC

UNSPSC 6.01	31261501
UNSPSC 7.0901	31261501

# Panel mounting frames - VS-PPC-F1-SCRJ-MNNA-1RF - 1405374

## Classifications

### UNSPSC

UNSPSC 11	31261501
UNSPSC 12.01	31261501
UNSPSC 13.2	39121421
UNSPSC 18.0	39121421
UNSPSC 19.0	39121421
UNSPSC 20.0	39121421
UNSPSC 21.0	39121421

## Approvals

### Approvals

---

Approvals

EAC

---

Ex Approvals

---

### Approval details

EAC		B.01742
-----	---	---------

---

Phoenix Contact 2020 © - all rights reserved  
<http://www.phoenixcontact.com>

PHOENIX CONTACT GmbH & Co. KG  
Flachsmarktstr. 8  
32825 Blomberg  
Germany  
Tel. +49 5235 300  
Fax +49 5235 3 41200  
<http://www.phoenixcontact.com>

## X-ON Electronics

Largest Supplier of Electrical and Electronic Components

*Click to view similar products for [Modular Connectors / Ethernet Connectors](#) category:*

*Click to view products by [Phoenix Contact](#) manufacturer:*

Other Similar products are found below :

[8949-H88/06BLKA/SN](#) [74441-0010/BKN](#) [MP1010RX-1000](#) [MP44RX-1000](#) [PHP-6P6C-5](#) [GAX-3-66](#) [GAX-8-62](#) [GDCX-PA-66-50](#) [GDCX-PN-64](#) [GDCX-PN-66](#) [GDCX-PN-66-50](#) [GDLX-A-66](#) [GDLX-N-66](#) [GDLX-S-66](#) [GDLX-S-88K](#) [GDTX-S-88-50](#) [GDX-PA-1010](#) [GLX-N-1010M-BLK](#) [GLX-S-88M-BLK](#) [GMX-N-1010](#) [GMX-S-1010](#) [GMX-S-66](#) [GMX-SMT4-N-88](#) [GPX-2-64](#) [GSGX-N-2-88](#) [GSGX-N-4-88](#) [GSX-NS2-88-3.05](#) [GSX-NS2-88-3.05-50](#) [GSX-NS-88-3.05-50](#) [PT-108A-8C-UL](#) [PT-J951-8C](#) [PTS-J531-8CS-50UL](#) [1-1775629-2](#) [A-2014-0-4](#) [GWLX-S-88-GR](#) [GWLX-S9-88-YG](#) [DC-1021-8-WH-6](#) [1300530003](#) [1324640-4](#) [RJ11FTVC2G](#) [RJ11FTVC2N](#) [RJFTVX2SA1G](#) [132764-001](#) [1413235](#) [MP88X-1000](#) [MPS88RX-5000](#) [E5288-S000K3-L](#) [E5908-15A242-L](#) [155302-001](#) [AX100653](#)