

T distributor - QPD T 4PE 3X9-16 BK - 1405402

Please be informed that the data shown in this PDF Document is generated from our Online Catalog. Please find the complete data in the user's documentation. Our General Terms of Use for Downloads are valid (<http://phoenixcontact.com/download>)




QUICKON T-distributor, black, 4+PE-pos., 1.0 mm² ... 2.5 mm²/690 V/20 A, for cable diameter of 9 mm ... 16 mm, with three QUICKON nuts

Your advantages

- ✓ Innovative and time saving - QUICKON fast connection for time saving of up to 80 % for on-site connection
- ✓ Convenient: quick and easy assembly without special tools
- ✓ Robust throughout: housing with IP68/IP69K and IK07 protection for a wide range of applications
- ✓ Safer connection thanks to polarization against mismatching and touch-proof protection according to DIN EN 0105
- ✓ Flexible and compact - by connecting connections internally, H and T-distributors can be used to branch master cables or they can be used as star distributors



Key Commercial Data

| | |
|--------------|---|
| Packing unit | 1 pc |
| GTIN |  4 046356 776097 |
| GTIN | 4046356776097 |

Technical data

General

| | |
|---------------------------------------|--------------------------------------|
| Type | T-distributor |
| Color | black |
| Locking type | Screw locking |
| Connection method | QUICKON connection IDC connection |
| Number of positions | 5 |
| Note number of positions | 4+PE |
| Wrench size, union nut | 27 mm |
| Tightening torque, union nut | 10 Nm |
| Number of connections | 3 |
| Conductor cross section flexible min. | 1 mm ² |

T distributor - QPD T 4PE 3X9-16 BK - 1405402

Technical data

General

| | |
|---------------------------------------|---------------------|
| Conductor cross section flexible max. | 2.5 mm ² |
| Conductor cross section solid min. | 1 mm ² |
| Conductor cross section solid max. | 2.5 mm ² |
| Conductor cross section AWG min. | 16 |
| Conductor cross section AWG max. | 14 |

Cabel

| | |
|---|------------------------------------|
| Structure of individual litz in acc. with VDE 0295 / smallest wire diameter | VDE 0295 class 1 to 6/min. 0.15 mm |
| Wire insulation material | PVC/PE/TPE/rubber |
| Wire diameter including insulation | 2 mm ... 3.8 mm |
| External cable diameter | 9 mm ... 16 mm |
| Position marking | 1, 2, 3, N, PE |

Ambient conditions

| | |
|---|---|
| Degree of protection | IP68 (2 m / 24 h) |
| | IP69K |
| Ambient temperature (operation) | -40 °C ... 100 °C (See also derating-diagram) |
| Ambient temperature (storage/transport) | -40 °C ... 100 °C |
| Temperature when conductor connected | -5 °C ... 50 °C |

Electrical characteristics

| | |
|--------------------------------|----------------------------------|
| Nominal current I _N | 20 A |
| Nominal voltage U _N | 690 V AC |
| | 690 V DC |
| Rated current | 20 A (See also derating-diagram) |
| Rated voltage (III/3) | 690 V |
| Rated voltage (III/2) | 1000 V |
| Rated voltage (II/2) | 1000 V |
| Rated surge voltage (III/3) | 6 kV |
| Rated surge voltage (III/2) | 8 kV |
| Rated surge voltage (II/2) | 8 kV |

Mechanical characteristics

| | |
|-----------------------------|----------------------------------|
| QUICKON connectability | max. 10 |
| Insertion/withdrawal cycles | 50 (QUICKON connections max. 10) |
| Category of shock impact | IK07 (-25 °C) |

Material data

| | |
|--|---------------|
| Contact material | Cu |
| Contact surface material | silver-plated |
| Contact carrier material | PA |
| Insulating material | PA |
| Flammability rating according to UL 94 | V0 |

T distributor - QPD T 4PE 3X9-16 BK - 1405402

Technical data

Material data

| | |
|----------------------|-----|
| Overvoltage category | III |
| Degree of pollution | 3 |

Standards and Regulations

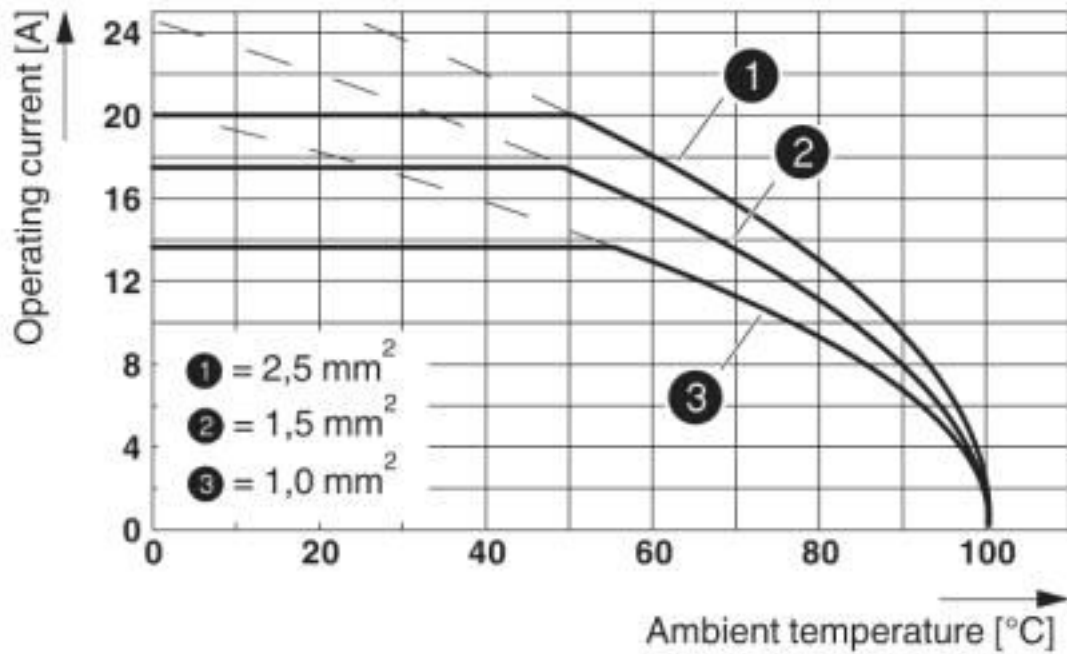
| | |
|--|---------------|
| Category of shock impact | IK07 (-25 °C) |
| Flammability rating according to UL 94 | V0 |

Environmental Product Compliance

| | |
|------------|----------------|
| REACH SVHC | Lead 7439-92-1 |
|------------|----------------|

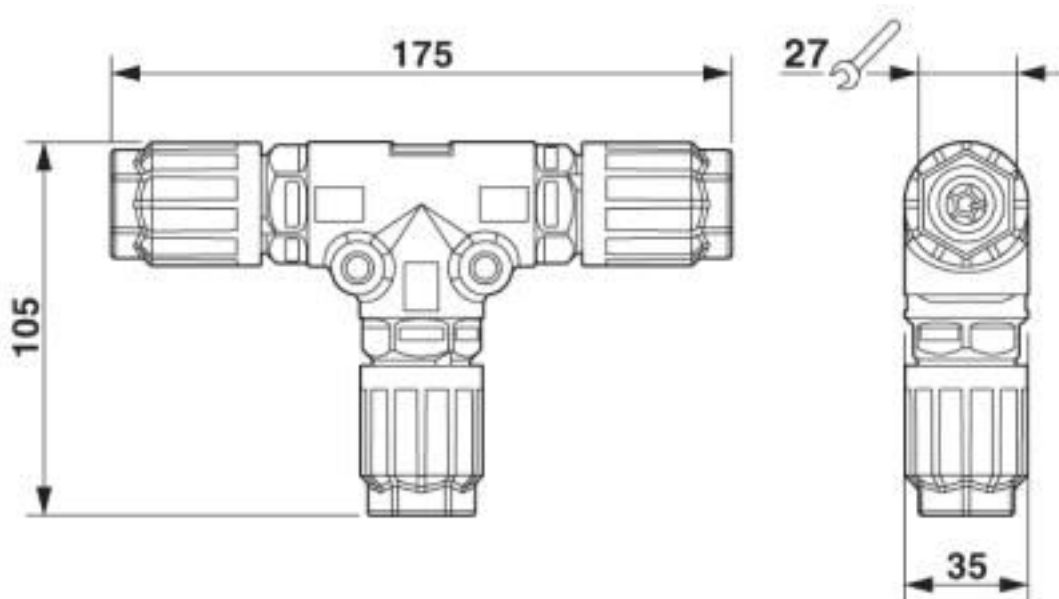
Drawings

Diagram



T distributor - QPD T 4PE 3X9-16 BK - 1405402

Dimensional drawing



Dimensional drawing

Classifications

eCl@ss

| | |
|---------------|----------|
| eCl@ss 10.0.1 | 27440603 |
| eCl@ss 4.0 | 27140800 |
| eCl@ss 4.1 | 27140800 |
| eCl@ss 5.0 | 27143400 |
| eCl@ss 5.1 | 27143400 |
| eCl@ss 6.0 | 27143400 |
| eCl@ss 7.0 | 27440603 |
| eCl@ss 8.0 | 27440603 |
| eCl@ss 9.0 | 27440603 |

ETIM

| | |
|----------|----------|
| ETIM 3.0 | EC000516 |
| ETIM 4.0 | EC000516 |
| ETIM 5.0 | EC002567 |
| ETIM 6.0 | EC002567 |
| ETIM 7.0 | EC002567 |

UNSPSC

| | |
|---------------|----------|
| UNSPSC 6.01 | 30211923 |
| UNSPSC 7.0901 | 39121522 |
| UNSPSC 11 | 39121522 |

T distributor - QPD T 4PE 3X9-16 BK - 1405402

Classifications

UNSPSC

| | |
|--------------|----------|
| UNSPSC 12.01 | 39121522 |
| UNSPSC 13.2 | 31251501 |
| UNSPSC 18.0 | 39121410 |
| UNSPSC 19.0 | 39121410 |
| UNSPSC 20.0 | 39121410 |
| UNSPSC 21.0 | 39121410 |

Approvals

Approvals

Approvals

IECEE CB Scheme / VDE Zeichengenehmigung / EAC / DNV GL / EAC

Ex Approvals

Approval details

| | | | |
|-----------------|--|---|-----------|
| IECEE CB Scheme | | http://www.iecee.org/ | DE1-61559 |
|-----------------|--|---|-----------|

| | | | |
|----------------------------|-------|---|----------|
| VDE Zeichengenehmigung | | http://www2.vde.com/de/Institut/Online-Service/VDE-gepruefteProdukte/Seiten/Online-Suche.aspx | 40029149 |
| Nominal voltage UN | 690 V | | |
| Nominal current IN | 20 A | | |
| mm ² /AWG/kcmil | 1-2.5 | | |

| | | | |
|-----|--|--|--------------------------|
| EAC | | | RU C- DE.AI30.B.01102 |
|-----|--|--|--------------------------|

| | | | |
|--------|--|---|------------|
| DNV GL | | https://approvalfinder.dnvgl.com/ | TAE00003J5 |
|--------|--|---|------------|

T distributor - QPD T 4PE 3X9-16 BK - 1405402

Approvals

| | | |
|-----|--|--------------------------|
| EAC | | RU C- DE.BL08.B.00511 |
|-----|--|--------------------------|

Accessories

Accessories

Coding element

Coding profile - CP-QPD 5X2,5 - 1404530



Coding profile, red, for insertion into the 5-pos. QUICKON dome and connector, can be positioned in 72° increments.

Device marking

Engraving material - GPE 13X 9 WH - 0806932



Engraving material, Sheet, white, unlabeled, can be labeled with: PLOTMARK, ENGRAVING UNIT, CMS-P1-PLOTTER, P1 ENGRAVING UNIT, mounting type: adhesive, lettering field size: 13 x 9 mm, Number of individual labels: 120

Plastic label - EMLP (13X9)R - 0819453



Plastic label, Roll, white, unlabeled, can be labeled with: THERMOMARK ROLLMASTER 300/600, THERMOMARK X1.2, THERMOMARK ROLL X1, THERMOMARK ROLL 2.0, THERMOMARK ROLL, mounting type: adhesive, lettering field size: 13 x 9 mm, Number of individual labels: 500

Protective cap

Protective cap - QPD QSK 5X2,5 - 1404528



Protective cap, transparent plastic, for 5x 2.5 mm² QPD QUICKON connection, IP50.

T distributor - QPD T 4PE 3X9-16 BK - 1405402

Accessories

Protective cap - QPD QSK BK 5X2,5 FS - 1404525

Protective cap, plastic, for QUICKON connection, black, with retaining cord, IP68



Sealing plugs

Closing cap - SEALING PLUG 14X22 RD - 1400270



Closing cap, material: PA, for threads pluggable, color: red

Socket spanner

Socket wrench - QSS 27 - 1670646



Allen wrench, for loosening and fastening the QUICKON union nut, WAF 27 mm

Phoenix Contact 2020 © - all rights reserved
<http://www.phoenixcontact.com>

PHOENIX CONTACT GmbH & Co. KG
Flachsmarktstr. 8
32825 Blomberg
Germany
Tel. +49 5235 300
Fax +49 5235 3 41200
<http://www.phoenixcontact.com>

X-ON Electronics

Largest Supplier of Electrical and Electronic Components

Click to view similar products for [Terminal Block Tools & Accessories](#) category:

Click to view products by [Phoenix Contact](#) manufacturer:

Other Similar products are found below :

[1029563](#) [00171430102](#) [00171420102](#) [014415](#) [CSTSPC1-2](#) [9-1437653-4](#) [928358-1](#) [QC209/J](#) [HCL10-6](#) [1437403-6](#) [1437403-9](#) [1437403-8](#)
[147832-1](#) [EC0037-000](#) [MT2/H--](#) [MT2/H-32](#) [MT6/H-N](#) [MT6/V-GRND](#) [MT8/H-101-110](#) [BB2-09BF](#) [EP2.5/4UN/BG](#) [1707755](#) [1735590](#)
[1755480](#) [1760336](#) [BO3-02](#) [1789281](#) [1840227](#) [1840230](#) [1893164](#) [2-1437402-1](#) [2-1437644-9](#) [JB2-09/J](#) [2202307](#) [2302463](#) [2305949](#) [2310581](#)
[8TK2-24](#) [91.201.1](#) [L2U2](#) [2778.0](#) [2890137](#) [2901107](#) [2901123](#) [2901699](#) [2MP/J](#) [2MV-06](#) [1705126](#) [1756294](#) [F03-25](#)