

Distributor - SAC-ASI-J-Y-Y-N - 1405622


Please be informed that the data shown in this PDF Document is generated from our Online Catalog. Please find the complete data in the user's documentation. Our General Terms of Use for Downloads are valid (<http://phoenixcontact.com/download>)



AS-Interface H-distributor with a high degree of protection, parallel wired, for the distribution of AS-Interface flat-ribbon conductors



Key Commercial Data

Packing unit	1 pc
GTIN	 4 046356 754934
GTIN	4046356754934

Technical data

Ambient conditions

Degree of protection	IP65
	IP67
	IP69K
Ambient temperature (operation)	-25 °C ... 75 °C
Ambient temperature (storage/transport)	-25 °C ... 85 °C

General data

Rated current at 40°C	8 A
Rated voltage	≤ 32 V DC
Number of positions	4
Overvoltage category	III
Degree of pollution	3
Alternative short product description	H distributor
Connection method	AS-i penetration technique

Characteristics head 1

Head type	Load center AS-i Screw locking
No. of positions (pin connector pattern)	4
Material (component)	CuSn (Contact)

Distributor - SAC-ASI-J-Y-Y-N - 1405622

Technical data

Characteristics head 1

	Ni/Au (Contact surface)
	PBT (Contact carriers)
	PBT (Housing)
	Stainless steel (Screw connection)
Torque	1.65 Nm (Locking screw)

Characteristics head 2

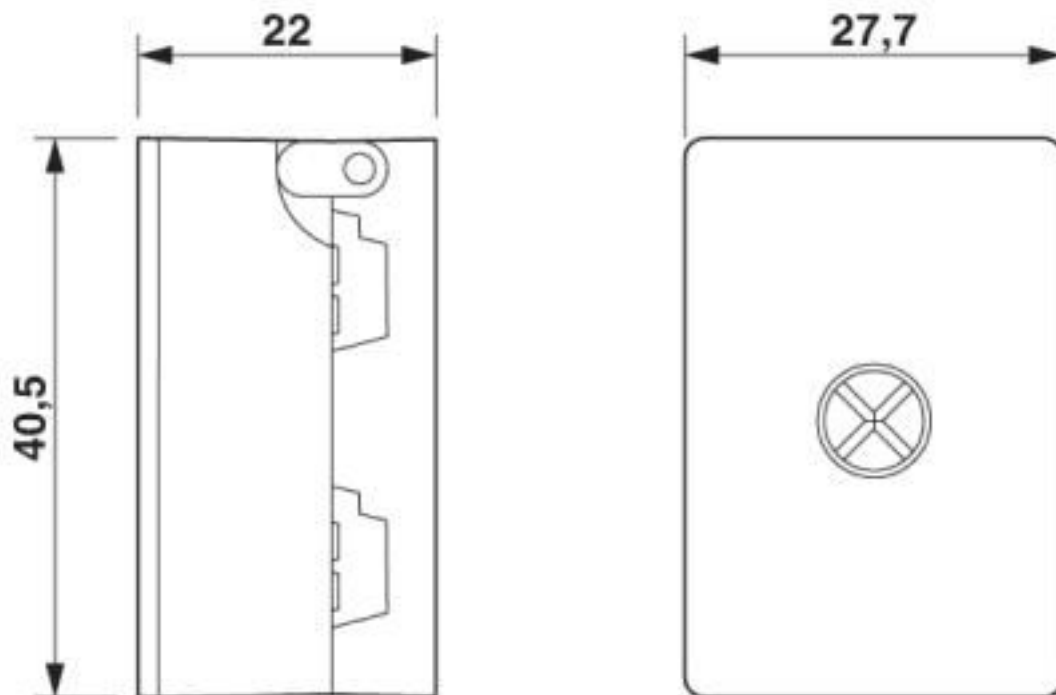
Color	black
-------	-------

Environmental Product Compliance

China RoHS	Environmentally friendly use period: unlimited = EFUP-e
	No hazardous substances above threshold values

Drawings

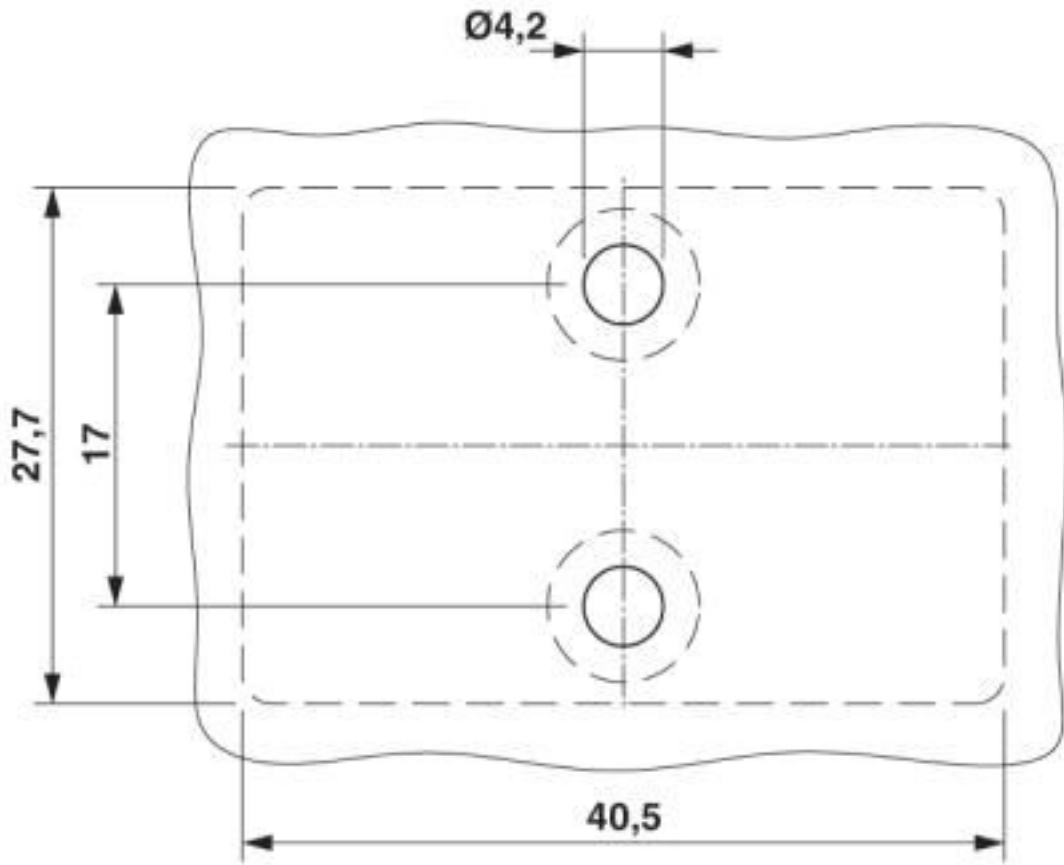
Dimensional drawing



Distributor, AS-Interface

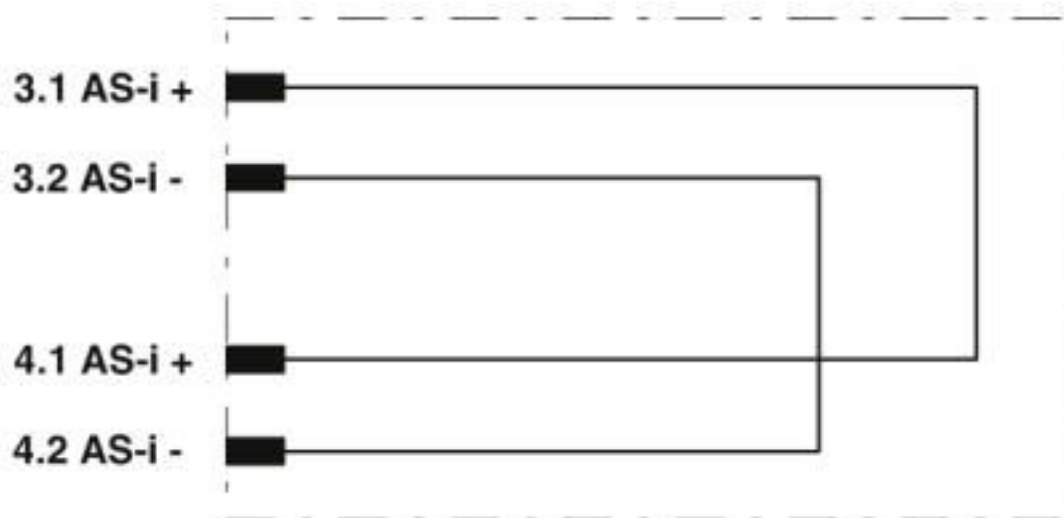
Distributor - SAC-ASI-J-Y-Y-N - 1405622

Dimensional drawing



Distance and position of the mounting holes

Circuit diagram



Contact assignment of the AS-Interface distributor

Distributor - SAC-ASI-J-Y-Y-N - 1405622

Classifications

eCl@ss

eCl@ss 10.0.1	27440106
eCl@ss 4.0	27060700
eCl@ss 4.1	27060700
eCl@ss 5.0	27400200
eCl@ss 5.1	27250300
eCl@ss 6.0	27279200
eCl@ss 7.0	27440104
eCl@ss 8.0	27279219
eCl@ss 9.0	27440106

ETIM

ETIM 3.0	EC000516
ETIM 4.0	EC002585
ETIM 5.0	EC002062
ETIM 6.0	EC002925
ETIM 7.0	EC002925

UNSPSC

UNSPSC 6.01	31261501
UNSPSC 7.0901	31261501
UNSPSC 11	31261501
UNSPSC 12.01	31261501
UNSPSC 13.2	31251501
UNSPSC 19.0	31251501
UNSPSC 20.0	31251501
UNSPSC 21.0	31251501

Accessories

Accessories

Data cable by the meter

Flat-ribbon conductor - VS-ASI-FC-EPDM-YE 100M - 1432402



AS-Interface EPDM flat conductor in yellow, 2 x 1.5 mm², 100 m ring

Distributor - SAC-ASI-J-Y-Y-N - 1405622

Accessories

Flat-ribbon conductor - VS-ASI-FC-EPDM-BK 100M - 1432415



AS-Interface EPDM flat conductor in black, for additional power supply, 2 x 1.5 mm², 100 m ring

Flat-ribbon conductor - VS-ASI-FC-PVC-UL-YE 100M - 1404906



AS-Interface PVC flat conductor with UL in yellow, 2 x 1.5 mm², 100 m ring

Flat-ribbon conductor - VS-ASI-FC-PVC-UL-BK 100M - 1404919



AS-Interface PVC flat conductor with UL in black, for additional power supply, 2 x 1.5 mm², 100 m ring

Flat-ribbon conductor - VS-ASI-FC-TPE-UL-YE 100M - 1404922



AS-Interface TPE flat conductor with UL in yellow, 2 x 1.5 mm², 100 m ring

Flat-ribbon conductor - VS-ASI-FC-TPE-UL-BK 100M - 1404935



AS-Interface TPE flat conductor with UL in black, for additional power supply, 2 x 1.5 mm², 100 m ring

Distributor - SAC-ASI-J-Y-Y-N - 1405622

Accessories

Flat-ribbon conductor - VS-ASI-FC-PUR-YE 100M - 1404883



AS-Interface PUR flat conductor in yellow, 2 x 1.5 mm², 100 m ring

Flat-ribbon conductor - VS-ASI-FC-PUR-BK 100M - 1404896



AS-Interface PUR flat conductor in black, for additional power supply, 2 x 1.5 mm², 100 m ring

Screwdriver tools

Screwdriver - SZK PH2 VDE - 1205163



Screwdriver, PH crosshead, VDE insulated, size: PH 2 x 100 mm, 2-component grip, with non-slip grip

Phoenix Contact 2020 © - all rights reserved
<http://www.phoenixcontact.com>

PHOENIX CONTACT GmbH & Co. KG
Flachsmarktstr. 8
32825 Blomberg
Germany
Tel. +49 5235 300
Fax +49 5235 3 41200
<http://www.phoenixcontact.com>

X-ON Electronics

Largest Supplier of Electrical and Electronic Components

Click to view similar products for [Sensor Fixings & Accessories](#) category:

Click to view products by [Phoenix Contact](#) manufacturer:

Other Similar products are found below :

[F03-01 SUS304 BINIL](#) [8000-5130](#) [FH-AP1](#) [PH-1-10M](#) [PH-1-20M](#) [PH-2-30M](#) [AC201](#) [R4](#) [ADI-LC3S](#) [EC18-WELL](#) [PC-15015](#) [K35-4](#) [A-1923](#) [SS-12143](#) [STA12](#) [AP4-T](#) [PH-1-50M](#) [R6](#) [D01051301](#) [43912557-020](#) [MF-1 D=3.2](#) [BGN-035](#) [E39-L7](#) [ZX-SB11](#) [D01070602](#) [606072](#) [606075](#) [Y92ES12PVC4A10ML](#) [Y92ES12PVC4S5ML](#) [SA9Z-F11](#) [Z49-SF1](#) [ZFV-XMF2](#) [E4R-R12A-CS3M010](#) [28810-2](#) [ZX-SW11E V3](#) [CCS-PL-LDR2-70](#) [E4R-R12A-CS3M020](#) [BS-1T CHITAN](#) [F03-01 CHITAN](#) [CCS-PD2-1012](#) [ZX-SFW11E V3](#) [PH-2-90M](#) [PH-2-5M](#) [XMLZL008](#) [AC244](#) [28810-1](#) [PH-1-40M](#) [SS-12225](#) [32043-500](#) [81532111](#)