

# Sensor/actuator cable - SAC-4P-M8MS/1,5-542/M8FR SH BK - 1406003

Please be informed that the data shown in this PDF Document is generated from our Online Catalog. Please find the complete data in the user's documentation. Our General Terms of Use for Downloads are valid (<http://phoenixcontact.com/download>)



Sensor/actuator cable, 4-position, PVC, yellow, shielded, Plug straight M8, on Socket angled M8, cable length: 1.5 m



## Key Commercial Data

|                        |               |
|------------------------|---------------|
| Packing unit           | 1 pc          |
| Minimum order quantity | 50 pc         |
| GTIN                   |               |
| GTIN                   | 4046356800266 |

## Technical data

### Dimensions

|                 |       |
|-----------------|-------|
| Length of cable | 1.5 m |
|-----------------|-------|

### Ambient conditions

|                                 |                                  |
|---------------------------------|----------------------------------|
| Ambient temperature (operation) | -25 °C ... 90 °C (Plug / socket) |
| Degree of protection            | IP65                             |
|                                 | IP67                             |

### General

|                              |                              |
|------------------------------|------------------------------|
| Rated current at 40°C        | 4 A                          |
| Rated voltage                | 48 V AC                      |
|                              | 60 V DC                      |
| Number of positions          | 4                            |
| Insulation resistance        | ≥ 100 MΩ                     |
| Coding                       | A - standard                 |
| Standards/regulations        | M8 connector IEC 61076-2-104 |
| Status display               | No                           |
| Protective circuit/component | unwired                      |
| Overvoltage category         | II                           |

# Sensor/actuator cable - SAC-4P-M8MS/1,5-542/M8FR SH BK - 1406003

## Technical data

### General

|                             |                        |
|-----------------------------|------------------------|
| Degree of pollution         | 3                      |
| Insertion/withdrawal cycles | ≥ 100                  |
| Torque                      | 0.2 Nm (M8 connectors) |

### Material

|  |   |
|--|---|
| Flammability rating according to UL 94 | HB  |
| Contact material                       | CuSn  |
| Contact surface material               | Ni/Au                                       |
| Contact carrier material               | TPU GF                                      |
| Material of grip body                  | TPU, hardly inflammable, self-extinguishing |
| Material, knurls                       | Zinc die-cast, nickel-plated                |
| Sealing material                       | NBR   |

### Standards and Regulations

|  |                              |
|--|------------------------------|
| Standards/specifications               | M8 connector IEC 61076-2-104 |
| Flammability rating according to UL 94 | HB                           |

### Cable

|   |   |
|---|---|
| Cable type                                    | PVC yellow 105 °C                             |
| Cable type (abbreviation)                     | 542   |
| UL AWM style                                  | 2517 (105 °C / 300 V)                         |
| AWG signal line                               | 24  |
| Core diameter including insulation            | 1.12 mm ±0.03 mm                              |
| Wire colors                                   | brown, blue, black, white                     |
| Overall twist                                 | 4 wires, twisted                              |
| Shielding                                     | Tinned copper braided shield                  |
| Optical shield covering                       | 85 %  |
| External sheath, color                        | yellow  |
| External cable diameter D                     | 4.9 mm ±0.2 mm                                |
| Minimum bending radius, flexible installation | 12 x D  |
| Cable weight                                  | 37 kg/km                                      |
| Outer sheath, material                        | PVC   |
| Material conductor insulation                 | PVC   |
| Conductor material                            | Tin-plated Cu litz wires                      |
| Insulation resistance                         | ≥ (550 M Ohms/m @ 500V)                       |
| Conductor resistance                          | max. 79.7 Ω/km (20 °C)                        |
| Nominal voltage, cable                        | 300 V   |
| Flame resistance                              | FT4   |
| Other resistance                              | UV resistant                                  |
| Ambient temperature (operation)               | -30 °C ... 105 °C (cable, fixed installation) |

### Environmental Product Compliance

|            |                |
|------------|----------------|
| REACH SVHC | Lead 7439-92-1 |
|------------|----------------|

# Sensor/actuator cable - SAC-4P-M8MS/1,5-542/M8FR SH BK - 1406003

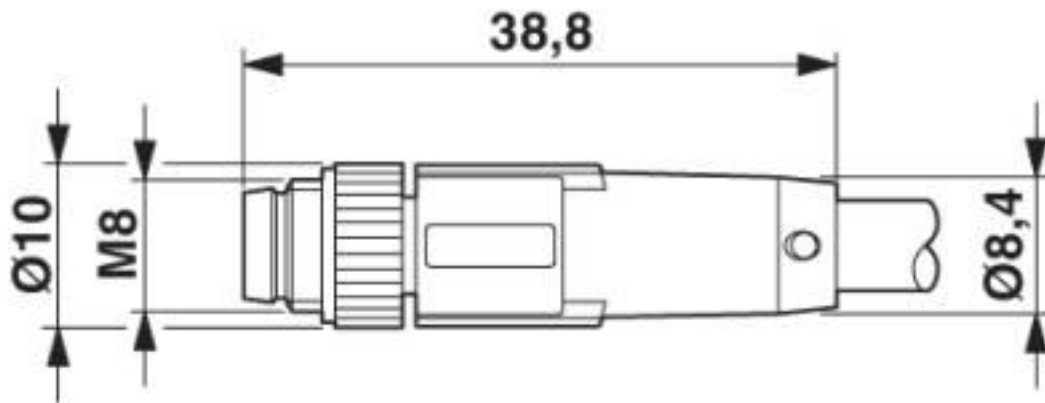
## Technical data

### Environmental Product Compliance

|            |   |
|------------|---|
| China RoHS | Environmentally Friendly Use Period = 50 years  |
|            | For details about hazardous substances go to tab "Downloads", Category "Manufacturer's declaration" |

## Drawings

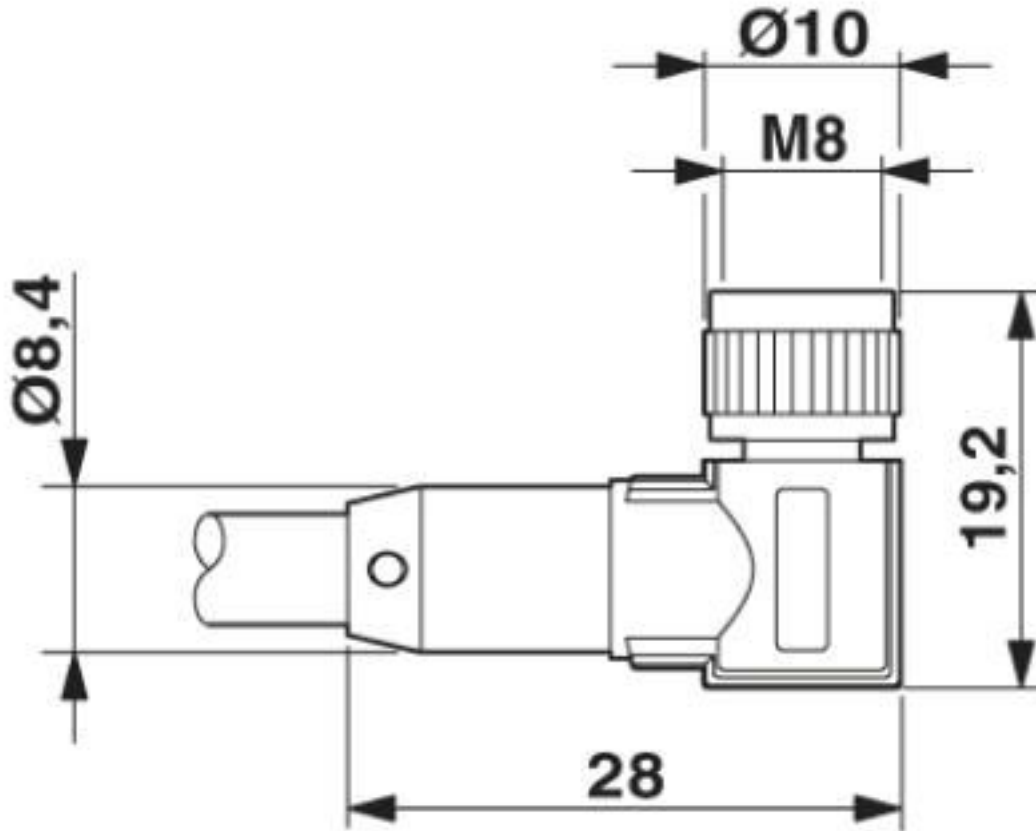
Dimensional drawing



Plug M8 x 1, straight, shielded

# Sensor/actuator cable - SAC-4P-M8MS/1,5-542/M8FR SH BK - 1406003

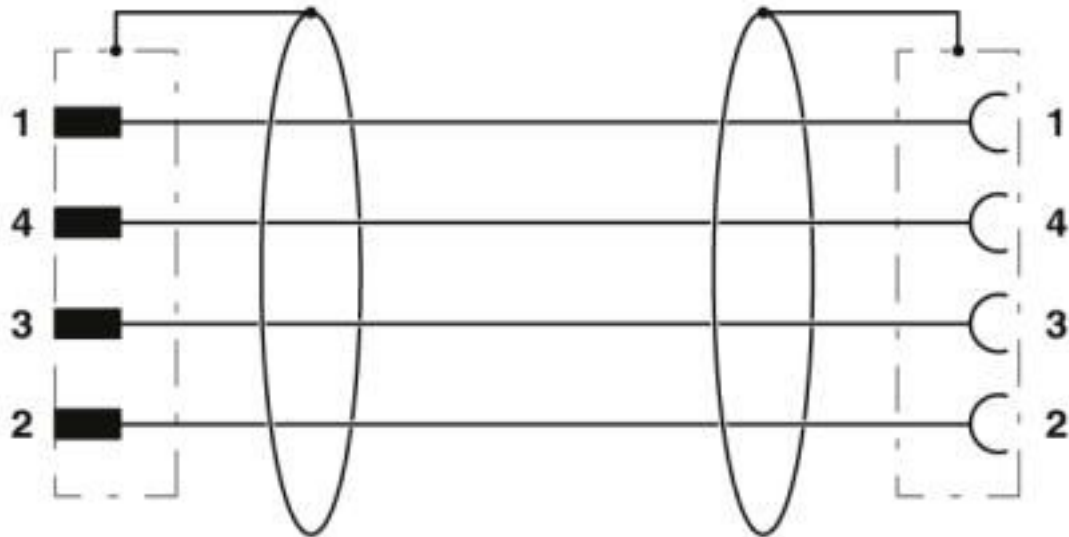
Dimensional drawing



Socket M8 x 1, angled, shielded

## Sensor/actuator cable - SAC-4P-M8MS/1,5-542/M8FR SH BK - 1406003

Circuit diagram



Contact assignment of M8 plugs/sockets

## Sensor/actuator cable - SAC-4P-M8MS/1,5-542/M8FR SH BK - 1406003

Schematic diagram



Pin assignment M8 plug, 4-pos., view male side

# Sensor/actuator cable - SAC-4P-M8MS/1,5-542/M8FR SH BK - 1406003

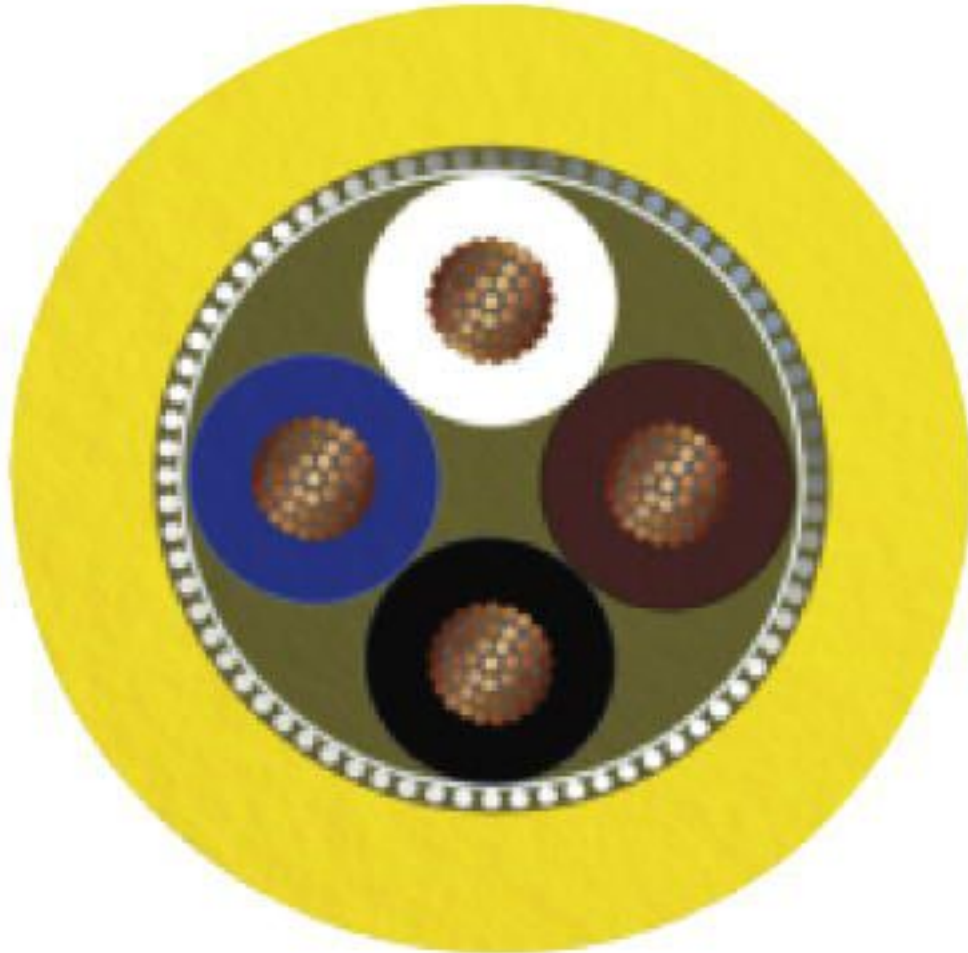
Schematic diagram



Pin assignment M8 socket, 4-pos., view female side

# Sensor/actuator cable - SAC-4P-M8MS/1,5-542/M8FR SH BK - 1406003

Cable cross section



PVC yellow 105 °C [542]

## Classifications

eCl@ss

|               |          |
|---------------|----------|
| eCl@ss 10.0.1 | 27060311 |
| eCl@ss 4.0    | 27060300 |
| eCl@ss 4.1    | 27060300 |
| eCl@ss 5.0    | 27061800 |
| eCl@ss 5.1    | 27061800 |
| eCl@ss 6.0    | 27279200 |
| eCl@ss 7.0    | 27279218 |
| eCl@ss 8.0    | 27279218 |
| eCl@ss 9.0    | 27060311 |



# Sensor/actuator cable - SAC-4P-M8MS/1,5-542/M8FR SH BK - 1406003

## Classifications

### ETIM

|          |          |
|----------|----------|
| ETIM 3.0 | EC001855 |
| ETIM 4.0 | EC001855 |
| ETIM 5.0 | EC001855 |
| ETIM 6.0 | EC001855 |
| ETIM 7.0 | EC001855 |

### UNSPSC

|               |          |
|---------------|----------|
| UNSPSC 6.01   | 31251501 |
| UNSPSC 7.0901 | 31251501 |
| UNSPSC 11     | 31251501 |
| UNSPSC 12.01  | 31251501 |
| UNSPSC 13.2   | 31251501 |
| UNSPSC 19.0   | 31251501 |
| UNSPSC 20.0   | 31251501 |
| UNSPSC 21.0   | 31251501 |

## Approvals

### Approvals

#### Approvals

UL Listed / cUL Listed / EAC-RoHS / EAC / cULus Listed

#### Ex Approvals

### Approval details

|                    |       |   |               |
|--------------------|-------|---|---------------|
| UL Listed          |       | <a href="http://database.ul.com/cgi-bin/XYV/template/LISEXT/1FRAME/index.htm">http://database.ul.com/cgi-bin/XYV/template/LISEXT/1FRAME/index.htm</a> | FILE E 221474 |
| Nominal voltage UN | 125 V |   |               |
| Nominal current IN | 4 A   |   |               |

|                    |       |   |               |
|--------------------|-------|---|---------------|
| cUL Listed         |       | <a href="http://database.ul.com/cgi-bin/XYV/template/LISEXT/1FRAME/index.htm">http://database.ul.com/cgi-bin/XYV/template/LISEXT/1FRAME/index.htm</a> | FILE E 221474 |
| Nominal voltage UN | 125 V |   |               |
| Nominal current IN | 4 A   |   |               |

# Sensor/actuator cable - SAC-4P-M8MS/1,5-542/M8FR SH BK - 1406003

## Approvals

|          |  |                          |
|----------|--|--------------------------|
| EAC-RoHS |  | RU D-<br>DE.HB35.B.00387 |
|----------|--|--------------------------|

|     |  |                          |
|-----|--|--------------------------|
| EAC |  | RU C-<br>DE.BL08.B.00286 |
|-----|--|--------------------------|

|              |  |  |
|--------------|--|--|
| cULus Listed |  |  |
|--------------|--|--|

## Accessories

### Accessories

#### Conductor marking

Insert label - PABA WH/23 - 1013779



Insert label, Strip, white, unlabeled, can be labeled with: CMS-P1-PLOTTER, mounting type: thread on, cable diameter range: 1.5 ... 35 mm, lettering field size: 23 x 4 mm, Number of individual labels: 20

Insert label - PABA YE/23 - 1013782



Insert label, Strip, yellow, unlabeled, can be labeled with: CMS-P1-PLOTTER, mounting type: thread on, cable diameter range: 1.5 ... 35 mm, lettering field size: 23 x 4 mm, Number of individual labels: 20

#### Marker pen

Marker pen - B-STIFT - 1051993



Marker pen, for manual labeling of unprinted Zack strips, smear-proof and waterproof, line thickness 0.5 mm

#### Plug for cable screw gland

## Sensor/actuator cable - SAC-4P-M8MS/1,5-542/M8FR SH BK - 1406003

### Accessories

Screw plug - PROT-M 8 MS-PA-CHAIN - 1430860

M8 sealing cap made of plastic with fixing band for sensor cables, for M8 sockets



---

### Protective cap

Sealing cap - PROT-M 8 FS-PA-CHAIN - 1430857

M8 sealing cap made of plastic with fixing band for sensor cables, for M8 plugs



---

### Screwdriver tools

Tool - SAC BIT M8-D10 - 1208461



Nut for assembling M8 connectors with longitudinal knurl and a knurl diameter of 10 mm, for 4 mm hexagonal drive

---

### Torque tool

Torque screwdriver - TSD 02 SAC - 1208487



Torque screwdriver, with preset torque of 0.2 Nm and 4 mm hexagonal drive for M8 connectors

## X-ON Electronics

Largest Supplier of Electrical and Electronic Components

*Click to view similar products for [Sensor Cables / Actuator Cables](#) category:*

*Click to view products by [Phoenix Contact](#) manufacturer:*

Other Similar products are found below :

[60963](#) [60964](#) [703000D02F2002](#) [703001D02F0602](#) [703001D02F300](#) [704000D02F120](#) [773032K02F030](#) [802027107404-1](#) [802027213811-1](#)  
[804001A09M150](#) [805001A09M0502](#) [84914-0235](#) [84914-0237](#) [885030A09M020](#) [8R4J30E03C3003](#) [1200651332](#) [1200651713](#) [1200660844](#)  
[1200660845](#) [1200661173](#) [1200680071](#) [1200720053](#) [1200720081](#) [1200720099](#) [1200720217](#) [1200800231](#) [1200860125](#) [1200870123](#)  
[1200980102](#) [1200650267](#) [1200650298](#) [1200660183](#) [1200660782](#) [1200660849](#) [1200661295](#) [1200661297](#) [1200661342](#) [1200661343](#)  
[1200670080](#) [1200670220](#) [1200680331](#) [1200720252](#) [1200730184](#) [1200860344](#) [1200870359](#) [1200870643](#) [1200980008](#) [1200980031](#)  
[1210502211](#) [1210400542](#)