

Sensor/actuator cable - SAC-4P- 5,0-28R/FR SCO RAIL - 1407321

Please be informed that the data shown in this PDF Document is generated from our Online Catalog. Please find the complete data in the user's documentation. Our General Terms of Use for Downloads are valid (<http://phoenixcontact.com/download>)




Sensor/actuator cable, 4-position, PE-X halogen-free, black, shielded, free cable end, on Socket angled M12 SPEEDCON, coding: A, cable length: 5 m, For railway applications

Your advantages

- ✓ Easy and safe: 100% electrically tested plug-in components
- ✓ Safety thanks to flame retardancy: PA 6.6 grip and radiation-cross-linked cables satisfy the most stringent requirements
- ✓ Securely locked by special vibration brake
- ✓ Resistant to temperature influences – tested for an extended temperature range and for resistance to temperature shocks
- ✓ Reliable signal transmission – 360° shielding in environments with electromagnetic interference



Key Commercial Data

| | |
|--------------|---|
| Packing unit | 1 pc |
| GTIN |  4 046356 774376 |
| GTIN | 4046356774376 |

Technical data

Dimensions

| | |
|-----------------|-----|
| Length of cable | 5 m |
|-----------------|-----|

Ambient conditions

| | |
|---------------------------------|----------------------------------|
| Ambient temperature (operation) | -40 °C ... 85 °C (Plug / socket) |
| Degree of protection | IP65 |

General

| | |
|-----------------------|---|
| Note | Further products with variable cable type and variable cable length can be found in the accessories section |
| Rated current at 40°C | 4 A |
| Rated voltage | 48 V AC |
| | 60 V DC |
| Number of positions | 4 |

Sensor/actuator cable - SAC-4P- 5,0-28R/FR SCO RAIL - 1407321

Technical data

General

| | |
|------------------------------|-------------------------------|
| Color handle area | black |
| Insulation resistance | ≥ 100 MΩ |
| Coding | A - standard |
| Standards/regulations | M12 connector IEC 61076-2-101 |
| | Shock, vibration EN 50155 |
| Status display | No |
| Protective circuit/component | unwired |
| Overvoltage category | II |
| Degree of pollution | 3 |
| Insertion/withdrawal cycles | ≥ 100 |
| Torque | 0.4 Nm (M12 connector) |

Material

| | |
|--|---|
| Flammability rating according to UL 94 | V0 |
| Contact material | CuSn |
| Contact surface material | Ni/Au |
| Contact carrier material | PA 6.6 |
| Material of grip body | PA 6.6 |
| Material, knurls | Zinc die-cast, nickel-plated |
| Sealing material | NBR |
| Standards/regulations | PA 6.6: Fire protection in rail vehicles - requirement sets R22, R23, and R24 acc. to DIN EN 45545-2 (Risk level HL1 - HL3) |

Standards and Regulations

| | |
|--|-------------------------------|
| Standards/specifications | M12 connector IEC 61076-2-101 |
| | Shock, vibration EN 50155 |
| Flammability rating according to UL 94 | V0 |
| Standards/regulations | acc. to DIN EN 45545-2 |

Cable

| | |
|--|------------------------------------|
| Cable type | Shielded black RADOX® |
| Cable type (abbreviation) | 28R |
| Conductor cross section | 4x 0.5 mm ² |
| AWG signal line | 20 |
| Conductor structure signal line | 19x 0.18 mm |
| Core diameter including insulation | 1.43 mm |
| Wire colors | White 1, white 2, white 3, white 4 |
| Overall twist | 4 wires, twisted |
| Shielding | Tinned copper braided shield |
| External sheath, color | black |
| External cable diameter D | 5.4 mm ±0.3 mm |
| Minimum bending radius, fixed installation | 3 x D |

Sensor/actuator cable - SAC-4P- 5,0-28R/FR SCO RAIL - 1407321

Technical data

Cable

| | |
|---|--|
| Minimum bending radius, flexible installation | 4 x D |
| Cable weight | 56 kg/km |
| Outer sheath, material | PE-X |
| Material conductor insulation | PE-X |
| Conductor material | Tin-plated Cu litz wires |
| Conductor resistance | ≤ 40.1 Ω/km |
| Nominal voltage, cable | 600 V AC (Core-ground, U ₀) |
| | 1000 V AC (Core-ground, U) |
| | ≤ 720 V AC (core-ground) |
| | ≤ 1200 V AC (Core-ground, U _m) |
| | ≤ 900 V DC (Core-ground, V ₀) |
| | ≤ 1500 V DC (core-core) |
| Test voltage, cable | 3500 V AC (50 Hz, 5 min.) |
| | 8400 V DC (50 Hz, 5 min.) |
| Fire protection in rail vehicles | BS 6853 (Category Ia, Ib, II) |
| | GM/RT 2130 (Category Ia, Ib, II) |
| | EN 45545 (Risk level HL1 - HL3) |
| | DIN 5510 (Fire protection level 1, 2, 3, 4) |
| | NF F16-101 (Category A1, A2, B) |
| | NF F16-101 (Class C/F0) |
| | NFPA 130 |
| | UNI CEI 11170 (Risk level LR1 - LR4) |
| Flame resistance | EN 60332-1-2 |
| | EN 50266 |
| | EN 50305, 9.1.2 |
| | NF C32-070, 2.1 |
| | NF C32-070, 2.2 |
| | UL 1685, 12 (FT4) |
| | in accordance with ISO 6722-1 5.22 (UN ECE-R 118.01) |
| Halogen-free | According to EN 50267-2-1 |
| Resistance to oil | according to IRM 902, 72 h at 100 °C |
| Other resistance | Resistance to fuels according to IRM 903, 168 h at 70 °C |
| Concentration of fumes | BS 6853 D.8.7 |
| | EN 61034-2 |
| | UL 1685, 12 (FT4) |
| Fume corrosiveness | EN 50267-2-2 |
| Fume toxicity | BS 6853 B.1 |
| | EN 50305, 9.2 |
| Ambient temperature (operation) | -50 °C ... 120 °C (cable, fixed installation) |
| | -25 °C ... 90 °C (cable, flexible installation) |

Sensor/actuator cable - SAC-4P- 5,0-28R/FR SCO RAIL - 1407321

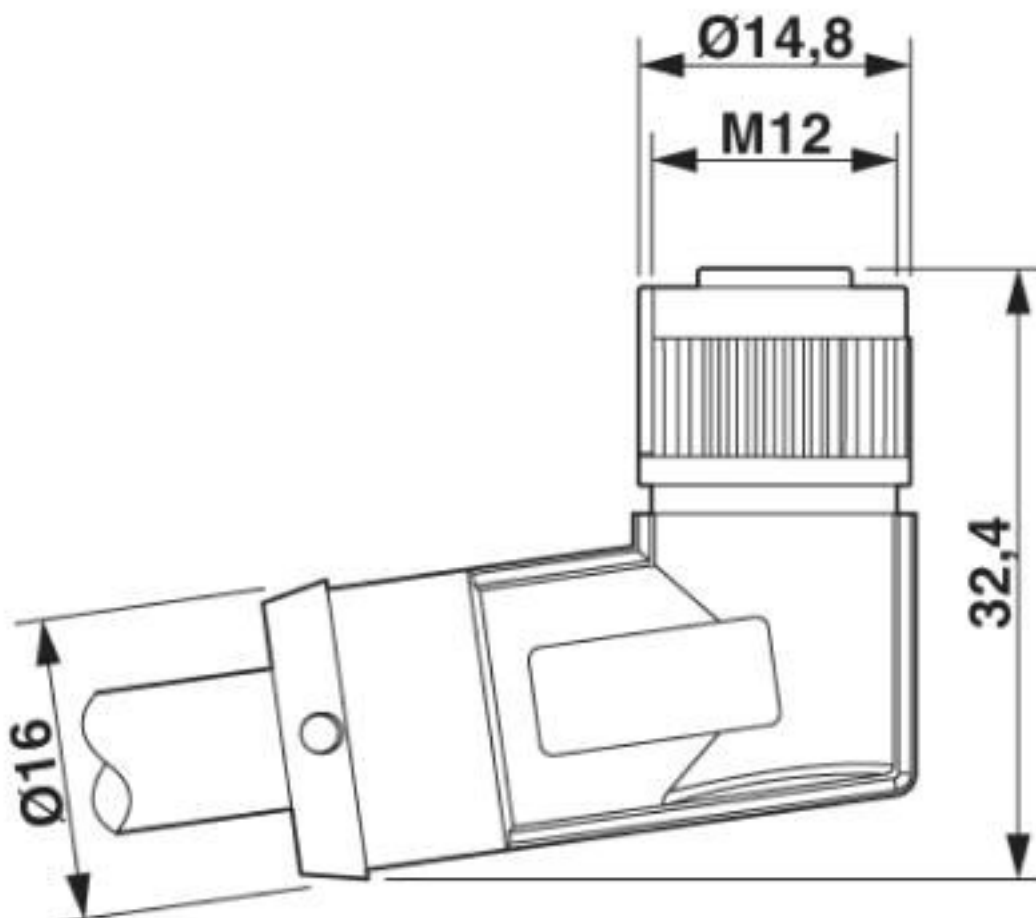
Technical data

Environmental Product Compliance

| | |
|------------|---|
| China RoHS | Environmentally friendly use period: unlimited = EFUP-e |
| | No hazardous substances above threshold values |

Drawings

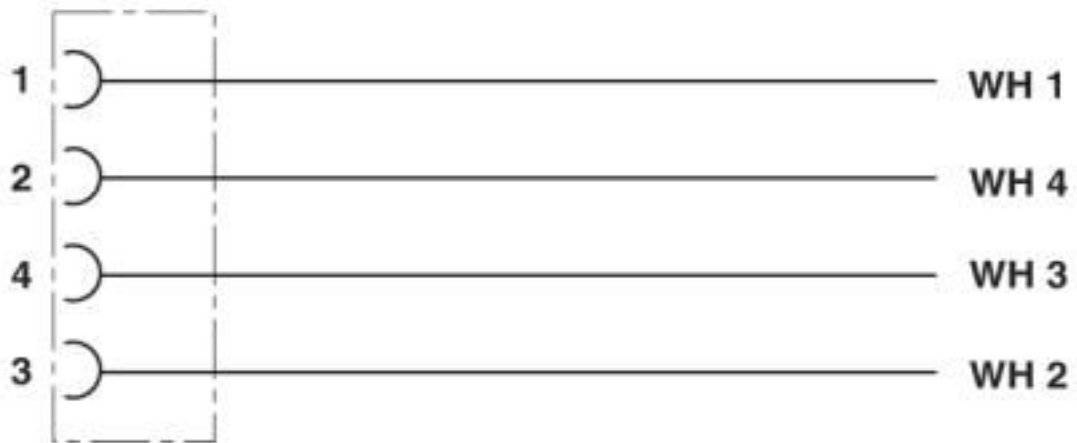
Dimensional drawing



Socket M12-SPEEDCON, angled, shielded

Sensor/actuator cable - SAC-4P- 5,0-28R/FR SCO RAIL - 1407321

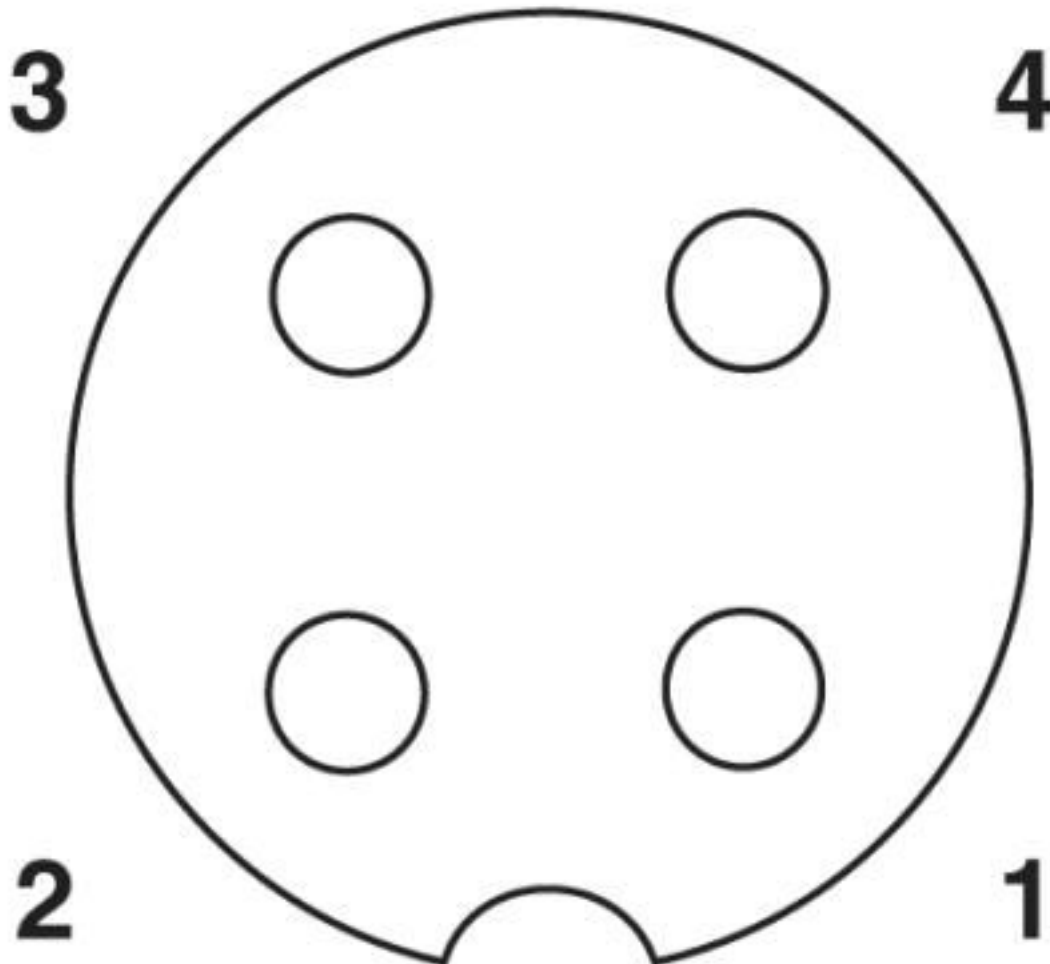
Circuit diagram



Contact assignment of the M12 socket

Sensor/actuator cable - SAC-4P- 5,0-28R/FR SCO RAIL - 1407321

Schematic diagram



Pin assignment M12 socket, 4-pos., A-coded, view female side

Sensor/actuator cable - SAC-4P- 5,0-28R/FR SCO RAIL - 1407321

Cable cross section



Shielded black RADOX® [28R]

Classifications

eCl@ss

| | |
|---------------|----------|
| eCl@ss 10.0.1 | 27060311 |
| eCl@ss 4.0 | 27060300 |
| eCl@ss 4.1 | 27060300 |
| eCl@ss 5.0 | 27061800 |
| eCl@ss 5.1 | 27061800 |
| eCl@ss 6.0 | 27279200 |
| eCl@ss 7.0 | 27279218 |
| eCl@ss 8.0 | 27279218 |
| eCl@ss 9.0 | 27060311 |

Sensor/actuator cable - SAC-4P- 5,0-28R/FR SCO RAIL - 1407321

Classifications

ETIM

| | |
|----------|----------|
| ETIM 3.0 | EC001855 |
| ETIM 4.0 | EC001855 |
| ETIM 5.0 | EC001855 |
| ETIM 6.0 | EC001855 |
| ETIM 7.0 | EC001855 |

UNSPSC

| | |
|---------------|----------|
| UNSPSC 6.01 | 31251501 |
| UNSPSC 7.0901 | 31251501 |
| UNSPSC 11 | 31251501 |
| UNSPSC 12.01 | 31251501 |
| UNSPSC 13.2 | 31251501 |
| UNSPSC 19.0 | 31251501 |
| UNSPSC 20.0 | 31251501 |
| UNSPSC 21.0 | 31251501 |

Approvals

Approvals

Approvals

EAC-RoHS / EAC

Ex Approvals

Approval details

| | | |
|----------|--|--------------------------|
| EAC-RoHS | | RU D- DE.HB35.B.00387 |
|----------|--|--------------------------|

| | | |
|-----|--|--------------------------|
| EAC | | RU C- DE.BL08.B.00286 |
|-----|--|--------------------------|

Accessories

Accessories

Circular connector (cable-side)

Sensor/actuator cable - SAC-4P- 5,0-28R/FR SCO RAIL - 1407321

Accessories

Connector - SACC-MS-4QO-0,75 SH SCO - 1413993



Connector, Universal, 4-position, halogen-free, shielded, Plug straight M12 SPEEDCON, Coding: A, Insulation displacement connection, knurl material: Zinc die-cast, nickel-plated, external cable diameter 5 mm ... 9.7 mm

Connector - SACC-FS-4QO-0,75 SH SCO - 1413994



Connector, Universal, 4-position, halogen-free, shielded, Socket straight M12 SPEEDCON, Coding: A, Insulation displacement connection, knurl material: Zinc die-cast, nickel-plated, external cable diameter 5 mm ... 9.7 mm

Connector - SACC-M12MS-4PL SH - 1424666



Connector, Universal, 4-position, shielded, Plug straight M12, Coding: A, Push-in connection, knurl material: Zinc die-cast, nickel-plated, external cable diameter 4 mm ... 8 mm

Connector - SACC-M12MR-4PL SH - 1424667



Connector, Universal, 4-position, shielded, Plug angled M12, Coding: A, Push-in connection, knurl material: Zinc die-cast, nickel-plated, external cable diameter 4 mm ... 8 mm

Connector - SACC-M12FS-4PL SH - 1424668



Connector, Universal, 4-position, shielded, Socket straight M12, Coding: A, Push-in connection, knurl material: Zinc die-cast, nickel-plated, external cable diameter 4 mm ... 8 mm

Sensor/actuator cable - SAC-4P- 5,0-28R/FR SCO RAIL - 1407321

Accessories

Connector - SACC-M12FR-4PL SH - 1424669



Connector, Universal, 4-position, shielded, Socket angled M12, Coding: A, Push-in connection, knurl material: Zinc die-cast, nickel-plated, external cable diameter 4 mm ... 8 mm

Connector - SACC-M12MS-5CT-CM SH - 1422850



Connector, Universal, 5-position, shielded, Plug straight M12, Coding: A, Crimp connection, knurl material: Zinc die-cast, nickel-plated, external cable diameter 4.5 mm ... 7.5 mm, without crimp contacts

Connector - SACC-M12MR-5CT-CM SH - 1422851



Connector, Universal, 5-position, shielded, Plug angled M12, Coding: A, Crimp connection, knurl material: Zinc die-cast, nickel-plated, external cable diameter 4.5 mm ... 7.5 mm, without crimp contacts

Connector - SACC-M12FS-5CT-CM SH - 1422852



Connector, Universal, 5-position, shielded, Socket straight M12, Coding: A, Crimp connection, knurl material: Zinc die-cast, nickel-plated, external cable diameter 4.5 mm ... 7.5 mm, without crimp contacts

Connector - SACC-M12FR-5CT-CM SH - 1422853



Connector, Universal, 5-position, shielded, Socket angled M12, Coding: A, Crimp connection, knurl material: Zinc die-cast, nickel-plated, external cable diameter 4.5 mm ... 7.5 mm, without crimp contacts

Sensor/actuator cable - SAC-4P- 5,0-28R/FR SCO RAIL - 1407321

Accessories

Connector - SACC-P12MS-5CT-CM SH - 1021815



Connector, Universal, 5-position, shielded, Plug straight M12 Push-Pull, Coding: A, Crimp connection, knurl material: PA 6.6, external cable diameter 4.5 mm ... 7.5 mm, without crimp contacts

Connector - SACC-P12MR-5CT-CM SH - 1021816



Connector, Universal, 5-position, shielded, Plug angled M12 Push-Pull, Coding: A, Crimp connection, knurl material: PA 6.6, external cable diameter 4.5 mm ... 7.5 mm, without crimp contacts

Conductor marking

Cable marker - WMTB HF (40X12)R YE - 0830408



Cable marker, Roll, yellow, unlabeled, can be labeled with: THERMOMARK ROLLMASTER 300/600, THERMOMARK X1.2, THERMOMARK ROLL X1, THERMOMARK ROLL 2.0, THERMOMARK ROLL, mounting type: Assembly with cable binders, cable diameter: ≥ 6 mm, lettering field size: 40 x 12 mm, Number of individual labels: 1000

Cable marker - WMTB HF (55X15)R YE - 0830410



Cable marker, Roll, yellow, unlabeled, can be labeled with: THERMOMARK ROLLMASTER 300/600, THERMOMARK X1.2, THERMOMARK ROLL X1, THERMOMARK ROLL 2.0, THERMOMARK ROLL, mounting type: Assembly with cable binders, cable diameter: ≥ 6 mm, lettering field size: 55 x 15 mm, Number of individual labels: 1000

Cable marker - WMTB HF (55X25)R YE - 0830412



Cable marker, Roll, yellow, unlabeled, can be labeled with: THERMOMARK ROLLMASTER 300/600, THERMOMARK X1.2, THERMOMARK ROLL X1, THERMOMARK ROLL 2.0, THERMOMARK ROLL, mounting type: Assembly with cable binders, cable diameter: ≥ 6 mm, lettering field size: 55 x 25 mm, Number of individual labels: 500

Sensor/actuator cable - SAC-4P- 5,0-28R/FR SCO RAIL - 1407321

Accessories

Conductor marking - UCT-WMCO 5,4 (23X8) - 0832105



Conductor marking, Sheet, white, unlabeled, can be labeled with: TOPMARK NEO, TOPMARK LASER, BLUEMARK ID COLOR, BLUEMARK ID, BLUEMARK CLED, THERMOMARK PRIME, THERMOMARK CARD 2.0, THERMOMARK CARD, mounting type: clip on, cable diameter range: 4.7 ... 5.4 mm, lettering field size: 23 x 8 mm, Number of individual labels: 18

Conductor marking - UCT-WMCO 6,1 (23X8) - 0832106



Conductor marking, Sheet, white, unlabeled, can be labeled with: TOPMARK NEO, TOPMARK LASER, BLUEMARK ID COLOR, BLUEMARK ID, BLUEMARK CLED, THERMOMARK PRIME, THERMOMARK CARD 2.0, THERMOMARK CARD, mounting type: clip on, cable diameter range: 5.4 ... 6.1 mm, lettering field size: 23 x 8 mm, Number of individual labels: 18

Conductor marking - UCT-WMCO 6,8 (23X8) - 0832107



Conductor marking, Sheet, white, unlabeled, can be labeled with: TOPMARK NEO, TOPMARK LASER, BLUEMARK ID COLOR, BLUEMARK ID, BLUEMARK CLED, THERMOMARK PRIME, THERMOMARK CARD 2.0, THERMOMARK CARD, mounting type: clip on, cable diameter range: 6.1 ... 6.8 mm, lettering field size: 23 x 8 mm, Number of individual labels: 15

Conductor marking - UCT-WMCO 7,5 (23X8) - 0832108



Conductor marking, Sheet, white, unlabeled, can be labeled with: TOPMARK NEO, TOPMARK LASER, BLUEMARK ID COLOR, BLUEMARK ID, BLUEMARK CLED, THERMOMARK PRIME, THERMOMARK CARD 2.0, THERMOMARK CARD, mounting type: clip on, cable diameter range: 6.8 ... 7.5 mm, lettering field size: 23 x 8 mm, Number of individual labels: 15

Cable marker - WMTB-AL (40X15) - 0830524



Cable marker, Aluminum label, aluminum color, unlabeled, can be labeled with: BLUEMARK ID COLOR, BLUEMARK ID, BLUEMARK CLED, mounting type: Assembly with cable binders, cable diameter: > 4.6 mm, lettering field size: 40 x 15 mm

Sensor/actuator cable - SAC-4P- 5,0-28R/FR SCO RAIL - 1407321

Accessories

Cable marker - WMTB-AL (60X15) - 0830525



Cable marker, Aluminum label, aluminum color, unlabeled, can be labeled with: BLUEMARK ID COLOR, BLUEMARK ID, BLUEMARK CLED, mounting type: Assembly with cable binders, cable diameter: > 4.6 mm, lettering field size: 60 x 15 mm

Cable marker - LS-WMTB-AL (40X15) - 0831501



Cable marker, Aluminum label, aluminum color, unlabeled, can be labeled with: TOPMARK NEO, TOPMARK LASER, mounting type: Assembly with cable binders, cable diameter: > 4.6 mm, lettering field size: 40 x 15 mm, Number of individual labels: 16

Cable marker - LS-WMTB-AL (40X15) BK - 0831509



Cable marker, Aluminum label, black, unlabeled, can be labeled with: TOPMARK NEO, TOPMARK LASER, mounting type: Assembly with cable binders, cable diameter: > 4.6 mm, lettering field size: 40 x 15 mm, Number of individual labels: 16

Cable marker - LS-WMTB-AL (60X15) - 0831502



Cable marker, Aluminum label, aluminum color, unlabeled, can be labeled with: TOPMARK NEO, TOPMARK LASER, mounting type: Assembly with cable binders, cable diameter: > 4.6 mm, lettering field size: 60 x 15 mm, Number of individual labels: 16

Cable marker - LS-WMTB-AL (60X15) BK - 0831510



Cable marker, Aluminum label, black, unlabeled, can be labeled with: TOPMARK NEO, TOPMARK LASER, mounting type: Assembly with cable binders, cable diameter: > 4.6 mm, lettering field size: 60 x 15 mm, Number of individual labels: 16

Sensor/actuator cable - SAC-4P- 5,0-28R/FR SCO RAIL - 1407321

Accessories

Cable marker - LS-WMTB-AL (100X15) - 0831503

Cable marker, Aluminum label, aluminum color, unlabeled, can be labeled with: TOPMARK NEO, TOPMARK LASER, mounting type: Assembly with cable binders, cable diameter: > 4.6 mm, lettering field size: 100 x 15 mm, Number of individual labels: 8



Cable marker - LS-WMTB-AL (100X15) BK - 0831511

Cable marker, Aluminum label, black, unlabeled, can be labeled with: TOPMARK NEO, TOPMARK LASER, mounting type: Assembly with cable binders, cable diameter: > 4.6 mm, lettering field size: 100 x 15 mm, Number of individual labels: 8



Cable marker - WMTB HF (40X12)R YE - 0830408



Cable marker, Roll, yellow, unlabeled, can be labeled with: THERMOMARK ROLLMASTER 300/600, THERMOMARK X1.2, THERMOMARK ROLL X1, THERMOMARK ROLL 2.0, THERMOMARK ROLL, mounting type: Assembly with cable binders, cable diameter: ≥ 6 mm, lettering field size: 40 x 12 mm, Number of individual labels: 1000

Cable marker - WMTB HF (55X15)R YE - 0830410



Cable marker, Roll, yellow, unlabeled, can be labeled with: THERMOMARK ROLLMASTER 300/600, THERMOMARK X1.2, THERMOMARK ROLL X1, THERMOMARK ROLL 2.0, THERMOMARK ROLL, mounting type: Assembly with cable binders, cable diameter: ≥ 6 mm, lettering field size: 55 x 15 mm, Number of individual labels: 1000

Cable marker - WMTB HF (55X25)R YE - 0830412



Cable marker, Roll, yellow, unlabeled, can be labeled with: THERMOMARK ROLLMASTER 300/600, THERMOMARK X1.2, THERMOMARK ROLL X1, THERMOMARK ROLL 2.0, THERMOMARK ROLL, mounting type: Assembly with cable binders, cable diameter: ≥ 6 mm, lettering field size: 55 x 25 mm, Number of individual labels: 500

Sensor/actuator cable - SAC-4P- 5,0-28R/FR SCO RAIL - 1407321

Accessories

Conductor marking - UCT-WMCO 5,4 (23X8) - 0832105



Conductor marking, Sheet, white, unlabeled, can be labeled with: TOPMARK NEO, TOPMARK LASER, BLUEMARK ID COLOR, BLUEMARK ID, BLUEMARK CLED, THERMOMARK PRIME, THERMOMARK CARD 2.0, THERMOMARK CARD, mounting type: clip on, cable diameter range: 4.7 ... 5.4 mm, lettering field size: 23 x 8 mm, Number of individual labels: 18

Conductor marking - UCT-WMCO 6,1 (23X8) - 0832106



Conductor marking, Sheet, white, unlabeled, can be labeled with: TOPMARK NEO, TOPMARK LASER, BLUEMARK ID COLOR, BLUEMARK ID, BLUEMARK CLED, THERMOMARK PRIME, THERMOMARK CARD 2.0, THERMOMARK CARD, mounting type: clip on, cable diameter range: 5.4 ... 6.1 mm, lettering field size: 23 x 8 mm, Number of individual labels: 18

Conductor marking - UCT-WMCO 6,8 (23X8) - 0832107



Conductor marking, Sheet, white, unlabeled, can be labeled with: TOPMARK NEO, TOPMARK LASER, BLUEMARK ID COLOR, BLUEMARK ID, BLUEMARK CLED, THERMOMARK PRIME, THERMOMARK CARD 2.0, THERMOMARK CARD, mounting type: clip on, cable diameter range: 6.1 ... 6.8 mm, lettering field size: 23 x 8 mm, Number of individual labels: 15

Conductor marking - UCT-WMCO 7,5 (23X8) - 0832108



Conductor marking, Sheet, white, unlabeled, can be labeled with: TOPMARK NEO, TOPMARK LASER, BLUEMARK ID COLOR, BLUEMARK ID, BLUEMARK CLED, THERMOMARK PRIME, THERMOMARK CARD 2.0, THERMOMARK CARD, mounting type: clip on, cable diameter range: 6.8 ... 7.5 mm, lettering field size: 23 x 8 mm, Number of individual labels: 15

Cable marker - WMTB-AL (40X15) - 0830524



Cable marker, Aluminum label, aluminum color, unlabeled, can be labeled with: BLUEMARK ID COLOR, BLUEMARK ID, BLUEMARK CLED, mounting type: Assembly with cable binders, cable diameter: > 4.6 mm, lettering field size: 40 x 15 mm

Sensor/actuator cable - SAC-4P- 5,0-28R/FR SCO RAIL - 1407321

Accessories

Cable marker - WMTB-AL (60X15) - 0830525



Cable marker, Aluminum label, aluminum color, unlabeled, can be labeled with: BLUEMARK ID COLOR, BLUEMARK ID, BLUEMARK CLED, mounting type: Assembly with cable binders, cable diameter: > 4.6 mm, lettering field size: 60 x 15 mm

Cable marker - LS-WMTB-AL (40X15) - 0831501



Cable marker, Aluminum label, aluminum color, unlabeled, can be labeled with: TOPMARK NEO, TOPMARK LASER, mounting type: Assembly with cable binders, cable diameter: > 4.6 mm, lettering field size: 40 x 15 mm, Number of individual labels: 16

Cable marker - LS-WMTB-AL (40X15) BK - 0831509



Cable marker, Aluminum label, black, unlabeled, can be labeled with: TOPMARK NEO, TOPMARK LASER, mounting type: Assembly with cable binders, cable diameter: > 4.6 mm, lettering field size: 40 x 15 mm, Number of individual labels: 16

Cable marker - LS-WMTB-AL (60X15) - 0831502



Cable marker, Aluminum label, aluminum color, unlabeled, can be labeled with: TOPMARK NEO, TOPMARK LASER, mounting type: Assembly with cable binders, cable diameter: > 4.6 mm, lettering field size: 60 x 15 mm, Number of individual labels: 16

Cable marker - LS-WMTB-AL (60X15) BK - 0831510



Cable marker, Aluminum label, black, unlabeled, can be labeled with: TOPMARK NEO, TOPMARK LASER, mounting type: Assembly with cable binders, cable diameter: > 4.6 mm, lettering field size: 60 x 15 mm, Number of individual labels: 16

Sensor/actuator cable - SAC-4P- 5,0-28R/FR SCO RAIL - 1407321

Accessories

Cable marker - LS-WMTB-AL (100X15) - 0831503



Cable marker, Aluminum label, aluminum color, unlabeled, can be labeled with: TOPMARK NEO, TOPMARK LASER, mounting type: Assembly with cable binders, cable diameter: > 4.6 mm, lettering field size: 100 x 15 mm, Number of individual labels: 8

Cable marker - LS-WMTB-AL (100X15) BK - 0831511



Cable marker, Aluminum label, black, unlabeled, can be labeled with: TOPMARK NEO, TOPMARK LASER, mounting type: Assembly with cable binders, cable diameter: > 4.6 mm, lettering field size: 100 x 15 mm, Number of individual labels: 8

Cutting tools

Cable-cutting tool - CUTFOX 12 - 1212128



Cable cutter, for copper and aluminum up to 12 mm diameter (up to 35 mm²)

Diagonal cutter - CUTFOX-S VDE - 1212207



Diagonal cutter for hard (piano wire) and soft wires, VDE 1000 V AC/1500 V DC tested

Electronics pliers

Diagonal cutter - MICROFOX-SP-1 - 1212487



Electronic diagonal cutter, tapered head, without chamfer, with opening spring, non-reflective phosphate-treated surface, punched version

Marker carrier cable

Sensor/actuator cable - SAC-4P- 5,0-28R/FR SCO RAIL - 1407321

Accessories

Conductor marker carrier - PATG HF 3/18 - 1014059



Conductor marker carrier, transparent/black, unlabeled, mounting type: slide-on, cable diameter range: 4 ... 7 mm, lettering field size: 18 x 4 mm

Conductor marker carrier - PATG HF 3/23 - 1014060



Conductor marker carrier, transparent/black, unlabeled, mounting type: slide-on, cable diameter range: 4 ... 7 mm, lettering field size: 23 x 4 mm

Conductor marker carrier - PATG HF 3/30 - 1014061



Conductor marker carrier, transparent/black, unlabeled, mounting type: slide-on, cable diameter range: 4 ... 7 mm, lettering field size: 30 x 4 mm

Conductor marker carrier - PATG HF 4/18 - 1014065



Conductor marker carrier, transparent/black, unlabeled, mounting type: slide-on, cable diameter range: 5 ... 10 mm, lettering field size: 18 x 4 mm

Conductor marker carrier - PATG HF 4/23 - 1014066



Conductor marker carrier, transparent/black, unlabeled, mounting type: slide-on, cable diameter range: 5 ... 10 mm, lettering field size: 23 x 4 mm

Sensor/actuator cable - SAC-4P- 5,0-28R/FR SCO RAIL - 1407321

Accessories

Conductor marker carrier - PATG HF 4/30 - 1014067



Conductor marker carrier, transparent/black, unlabeled, mounting type: slide-on, cable diameter range: 5 ... 10 mm, lettering field size: 30 x 4 mm

Cable marker carrier - KMK HP (25X6) - 0830720



Cable marker carrier, transparent, unlabeled, mounting type: Assembly with cable binders, cable diameter: ≥ 6 mm, lettering field size: 25 mm x 6 mm

Cable marker carrier - KMK HP (29X8) - 0830721



Cable marker carrier, transparent, unlabeled, mounting type: Assembly with cable binders, cable diameter: ≥ 6 mm, lettering field size: 29 x 8 mm

Cable marker carrier - KMK HP (25X6) - 0830720



Cable marker carrier, transparent, unlabeled, mounting type: Assembly with cable binders, cable diameter: ≥ 6 mm, lettering field size: 25 mm x 6 mm

Cable marker carrier - KMK HP (29X8) - 0830721



Cable marker carrier, transparent, unlabeled, mounting type: Assembly with cable binders, cable diameter: ≥ 6 mm, lettering field size: 29 x 8 mm

Marker pen

Sensor/actuator cable - SAC-4P- 5,0-28R/FR SCO RAIL - 1407321

Accessories

Marker pen - B-STIFT - 1051993



Marker pen, for manual labeling of unprinted Zack strips, smear-proof and waterproof, line thickness 0.5 mm

Marker pen - B-STIFT - 1051993



Marker pen, for manual labeling of unprinted Zack strips, smear-proof and waterproof, line thickness 0.5 mm

Plug for cable screw gland

Screw plug - PROT-M12 MS-PA-CHAIN - 1430899



M12 sealing cap with fixing band, for sensor cables, for free M12 sockets

Safety locking

Locking clip - SAC-M12-EXCLIP-F - 1558991



Locking clip for the socket side of sensor/actuator cables with M12 connector and M12 connectors for assembly, for knurl diameter: 15 mm or for Allen key with a wrench size of 14 mm, prevents the disconnection of plug-in connections without tools

Screwdriver tools

Adapter insert - TSD-M SAC-BIT ADAPTER - 1212600



Adapter bit for TSD-M...torque tools, E6.3-1/4" drive with 4 mm hexagon to accommodate SAC bits

Sensor/actuator cable - SAC-4P- 5,0-28R/FR SCO RAIL - 1407321

Accessories

Tool - SAC BIT M12-D15 - 1208432



Nut for assembling sensor/actuator cables with M12 connector and M12 connectors for assembly, with a knurl diameter of 15 mm, for 4 mm hexagonal drive

Sensor/actuator cable

Sensor/actuator cable - SAC-4P-MS SCO RAIL/.../... - 1412169



Sensor/actuator cable, 4-position, Variable cable type, shielded, Plug straight M12 SPEEDCON, coding: A, on free cable end, cable length: Free input (0.2 ... 40.0 m), For railway applications

Sensor/actuator cable - SAC-4P-MR SCO RAIL/.../... - 1412170



Sensor/actuator cable, 4-position, Variable cable type, shielded, Plug angled M12 SPEEDCON, coding: A, on free cable end, cable length: Free input (0.2 ... 40.0 m), For railway applications

Sensor/actuator cable - SAC-4P-FS SCO RAIL/.../... - 1412167



Sensor/actuator cable, 4-position, Variable cable type, shielded, free cable end, on Socket straight M12 SPEEDCON, coding: A, cable length: Free input (0.2 ... 40.0 m), For railway applications

Sensor/actuator cable - SAC-4P-FR SCO RAIL/.../... - 1412168



Sensor/actuator cable, 4-position, Variable cable type, shielded, free cable end, on Socket angled M12 SPEEDCON, coding: A, cable length: Free input (0.2 ... 40.0 m), For railway applications

Sensor/actuator cable - SAC-4P- 5,0-28R/FR SCO RAIL - 1407321

Accessories

Sensor/actuator cable - SAC-4P-MS-FS SCO RAIL/.../... - 1412171



Sensor/actuator cable, 4-position, Variable cable type, shielded, Plug straight M12 SPEEDCON, coding: A, on Socket straight M12 SPEEDCON, coding: A, cable length: Free input (0.2 ... 40.0 m), For railway applications

Shrink sleeve

Shrink sleeve - WMS-2 HF 6,4 (60X10)RL YE - 0801025



Shrink sleeve, Roll, yellow, can be labeled with: THERMOMARK ROLLMASTER 300/600, THERMOMARK X1.2, THERMOMARK ROLL X1, THERMOMARK ROLL 2.0, THERMOMARK ROLL: without print, Cut, mounting type: slide-on, cable diameter range: 3.2 ... 6.4 mm, lettering field size: 60 x 10 mm, Number of individual labels: 1000

Shrink sleeve - WMS-2 HF 6,4 (EX10)RL YE - 0833244



Shrink sleeve, Roll, yellow, can be labeled with: THERMOMARK ROLLMASTER 300/600, THERMOMARK X1.2, THERMOMARK ROLL X1, THERMOMARK ROLL 2.0, THERMOMARK ROLL, THERMOMARK W: without print, Cut, mounting type: slide-on, cable diameter range: 3.2 ... 6.4 mm, lettering field size: 10 x 100000 mm

Shrink sleeve - WMS-2 HF 9,5 (60X16)RL YE - 0801029



Shrink sleeve, Roll, yellow, can be labeled with: THERMOMARK ROLLMASTER 300/600, THERMOMARK X1.2, THERMOMARK ROLL X1, THERMOMARK ROLL 2.0, THERMOMARK ROLL: without print, Cut, mounting type: slide-on, cable diameter range: 4.8 ... 9.5 mm, lettering field size: 60 x 16 mm, Number of individual labels: 500

Shrink sleeve - WMS-2 HF 9,5 (EX16)RL YE - 0833245



Shrink sleeve, Roll, yellow, can be labeled with: THERMOMARK ROLLMASTER 300/600, THERMOMARK X1.2, THERMOMARK ROLL X1, THERMOMARK ROLL 2.0, THERMOMARK ROLL, THERMOMARK W: without print, Cut, mounting type: slide-on, cable diameter range: 4.8 ... 9.5 mm, lettering field size: continuous x 16#mm

Stripping tool

Sensor/actuator cable - SAC-4P- 5,0-28R/FR SCO RAIL - 1407321

Accessories

Stripping tool - WIREFOX 4 - 1212156



Stripping tool, for cables and conductors (especially for rubber and silicone insulations) from 0.1 - 4 mm², self-adjusting, stripping length of up to 18 mm, cutting capacity of up to 10 mm² stranded/1.5 mm² solid, replaceable stripping blade

Stripping tool - WIREFOX-E 4 - 1212704



Stripping tool, for cables and conductors (especially for rubber and silicone insulations) from 0.1 - 4 mm², self-adjusting, stripping length of up to 18 mm, cutting capacity of up to 10 mm² stranded/1.5 mm² solid, replaceable stripping blade

Stripping tool - WIREFOX 10 - 1212150



Stripping tool, for cables and conductors from 0.02 - 10 mm², self-adjusting, stripping length of up to 18 mm, cutting capacity of up to 10 mm² stranded/1.5 mm² solid, replaceable stripping blade

Torque tool

Torque screwdriver - TSD 04 SAC - 1208429



Torque screwdriver, with preset torque of 0.4 Nm and 4 mm hexagonal drive for M12 connectors

Torque screwdriver - TSD-M 1,2NM - 1212224



Torque screw driver, accuracy as per EN ISO 6789 standard, adjustable from 0.3 - 1.2 Nm

Phoenix Contact 2020 © - all rights reserved
<http://www.phoenixcontact.com>

PHOENIX CONTACT GmbH & Co. KG
Flachmarktstr. 8
32825 Blomberg
Germany
Tel. +49 5235 300
Fax +49 5235 3 41200
<http://www.phoenixcontact.com>

X-ON Electronics

Largest Supplier of Electrical and Electronic Components

Click to view similar products for [Sensor Cables / Actuator Cables](#) category:

Click to view products by [Phoenix Contact](#) manufacturer:

Other Similar products are found below :

[60963](#) [60964](#) [703000D02F2002](#) [703001D02F0602](#) [703001D02F300](#) [704000D02F120](#) [773032K02F030](#) [802027107404-1](#) [802027213811-1](#)
[804001A09M150](#) [805001A09M0502](#) [84914-0235](#) [84914-0237](#) [885030A09M020](#) [8R4J30E03C3003](#) [1200651332](#) [1200651713](#) [1200660844](#)
[1200660845](#) [1200661173](#) [1200680071](#) [1200720053](#) [1200720081](#) [1200720099](#) [1200720217](#) [1200800231](#) [1200860125](#) [1200870123](#)
[1200980102](#) [1200650267](#) [1200650298](#) [1200660183](#) [1200660782](#) [1200660849](#) [1200661295](#) [1200661297](#) [1200661342](#) [1200661343](#)
[1200670080](#) [1200670220](#) [1200680331](#) [1200720252](#) [1200730184](#) [1200860344](#) [1200870359](#) [1200870643](#) [1200980008](#) [1200980031](#)
[1210502211](#) [1210400542](#)