

Network cable - NBC-M12MSX/10,0-94F/R4AC - 1407474


Please be informed that the data shown in this PDF Document is generated from our Online Catalog. Please find the complete data in the user's documentation. Our General Terms of Use for Downloads are valid (<http://phoenixcontact.com/download>)



Network cable, Ethernet CAT6_A (10 Gbps), CC-Link IE CAT6_A (10 Gbps), 8-position, PUR, water blue RAL 5021, shielded, Plug straight M12 SPEEDCON / IP67, coding: X, on Plug straight RJ45 / IP20, cable length: 10 m



Key Commercial Data

| | |
|--------------|---|
| Packing unit | 1 pc |
| GTIN |  4 046356 776738 |
| GTIN | 4046356776738 |

Technical data

Dimensions

| | |
|-----------------|------|
| Length of cable | 10 m |
|-----------------|------|

Ambient conditions

| | |
|---------------------------------|-----------------------------------|
| Degree of protection | IP65 (M12 connector) |
| | IP67 (M12 connector) |
| | IP20 (RJ45 connector) |
| Ambient temperature (operation) | -25 °C ... 90 °C (M12 connector) |
| | -20 °C ... 70 °C (RJ45 connector) |

General data

| | |
|-----------------------|---|
| Note | Further products with variable cable type and variable cable length can be found in the accessories section |
| Rated current at 40°C | 0.5 A |
| Rated voltage | 48 V AC |
| | 60 V DC |
| Number of positions | 8 |
| Signal type/category | Ethernet CAT6 _A , 10 Gbps |
| | CC-Link IE CAT6 _A , 10 Gbps |
| Standards/regulations | M12 connector IEC 61076-2-109 |

Network cable - NBC-M12MSX/10,0-94F/R4AC - 1407474

Technical data

General data

| | |
|---|-------------------|
| Contact material | CuSn |
| Contact carrier material | PP |
| Contact surface material | Ni/Au |
| Housing material | Plastic |
| Degree of protection | IP67/IP20 |
| Transmission characteristics (category) | CAT6 _A |

Characteristics head 1

| | |
|--|--|
| Head type | Plug straight M12 SPEEDCON / IP67 |
| No. of positions (pin connector pattern) | 8 |
| Coding | X (Data) |
| Color | black |
| Material (component) | CuZn (Contact) |
| | Ni/Au (Contact surface) |
| | PP (Contact carriers) |
| | TPU, hardly inflammable, self-extinguishing (Grip) |
| | Zinc die-cast, nickel-plated (Screw connection) |
| Insulation resistance | ≥ 100 MΩ |
| Insertion/withdrawal cycles | ≥ 100 |
| Torque | 0.4 Nm |
| Ambient temperature (operation) | -25 °C ... 90 °C |
| Shielded | yes |
| Outer sheath, material | PUR |
| External sheath, color | water blue RAL 5021 |
| Type type, plug side | Plug straight |
| Type type, socket side | Plug, straight |

Characteristics head 2

| | |
|--|---------------------------|
| Head type | Plug straight RJ45 / IP20 |
| No. of positions (pin connector pattern) | 8 (8) |
| Color | gray |
| | gray / black |
| Material (component) | CuSn (Contact) |
| | Ni/Au (Contact surface) |
| | PC (Contact carriers) |
| | PA (Housing) |
| Insertion/withdrawal cycles | ≥ 750 |
| Ambient temperature (operation) | -25 °C ... 60 °C |

Standards and Regulations

| | |
|--------------------------|-------------------------------|
| Standards/specifications | M12 connector IEC 61076-2-109 |
|--------------------------|-------------------------------|

Cable

Network cable - NBC-M12MSX/10,0-94F/R4AC - 1407474

Technical data

Cable

| | |
|---|--|
| Cable type | Ethernet 10 Gbit |
| Cable type (abbreviation) | 94F |
| UL AWM style | 20963 (80°C/30 V) |
| Signal type/category | Ethernet CAT6 _A , 10 Gbps |
| Cable structure | 4x2xAWG26/7; S/FTP |
| Conductor cross section | 4x 2x 0.14 mm ² |
| AWG signal line | 26 |
| Conductor structure signal line | 7x 0.16 mm |
| Core diameter including insulation | 1.04 mm |
| Wire colors | white/blue-blue, white/orange-orange, white/green-green, white/brown-brown |
| Twisted pairs | 2 cores to the pair |
| Type of pair shielding | Aluminum-lined foil |
| Overall twist | 4 pairs for core |
| Shielding | Tinned copper braided shield |
| Optical shield covering | 70 % |
| External sheath, color | water blue RAL 5021 |
| Outer sheath thickness | 0.65 mm |
| External cable diameter D | 6.4 mm ±0.2 mm |
| Minimum bending radius, fixed installation | 4 x D |
| Minimum bending radius, flexible installation | 8 x D |
| Tensile strength GRP | ≤ 100 N |
| Cable weight | 42 kg/km |
| Outer sheath, material | PUR |
| Material conductor insulation | Foamed PE |
| Conductor material | Bare Cu litz wires |
| Insulation resistance | ≥ 500 MΩ*km |
| Loop resistance | ≤ 290.00 Ω/km |
| Cable capacity | 47 nF/km |
| Wave impedance | 100 Ω ±5 Ω (at 100 MHz) |
| Near end crosstalk attenuation (NEXT) | 75.3 dB (with 1 MHz) |
| | 66.3 dB (at 4 MHz) |
| | 61.8 dB (at 8 MHz) |
| | 60.3 dB (at 10 MHz) |
| | 57.2 dB (at 16 MHz) |
| | 55.8 dB (at 20 MHz) |
| | 54.3 dB (at 25 MHz) |
| | 52.8 dB (at 31.25 MHz) |
| | 48.4 dB (at 62.5 MHz) |
| | 45.3 dB (at 100 MHz) |
| | 40.8 dB (at 200 MHz) |

Network cable - NBC-M12MSX/10,0-94F/R4AC - 1407474

Technical data

Cable

| | |
|--|------------------------|
| | 39.3 dB (at 250 MHz) |
| | 38.1 dB (at 300 MHz) |
| | 36.3 dB (at 400 MHz) |
| | 34.8 dB (at 500 MHz) |
| Power-summated near end crosstalk attenuation (PSNEXT) | 72.3 dB (with 1 MHz) |
| | 63.3 dB (at 4 MHz) |
| | 58.8 dB (at 8 MHz) |
| | 57.3 dB (at 10 MHz) |
| | 54.2 dB (at 16 MHz) |
| | 52.8 dB (at 20 MHz) |
| | 51.3 dB (at 25 MHz) |
| | 49.9 dB (at 31.25 MHz) |
| | 45.4 dB (at 62.5 MHz) |
| | 42.3 dB (at 100 MHz) |
| | 37.8 dB (at 200 MHz) |
| | 36.3 dB (at 250 MHz) |
| | 35.1 dB (at 300 MHz) |
| | 33.3 dB (at 400 MHz) |
| | 31.8 dB (at 500 MHz) |
| Attenuation | 3.1 dB (with 1 MHz) |
| | 5.7 dB (at 4 MHz) |
| | 8 dB (at 8 MHz) |
| | 8.9 dB (at 10 MHz) |
| | 11.2 dB (at 16 MHz) |
| | 12.6 dB (at 20 MHz) |
| | 14.1 dB (at 25 MHz) |
| | 15.8 dB (at 31.25 MHz) |
| | 22.5 dB (at 62.5 MHz) |
| | 28.7 dB (at 100 MHz) |
| | 41.4 dB (at 200 MHz) |
| | 46.6 dB (at 250 MHz) |
| | 51.4 dB (at 300 MHz) |
| | 60.1 dB (at 400 MHz) |
| | 67.9 dB (at 500 MHz) |
| Return loss (RL) | 20 dB (with 1 MHz) |
| | 23 dB (at 4 MHz) |
| | 24.5 dB (at 8 MHz) |
| | 25 dB (at 10 MHz) |
| | 25 dB (at 16 MHz) |
| | 25 dB (at 20 MHz) |

Network cable - NBC-M12MSX/10,0-94F/R4AC - 1407474

Technical data

Cable

| | |
|---|---|
| | 24.2 dB (at 25 MHz) |
| | 23.3 dB (at 31.25 MHz) |
| | 20.7 dB (at 62.5 MHz) |
| | 19 dB (at 100 MHz) |
| | 16.4 dB (at 200 MHz) |
| | 15.6 dB (at 250 MHz) |
| | 15.6 dB (at 300 MHz) |
| | 15.6 dB (at 400 MHz) |
| | 15.6 dB (at 500 MHz) |
| Signal runtime | 5.13 ns/m |
| Shield attenuation | ≥ 80 dB (at 30 ... 100 MHz) |
| Nominal voltage, cable | ≤ 100 V |
| Test voltage Core/Core | 700 V (50 Hz, 1 min.) |
| Test voltage Core/Shield | 700 V (50 Hz, 1 min.) |
| Flame resistance | according to IEC 60332-1-2 |
| Halogen-free | according to IEC 60754-1 |
| Resistance to oil | in accordance with DIN EN 60811-2-1 |
| Ambient temperature (operation) | -40 °C ... 80 °C (cable, fixed installation) |
| | -20 °C ... 80 °C (cable, flexible installation) |
| Ambient temperature (installation) | -20 °C ... 80 °C |
| Ambient temperature (storage/transport) | -20 °C ... 80 °C |

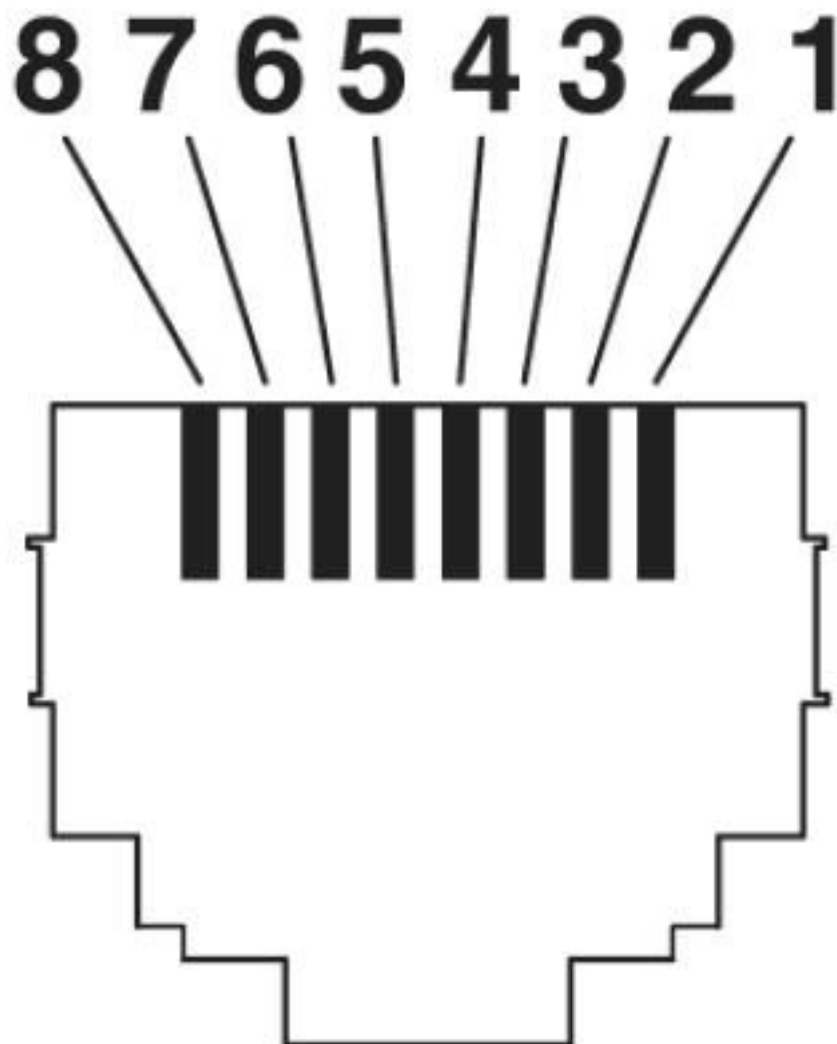
Environmental Product Compliance

| | |
|------------|---|
| REACH SVHC | Lead 7439-92-1 |
| China RoHS | Environmentally Friendly Use Period = 50 years |
| | For details about hazardous substances go to tab "Downloads", Category "Manufacturer's declaration" |

Drawings

Network cable - NBC-M12MSX/10,0-94F/R4AC - 1407474

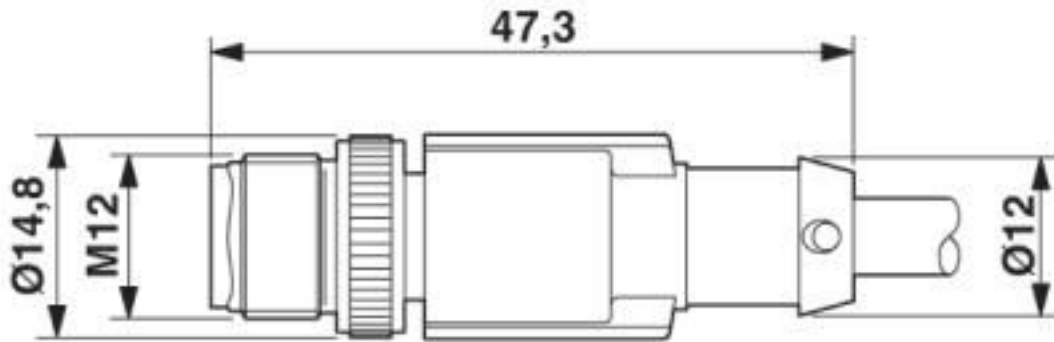
Schematic diagram



Connector pin assignment plug RJ45

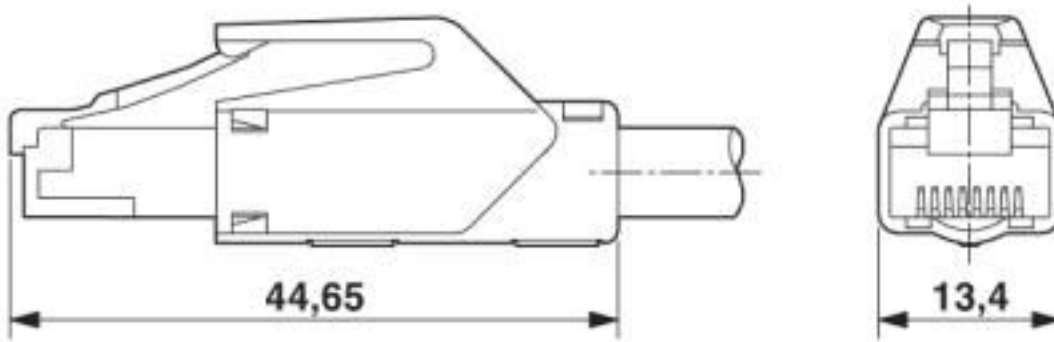
Network cable - NBC-M12MSX/10,0-94F/R4AC - 1407474

Dimensional drawing



Plug, M12 x 1, straight, shielded

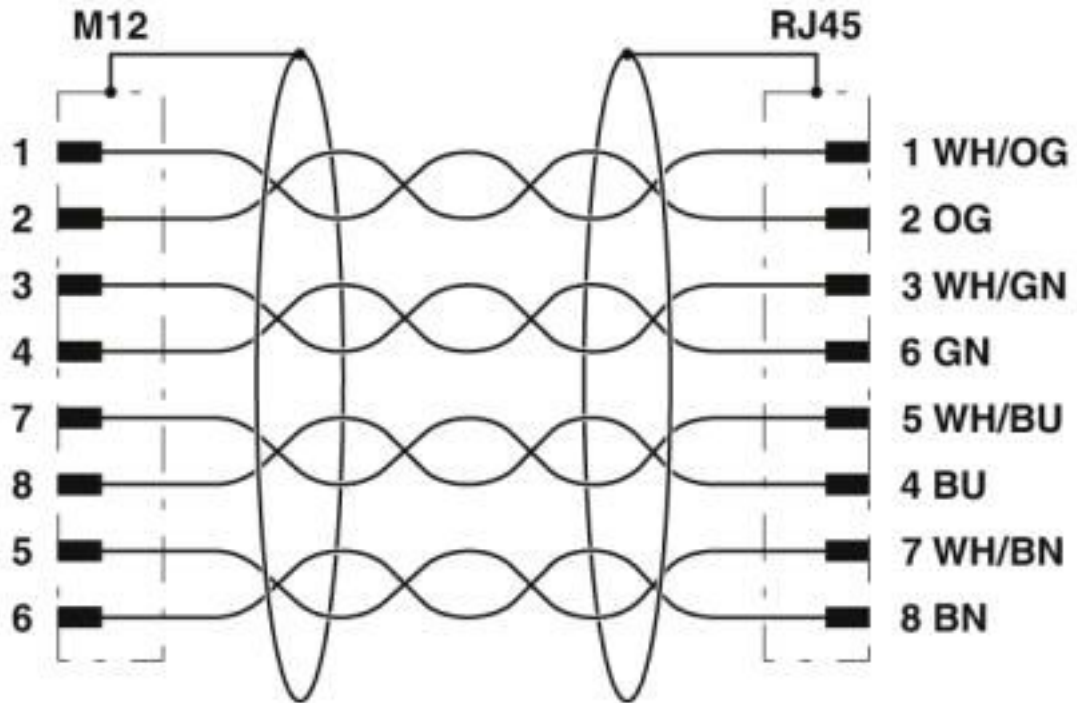
Dimensional drawing



RJ45 connector, IP20

Network cable - NBC-M12MSX/10,0-94F/R4AC - 1407474

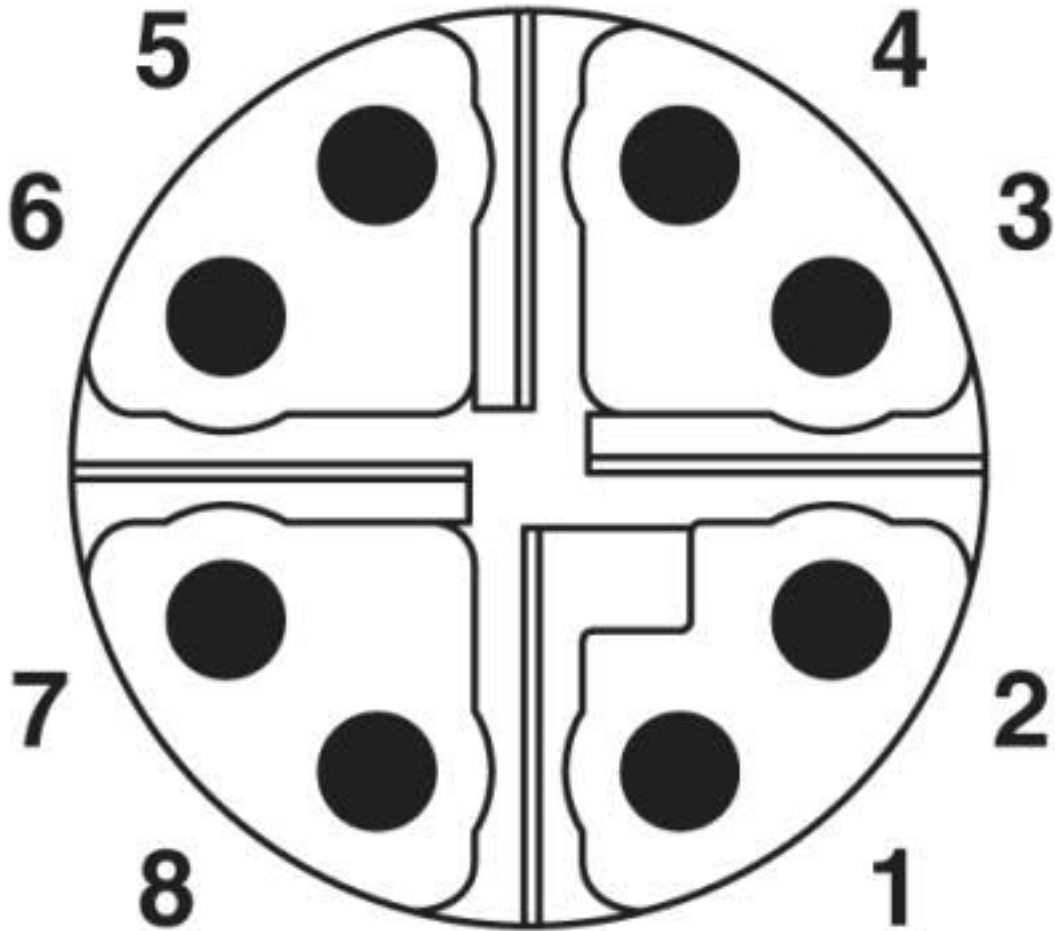
Circuit diagram



Contact assignment of the M12 and RJ45 plug

Network cable - NBC-M12MSX/10,0-94F/R4AC - 1407474

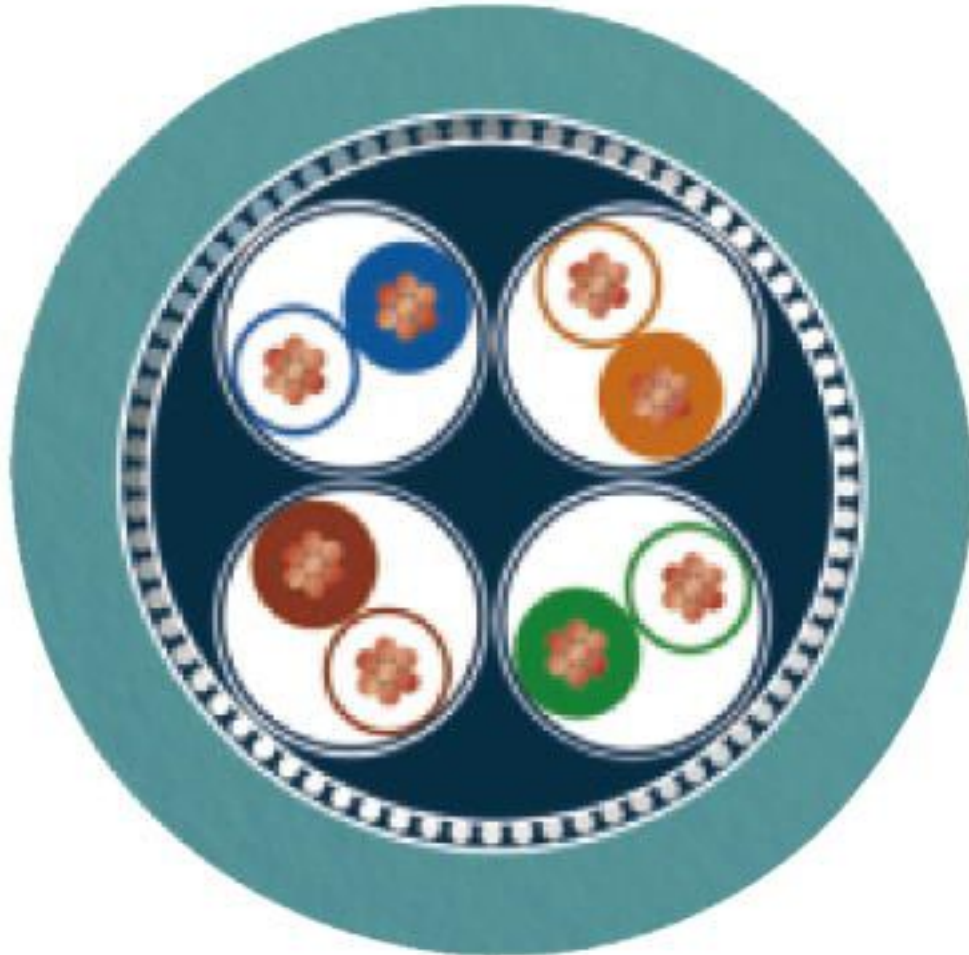
Schematic diagram



Pin assignment of M12 plug, 8-pos., X-coded, pin side view

Network cable - NBC-M12MSX/10,0-94F/R4AC - 1407474

Cable cross section



Ethernet 10 Gbit [94F]

Classifications

eCl@ss

| | |
|---------------|----------|
| eCl@ss 10.0.1 | 27060308 |
| eCl@ss 4.0 | 24010400 |
| eCl@ss 4.1 | 24010400 |
| eCl@ss 5.0 | 19030300 |
| eCl@ss 5.1 | 19030300 |
| eCl@ss 6.0 | 27061800 |
| eCl@ss 7.0 | 27061801 |
| eCl@ss 8.0 | 27061801 |
| eCl@ss 9.0 | 27060308 |

Network cable - NBC-M12MSX/10,0-94F/R4AC - 1407474

Classifications

ETIM

| | |
|----------|----------|
| ETIM 3.0 | EC000830 |
| ETIM 4.0 | EC001855 |
| ETIM 5.0 | EC002599 |
| ETIM 6.0 | EC001262 |
| ETIM 7.0 | EC001262 |

UNSPSC

| | |
|---------------|----------|
| UNSPSC 6.01 | 26121616 |
| UNSPSC 7.0901 | 26121616 |
| UNSPSC 11 | 26121604 |
| UNSPSC 12.01 | 31261501 |
| UNSPSC 13.2 | 26121604 |
| UNSPSC 18.0 | 26121604 |
| UNSPSC 19.0 | 26121604 |
| UNSPSC 20.0 | 26121604 |
| UNSPSC 21.0 | 26121604 |

Approvals

Approvals

Approvals

UL Listed / cUL Listed / EAC-RoHS / cULus Listed

Ex Approvals

Approval details

| | | | |
|--------------------|-------|---|---------------|
| UL Listed | | http://database.ul.com/cgi-bin/XYV/template/LISEXT/1FRAME/index.htm | FILE E 335024 |
| Nominal voltage UN | 30 V | | |
| Nominal current IN | 0.5 A | | |

| | | | |
|--------------------|------|---|---------------|
| cUL Listed | | http://database.ul.com/cgi-bin/XYV/template/LISEXT/1FRAME/index.htm | FILE E 335024 |
| Nominal voltage UN | 30 V | | |

Network cable - NBC-M12MSX/10,0-94F/R4AC - 1407474

Approvals

| | |
|--------------------|-------|
| Nominal current IN | 0.5 A |
|--------------------|-------|

| | | |
|----------|--|----------------------|
| EAC-RoHS | | RU D-DE.HB35.B.00387 |
|----------|--|----------------------|

| | |
|--------------|--|
| cULus Listed | |
|--------------|--|

Accessories

Accessories

Data cable preassembled

Network cable - NBC-M12MSX-R4AC-10G/.../... - 1408647



Network cable, Ethernet CAT6_A (10 Gbps), CC-Link IE CAT6_A (10 Gbps), 8-position, Variable cable type, shielded, Plug straight M12 SPEEDCON / IP67, coding: X, on Plug straight RJ45 / IP20, cable length: Free input (0.2 ... 40.0 m)

Protective cap

Sealing cap - PROT-M12 FS-PA-CHAIN - 1430873

M12 sealing cap made of plastic with fixing band, for sensor cables, for free M12 plugs



Safety locking

Locking clip - SAC-M12-EXCLIP-M - 1558988



Locking clip for the pin side of sensor/actuator cables with M12 connector and M12 connectors for assembly, for knurl diameter: 15 mm or for Allen key with a wrench size of 14 mm, prevents the disconnection of plug-in connections without tools

Screwdriver tools

Network cable - NBC-M12MSX/10,0-94F/R4AC - 1407474

Accessories

Adapter insert - TSD-M SAC-BIT ADAPTER - 1212600



Adapter bit for TSD-M...torque tools, E6.3-1/4" drive with 4 mm hexagon to accommodate SAC bits

Tool - SAC BIT M12-D15 - 1208432



Nut for assembling sensor/actuator cables with M12 connector and M12 connectors for assembly, with a knurl diameter of 15 mm, for 4 mm hexagonal drive

Torque tool

Torque screwdriver - TSD 04 SAC - 1208429



Torque screwdriver, with preset torque of 0.4 Nm and 4 mm hexagonal drive for M12 connectors

Torque screwdriver - TSD-M 1,2NM - 1212224



Torque screw driver, accuracy as per EN ISO 6789 standard, adjustable from 0.3 - 1.2 Nm

Phoenix Contact 2020 © - all rights reserved
<http://www.phoenixcontact.com>

PHOENIX CONTACT GmbH & Co. KG
Flachsmarktstr. 8
32825 Blomberg
Germany
Tel. +49 5235 300
Fax +49 5235 3 41200
<http://www.phoenixcontact.com>

X-ON Electronics

Largest Supplier of Electrical and Electronic Components

Click to view similar products for [Ethernet Cables / Networking Cables](#) category:

Click to view products by [Phoenix Contact](#) manufacturer:

Other Similar products are found below :

[73-6670-7](#) [73-6680-15](#) [73-7797-25](#) [MCJB2-10P6Q7-120](#) [84909-0204](#) [1200700174](#) [1200860368](#) [E16A06002M030](#) [E200102-009-S1](#)
[AX105346-EW](#) [MT14-187L](#) [17-103530](#) [ERWPAB3002M005](#) [190-038045-01](#) [NK5EPC18RDY](#) [NK5EPC18VLY](#) [NK5EPC18YLY](#)
[NK5EPC1GRY](#) [NK5EPC4Y](#) [NK5EPC6YLY](#) [NK5EPC8BLY](#) [NK5EPC9YLY](#) [1969343-6](#) [C501100010](#) [C501106002](#) [C501106007](#)
[C501106015](#) [C501106025](#) [C601102010](#) [C601104010](#) [C601106007](#) [C601106015](#) [2142758-2](#) [2168427-2](#) [CAT1106007](#) [21949-1](#) [2J1866A](#)
[RJF SFTP 5E 0500](#) [AX100351](#) [MN14CEC/ST](#) [C501100015](#) [C501106004](#) [C501106010](#) [C5F1108007](#) [C601104004](#) [C601106004](#)
[CA21106004](#) [CA21106010](#) [CA21106015](#) [CA21109007](#)