

Network cable - NBC-MSD/ 5,0-93B/R4RC SCO - 1407518


Please be informed that the data shown in this PDF Document is generated from our Online Catalog. Please find the complete data in the user's documentation. Our General Terms of Use for Downloads are valid (<http://phoenixcontact.com/download>)



Network cable, PROFINET CAT5 (100 Mbps), EtherCAT® CAT5 (100 Mbps), 4-position, PVC/PVC, green RAL 6018, shielded, Plug straight M12 SPEEDCON / IP67, coding: D, on Plug straight RJ45 Push Pull / IP67, cable length: 5 m



Key Commercial Data

| | |
|--------------|---|
| Packing unit | 1 pc |
| GTIN |  4 046356 778237 |
| GTIN | 4046356778237 |

Technical data

Dimensions

| | |
|-----------------|-----|
| Length of cable | 5 m |
|-----------------|-----|

Ambient conditions

| | |
|---------------------------------|-----------------------------------|
| Degree of protection | IP65 (M12 connector) |
| | IP67 (M12 connector) |
| | IP67 (RJ45 connector) |
| Ambient temperature (operation) | -25 °C ... 90 °C (M12 connector) |
| | -40 °C ... 70 °C (RJ45 connector) |

General data

| | |
|-----------------------|--|
| Note | This product corresponds to the PROFINET Cabling and Interconnection Technology Guideline for PROFINET regulations, version 2.00, order no: 2.252, Chapter 8.2 Connectors for Outside Environment (Balanced cabling) |
| | Further products with variable cable type and variable cable length can be found in the accessories section |
| Rated current at 40°C | 1 A |
| Rated voltage | 48 V AC |
| | 60 V DC |
| Number of positions | 4 |

Network cable - NBC-MSD/ 5,0-93B/R4RC SCO - 1407518

Technical data

General data

| | |
|---|--------------------------------------|
| Signal type/category | PROFINET CAT5 (IEC 11801), 100 Mbps |
| | EtherCAT® CAT5 (IEC 11801), 100 Mbps |
| Standards/regulations | M12 connector IEC 61076-2-101 |
| Contact material | CuSn |
| Contact carrier material | TPU GF |
| Contact surface material | Ni/Au |
| Housing material | Metal |
| Degree of protection | IP65/IP67 |
| Transmission characteristics (category) | CAT5 |

Characteristics head 1

| | |
|--|--|
| Head type | Plug straight M12 SPEEDCON / IP67 |
| No. of positions (pin connector pattern) | 4 |
| Coding | D (Data) |
| Color | black |
| Material (component) | CuSn (Contact) |
| | Ni/Au (Contact surface) |
| | PA (Contact carriers) |
| | TPU, hardly inflammable, self-extinguishing (Grip) |
| | Zinc die-cast, nickel-plated (Screw connection) |
| Insulation resistance | ≥ 100 MΩ |
| Insertion/withdrawal cycles | ≥ 100 |
| Torque | 0.4 Nm |
| Ambient temperature (operation) | -25 °C ... 90 °C |
| Shielded | yes |
| Outer sheath, material | PVC |
| External sheath, color | green RAL 6018 |
| Type type, plug side | Plug straight |
| Type type, socket side | Plug, straight |

Characteristics head 2

| | |
|--|--|
| Head type | Plug straight RJ45 Push Pull / IP67 |
| No. of positions (pin connector pattern) | 4 (8) |
| Color | silver |
| | gray / black |
| Material (component) | CuSn (Contact) |
| | Ni/Au (Contact surface) |
| | PC (Contact carriers) |
| | Zinc die-cast, nickel-plated (Housing) |
| Insertion/withdrawal cycles | ≥ 750 |
| Ambient temperature (operation) | -40 °C ... 70 °C |

Network cable - NBC-MSD/ 5,0-93B/R4RC SCO - 1407518

Technical data

Standards and Regulations

| | |
|--------------------------|-------------------------------|
| Standards/specifications | M12 connector IEC 61076-2-101 |
|--------------------------|-------------------------------|

Cable

| | |
|---|--|
| Cable type | PROFINET PVC stranded CAT5 |
| Cable type (abbreviation) | 93B |
| UL AWM style | 21694 |
| Signal type/category | PROFINET CAT5 (IEC 11801), 100 Mbps EtherCAT [®] CAT5 (IEC 11801), 100 Mbps |
| Cable structure | 1x4xAWG22/7; SF/TQ |
| Conductor cross section | 4x 0.34 mm ² |
| AWG signal line | 22 |
| Conductor structure signal line | 7x 0.25 mm |
| Core diameter including insulation | 1.55 mm |
| Wire colors | White, yellow, blue, orange |
| Overall twist | Star quad |
| Shielding | Aluminum-coated foil, tinned copper braided shield |
| Optical shield covering | 85 % |
| External sheath, color | green RAL 6018 |
| Outer sheath thickness | approx. 0.9 mm |
| External cable diameter D | 6.5 mm ±0.2 mm |
| Minimum bending radius, fixed installation | 3 x D |
| Minimum bending radius, flexible installation | 7 x D |
| Cable weight | 67 kg/km |
| Outer sheath, material | PVC |
| Material, inner sheath | PVC |
| Material conductor insulation | PE |
| Conductor material | Tin-plated Cu litz wires |
| Insulation resistance | ≥ 500 MΩ*km |
| Loop resistance | ≤ 120.00 Ω/km |
| Wave impedance | 100 Ω ±15 Ω (at 100 MHz) |
| Near end crosstalk attenuation (NEXT) | 80 dB (with 1 MHz) 76 dB (at 4 MHz) 70 dB (at 10 MHz) 65 dB (at 16 MHz) 63 dB (at 20 MHz) 60 dB (at 31.25 MHz) 55 dB (at 62.5 MHz) 50 dB (at 100 MHz) |
| Attenuation | 2.1 dB (with 1 MHz) 4 dB (at 4 MHz) 6.3 dB (at 10 MHz) |

Network cable - NBC-MSD/ 5,0-93B/R4RC SCO - 1407518

Technical data

Cable

| | |
|---|---|
| | 8 dB (at 16 MHz) |
| | 9 dB (at 20 MHz) |
| | 11.4 dB (at 31.25 MHz) |
| | 16.5 dB (at 62.5 MHz) |
| | 21.3 dB (at 100 MHz) |
| Signal speed | 0.66 c |
| Signal runtime | 5.3 ns/m |
| Coupling resistance | ≤ 20.00 mΩ/m (at 10 MHz) |
| Nominal voltage, cable | 600 V |
| Test voltage Core/Core | 2000 V (50 Hz, 1 min.) |
| Test voltage Core/Shield | 2000 V (50 Hz, 1 min.) |
| Flame resistance | according to UL 1685 (CSA FT 4) |
| Resistance to oil | Resistant to oil to a limited extent |
| Other resistance | UV resistant According to UL 1581, Section 1200 |
| Ambient temperature (operation) | -40 °C ... 70 °C (cable, fixed installation) |
| | -40 °C ... 70 °C (cable, flexible installation) |
| Ambient temperature (installation) | -20 °C ... 60 °C |
| Ambient temperature (storage/transport) | -50 °C ... 70 °C |

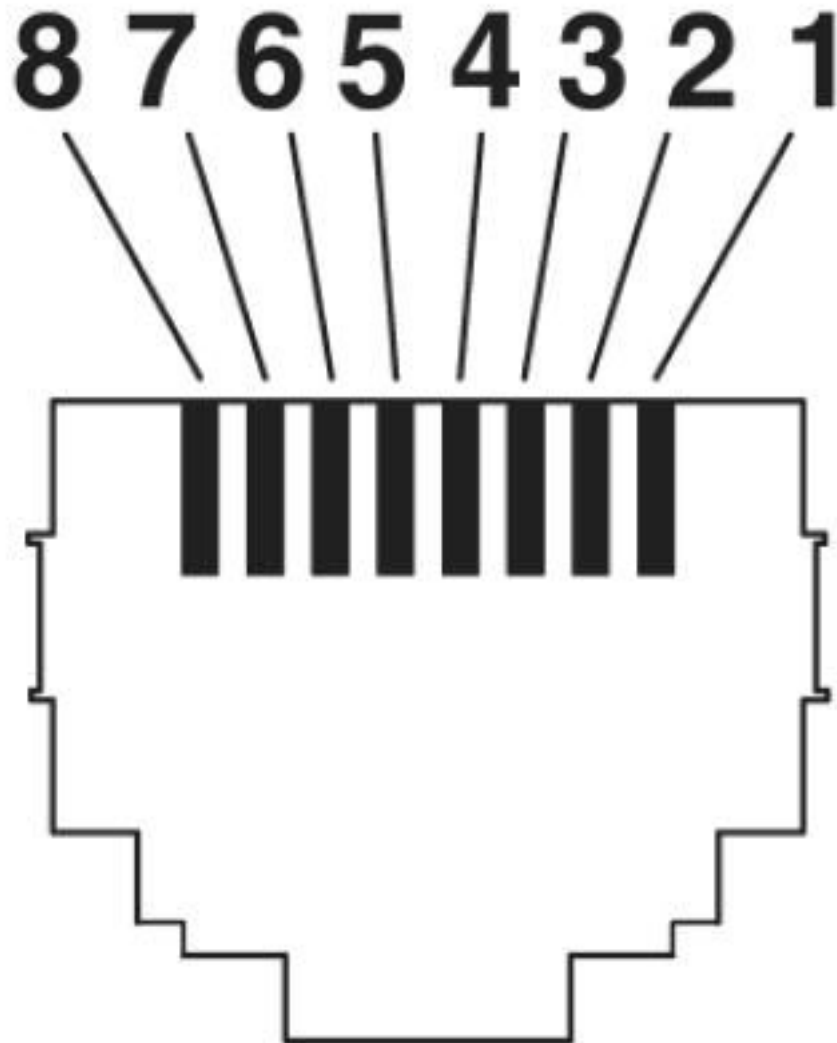
Environmental Product Compliance

| | |
|------------|---|
| REACH SVHC | Lead 7439-92-1 |
| China RoHS | Environmentally Friendly Use Period = 50 years |
| | For details about hazardous substances go to tab "Downloads", Category "Manufacturer's declaration" |

Drawings

Network cable - NBC-MSD/ 5,0-93B/R4RC SCO - 1407518

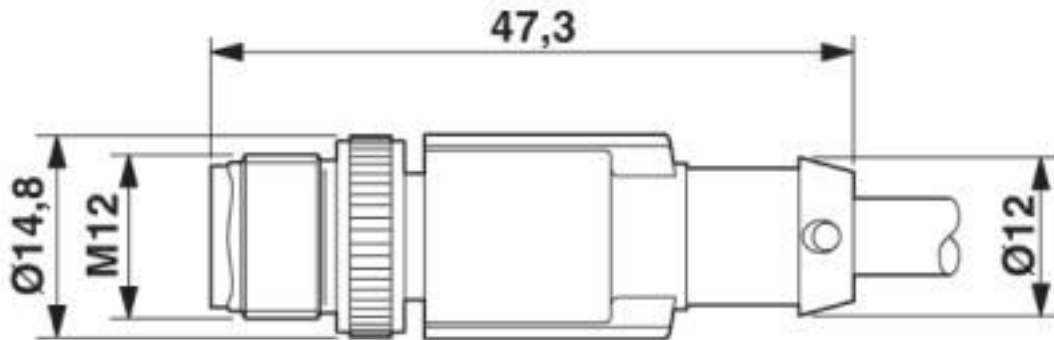
Schematic diagram



Connector pin assignment plug RJ45

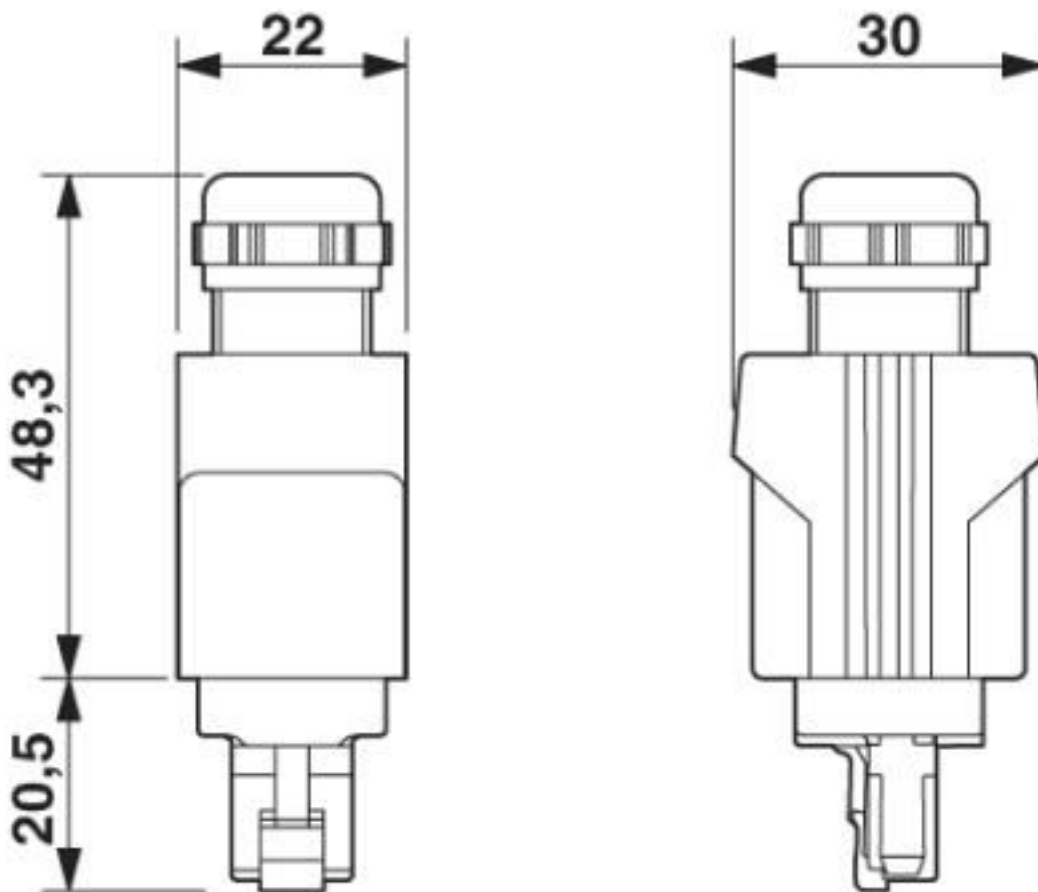
Network cable - NBC-MSD/ 5,0-93B/R4RC SCO - 1407518

Dimensional drawing



Plug, M12 x 1, straight, shielded

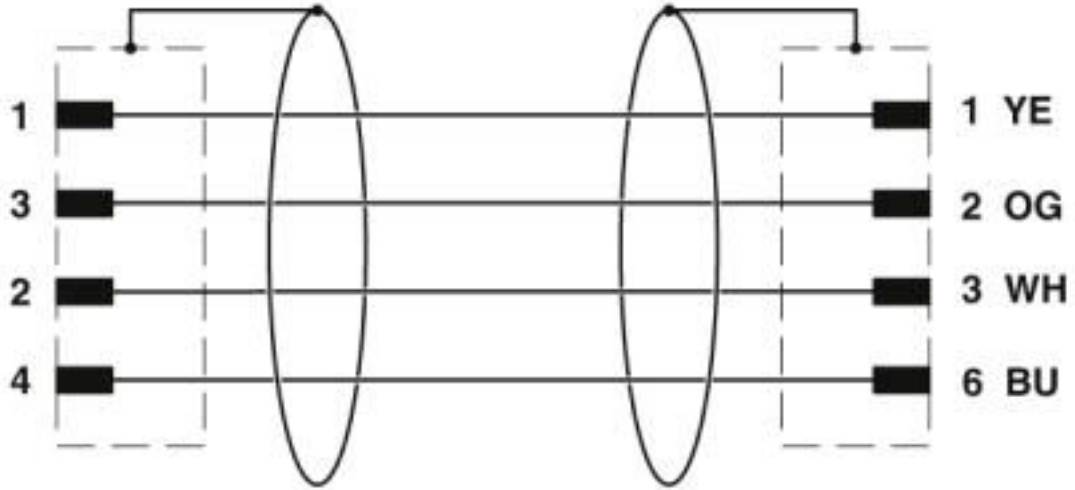
Dimensional drawing



RJ45 Push-Pull connector, IP67

Network cable - NBC-MSD/ 5,0-93B/R4RC SCO - 1407518

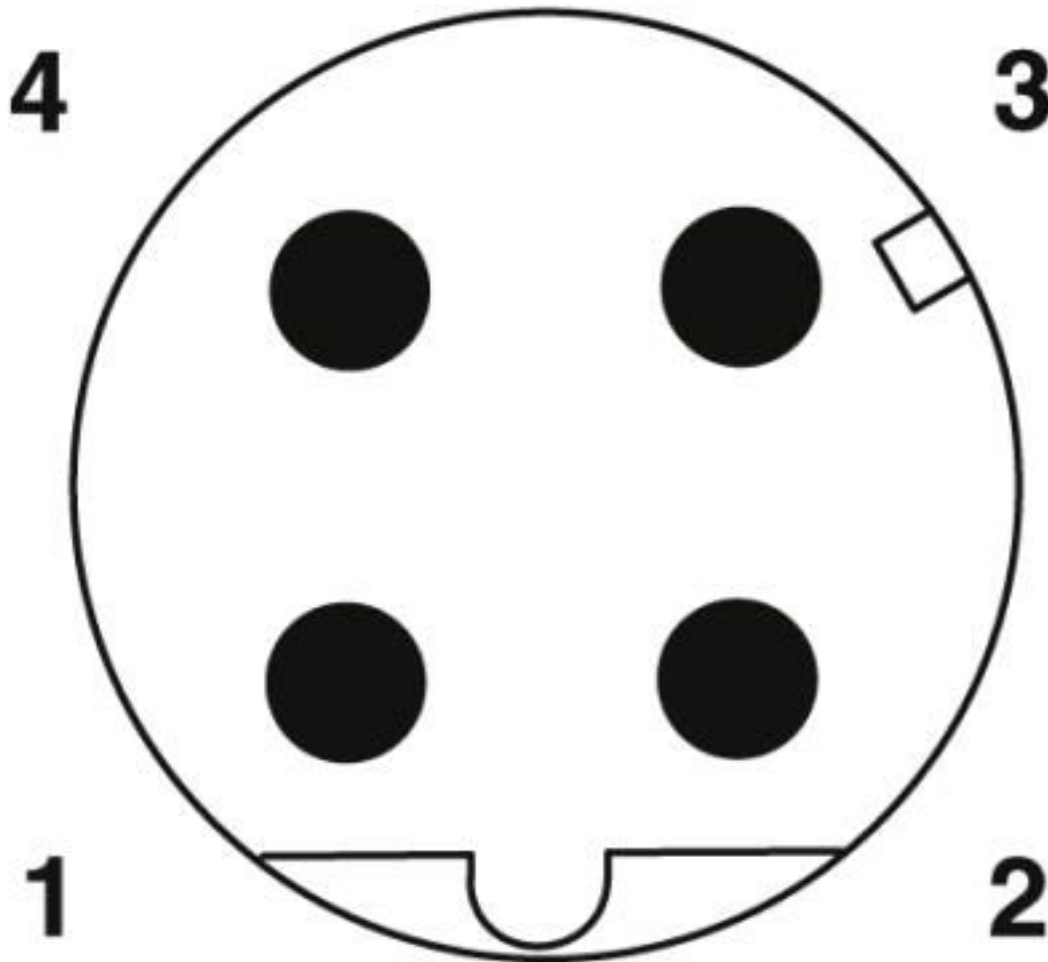
Circuit diagram



Contact assignment of the M12 and RJ45 plug

Network cable - NBC-MSD/ 5,0-93B/R4RC SCO - 1407518

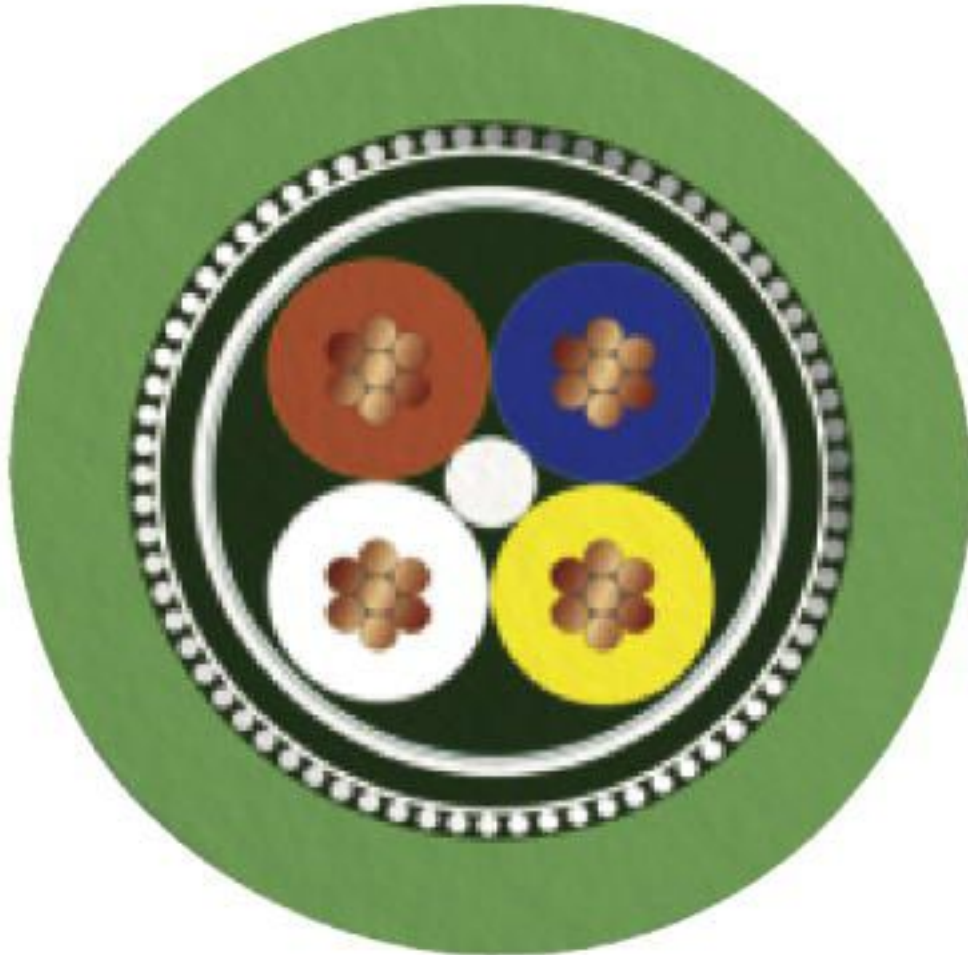
Schematic diagram



Pin assignment M12 male connector, 4-pos., D-coded, male side

Network cable - NBC-MSD/ 5,0-93B/R4RC SCO - 1407518

Cable cross section



PROFINET PVC stranded CAT5 [93B]

Classifications

eCl@ss

| | |
|---------------|----------|
| eCl@ss 10.0.1 | 27060308 |
| eCl@ss 4.0 | 24010400 |
| eCl@ss 4.1 | 24010400 |
| eCl@ss 5.0 | 19030300 |
| eCl@ss 5.1 | 19030300 |
| eCl@ss 6.0 | 27061800 |
| eCl@ss 7.0 | 27061801 |
| eCl@ss 8.0 | 27061801 |
| eCl@ss 9.0 | 27060308 |

Network cable - NBC-MSD/ 5,0-93B/R4RC SCO - 1407518

Classifications

ETIM

| | |
|----------|----------|
| ETIM 3.0 | EC000830 |
| ETIM 4.0 | EC001855 |
| ETIM 5.0 | EC002599 |
| ETIM 6.0 | EC001262 |
| ETIM 7.0 | EC001262 |

UNSPSC

| | |
|---------------|----------|
| UNSPSC 6.01 | 31261501 |
| UNSPSC 7.0901 | 31261501 |
| UNSPSC 11 | 31261501 |
| UNSPSC 12.01 | 31261501 |
| UNSPSC 13.2 | 26121604 |
| UNSPSC 18.0 | 26121604 |
| UNSPSC 19.0 | 26121604 |
| UNSPSC 20.0 | 26121604 |
| UNSPSC 21.0 | 26121604 |

Approvals

Approvals

Approvals

EAC-RoHS

Ex Approvals

Approval details

| | | |
|----------|---|--------------------------|
| EAC-RoHS |  | RU D- DE.HB35.B.00387 |
|----------|---|--------------------------|

Accessories

Accessories

Data cable preassembled

Network cable - NBC-MSD/ 5,0-93B/R4RC SCO - 1407518

Accessories

Network cable - NBC-MSD-R4RC SCO-PN/.../... - 1408636



Network cable, PROFINET CAT5 (100 Mbps), EtherCAT® CAT5 (100 Mbps), 4-position, Variable cable type, shielded, Plug straight M12 SPEEDCON / IP67, coding: D, on Plug straight RJ45 Push Pull / IP67, cable length: Free input (0.2 ... 40.0 m)

Network cable - NBC-MRD-R4RC SCO-PN/.../... - 1408628



Network cable, PROFINET CAT5 (100 Mbps), EtherCAT® CAT5 (100 Mbps), 4-position, Variable cable type, shielded, Plug angled M12 SPEEDCON / IP67, coding: D, on Plug straight RJ45 Push Pull / IP67, cable length: Free input (0.2 ... 40.0 m)

Network cable - NBC-MSD-R4QC SCO-PN/.../... - 1408635



Network cable, PROFINET CAT5 (100 Mbps), EtherCAT® CAT5 (100 Mbps), 4-position, Variable cable type, shielded, Plug straight M12 SPEEDCON / IP67, coding: D, on Plug straight RJ45 Push Pull / IP67, cable length: Free input (0.2 ... 40.0 m)

Network cable - NBC-MRD-R4QC SCO-PN/.../... - 1408626



Network cable, PROFINET CAT5 (100 Mbps), EtherCAT® CAT5 (100 Mbps), 4-position, Variable cable type, shielded, Plug angled M12 SPEEDCON / IP67, coding: D, on Plug straight RJ45 Push Pull / IP67, cable length: Free input (0.2 ... 40.0 m)

Network cable - NBC-FSD-R4RC SCO-PN/.../... - 1408619



Network cable, PROFINET CAT5 (100 Mbps), EtherCAT® CAT5 (100 Mbps), 4-position, Variable cable type, shielded, Plug straight RJ45 Push Pull / IP67, on Socket straight M12 SPEEDCON / IP67, coding: D, cable length: Free input (0.2 ... 40.0 m)

Network cable - NBC-MSD/ 5,0-93B/R4RC SCO - 1407518

Accessories

Network cable - NBC-FRD-R4RC SCO-PN/.../... - 1408610



Network cable, PROFINET CAT5 (100 Mbps), EtherCAT® CAT5 (100 Mbps), 4-position, Variable cable type, shielded, Plug straight RJ45 Push Pull / IP67, on Socket angled M12 SPEEDCON / IP67, coding: D, cable length: Free input (0.2 ... 40.0 m)

Network cable - NBC-FSD-R4QC SCO-PN/.../... - 1408618



Network cable, PROFINET CAT5 (100 Mbps), EtherCAT® CAT5 (100 Mbps), 4-position, Variable cable type, shielded, Plug straight RJ45 Push Pull / IP67, on Socket straight M12 SPEEDCON / IP67, coding: D, cable length: Free input (0.2 ... 40.0 m)

Network cable - NBC-FRD-R4QC SCO-PN/.../... - 1408609



Network cable, PROFINET CAT5 (100 Mbps), EtherCAT® CAT5 (100 Mbps), 4-position, Variable cable type, shielded, Plug straight RJ45 Push Pull / IP67, on Socket angled M12 SPEEDCON / IP67, coding: D, cable length: Free input (0.2 ... 40.0 m)

Protective cap

Sealing cap - PROT-M12 FS-PA-CHAIN - 1430873

M12 sealing cap made of plastic with fixing band, for sensor cables, for free M12 plugs



Safety locking

Locking clip - SAC-M12-EXCLIP-M - 1558988



Locking clip for the pin side of sensor/actuator cables with M12 connector and M12 connectors for assembly, for knurl diameter: 15 mm or for Allen key with a wrench size of 14 mm, prevents the disconnection of plug-in connections without tools

Screwdriver tools

Network cable - NBC-MSD/ 5,0-93B/R4RC SCO - 1407518

Accessories

Adapter insert - TSD-M SAC-BIT ADAPTER - 1212600



Adapter bit for TSD-M...torque tools, E6.3-1/4" drive with 4 mm hexagon to accommodate SAC bits

Tool - SAC BIT M12-D15 - 1208432



Nut for assembling sensor/actuator cables with M12 connector and M12 connectors for assembly, with a knurl diameter of 15 mm, for 4 mm hexagonal drive

Torque tool

Torque screwdriver - TSD 04 SAC - 1208429



Torque screwdriver, with preset torque of 0.4 Nm and 4 mm hexagonal drive for M12 connectors

Torque screwdriver - TSD-M 1,2NM - 1212224



Torque screw driver, accuracy as per EN ISO 6789 standard, adjustable from 0.3 - 1.2 Nm

Phoenix Contact 2020 © - all rights reserved
<http://www.phoenixcontact.com>

PHOENIX CONTACT GmbH & Co. KG
Flachsmarktstr. 8
32825 Blomberg
Germany
Tel. +49 5235 300
Fax +49 5235 3 41200
<http://www.phoenixcontact.com>

X-ON Electronics

Largest Supplier of Electrical and Electronic Components

Click to view similar products for [Ethernet Cables / Networking Cables](#) category:

Click to view products by [Phoenix Contact](#) manufacturer:

Other Similar products are found below :

[73-6670-7](#) [73-6680-15](#) [73-7797-25](#) [MCJB2-10P6Q7-120](#) [84909-0204](#) [1200700174](#) [1200860368](#) [E16A06002M030](#) [E200102-009-S1](#)
[AX105346-EW](#) [MT14-187L](#) [17-103530](#) [ERWPAB3002M005](#) [190-038045-01](#) [NK5EPC18RDY](#) [NK5EPC18VLY](#) [NK5EPC18YLY](#)
[NK5EPC1GRY](#) [NK5EPC4Y](#) [NK5EPC6YLY](#) [NK5EPC8BLY](#) [NK5EPC9YLY](#) [1969343-6](#) [C501100010](#) [C501106002](#) [C501106007](#)
[C501106015](#) [C501106025](#) [C601102010](#) [C601104010](#) [C601106007](#) [C601106015](#) [2142758-2](#) [2168427-2](#) [CAT1106007](#) [21949-1](#) [2J1866A](#)
[RJF SFTP 5E 0500](#) [AX100351](#) [MN14CEC/ST](#) [C501100015](#) [C501106004](#) [C501106010](#) [C5F1108007](#) [C601104004](#) [C601106004](#)
[CA21106004](#) [CA21106010](#) [CA21106015](#) [CA21109007](#)