

Housing - HC-EVO-B16-SHWSC-2SSM40-PLRBK - 1407651

Please be informed that the data shown in this PDF Document is generated from our Online Catalog. Please find the complete data in the user's documentation. Our General Terms of Use for Downloads are valid (<http://phoenixcontact.com/download>)



Box mounting bases B16, with single locking latch, material: PA, protective cover material: PA, cable outlets: 2, lateral, height: 84 mm, cable gland: none, support sleeve: no, 2x M40, protective cover: yes, Standard

Product Description

One screw connection opening is closed, however can be opened using a screwdriver


Your advantages

- Lower costs than metal version
- Low weight
- Lower risk of condensation
- Both contact insert PE sheets are connected by means of a metal frame integrated in the sleeve housing
- Metal inlays ensure leading PE contact with angled plugs
- Completely corrosion-resistant
- Halogen-free plastic
- Marking label can be attached



COMPLETE RoHS

Key Commercial Data

| | |
|--------------|---|
| Packing unit | 1 pc |
| GTIN |  4 046356 777148 |
| GTIN | 4046356777148 |

Technical data

Dimensions

| | |
|--------|--------|
| Height | 84 mm |
| Width | 57 mm |
| Length | 117 mm |

Ambient conditions

| | |
|-----------------------------|--|
| Degree of protection (IP) | IP66 (when plugged in or with locked protective cover) |
| Degree of protection (NEMA) | 12 (UL 50e) |

Housing - HC-EVO-B16-SHWSC-2SSM40-PLRBK - 1407651

Technical data

Ambient conditions

| | |
|---------------------------------|-------------------|
| Ambient temperature (operation) | -40 °C ... 125 °C |
|---------------------------------|-------------------|

General

| | |
|--|---|
| Note | For contact inserts HC-B16, BB32, D40, DD72, HS6, HV6, M, K, HV06-I-PR, HV 6-E...C |
| Size | B16 |
| Housing type | Box mounting bases |
| Color | black |
| Locking type | with single locking latch |
| No. of cable outlets | 2 |
| Cable outlet | lateral |
| Screw connection | none |
| Type of the screw connection | 2x M40 |
| Protective cover | yes |
| Housing material | PA |
| Seal material | NBR |
| Material lock | PA |
| Material, protective cover | PA |
| Flammability rating according to UL 94 | V0 (Housing) |
| | V0 (Interlock) |
| | V0 (Protective cover) |
| Connection | One of the two openings for the screw connections is sealed but can be broken open using a screwdriver. |

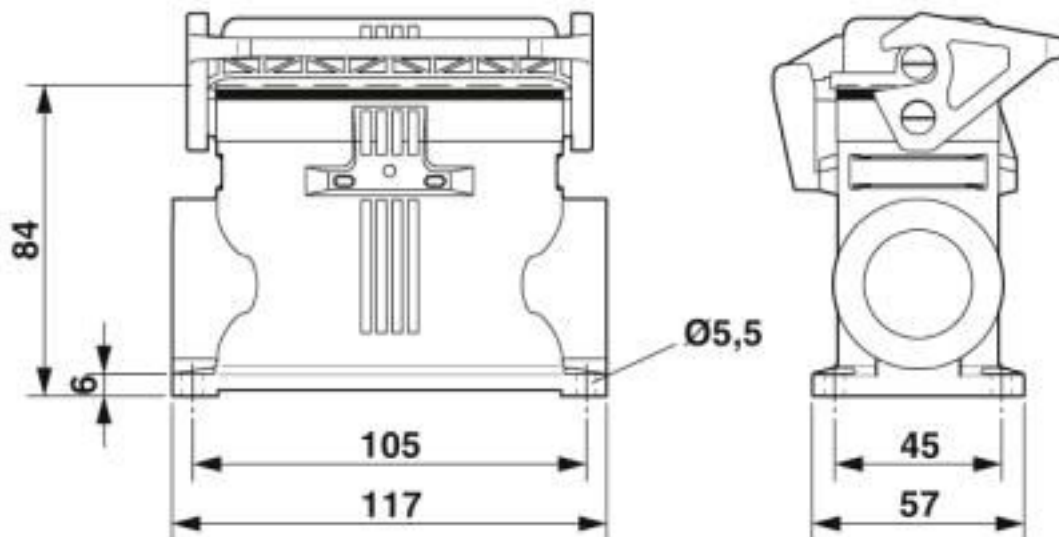
Environmental Product Compliance

| | |
|------------|---|
| China RoHS | Environmentally friendly use period: unlimited = EFUP-e |
| | No hazardous substances above threshold values |

Drawings

Housing - HC-EVO-B16-SHWSC-2SSM40-PLRBK - 1407651

Dimensional drawing



Dimensional drawing

Classifications

eCl@ss

| | |
|---------------|----------|
| eCl@ss 10.0.1 | 27440202 |
| eCl@ss 4.0 | 27140800 |
| eCl@ss 4.1 | 27140800 |
| eCl@ss 5.0 | 27143400 |
| eCl@ss 5.1 | 27261200 |
| eCl@ss 6.0 | 27261200 |
| eCl@ss 7.0 | 27440202 |
| eCl@ss 8.0 | 27440202 |
| eCl@ss 9.0 | 27440202 |

ETIM

| | |
|----------|----------|
| ETIM 3.0 | EC000437 |
| ETIM 4.0 | EC000437 |
| ETIM 5.0 | EC000437 |
| ETIM 6.0 | EC000437 |
| ETIM 7.0 | EC000437 |

UNSPSC

| | |
|---------------|----------|
| UNSPSC 6.01 | 31261502 |
| UNSPSC 7.0901 | 31261502 |
| UNSPSC 11 | 31261502 |
| UNSPSC 12.01 | 31261502 |
| UNSPSC 13.2 | 31261501 |

Housing - HC-EVO-B16-SHWSC-2SSM40-PLRBK - 1407651

Classifications

UNSPSC

| | |
|-------------|----------|
| UNSPSC 18.0 | 31261501 |
| UNSPSC 19.0 | 31261501 |
| UNSPSC 20.0 | 31261501 |
| UNSPSC 21.0 | 31261501 |

Approvals

Approvals

Approvals

EAC / DNV GL

Ex Approvals

Approval details

| | | |
|-----|--|--------------------------|
| EAC | | RU C- DE.AI30.B.01102 |
|-----|--|--------------------------|

| | | | |
|--------|--|---|------------|
| DNV GL | | https://approvalfinder.dnvgl.com/ | TAE000037S |
|--------|--|---|------------|

Accessories

Accessories

Device marking

Snap-in markers - US-EMP (20X9) - 0829439



Snap-in markers, Card, white, unlabeled, can be labeled with: BLUEMARK ID COLOR, BLUEMARK ID, THERMOMARK PRIME, THERMOMARK CARD 2.0, THERMOMARK CARD, mounting type: snapped into marker carrier, lettering field size: 20 x 9 mm, Number of individual labels: 70

Full screw connection

Housing - HC-EVO-B16-SHWSC-2SSM40-PLRBK - 1407651

Accessories

Cable gland - HC-K-KV-M40(16-28)BK - 1407674



Plastic screw connection up to 5 bar, thread length: 10 mm, cable diameter: 16 - 28 mm, WAF 46, screw connection: M40

Cable gland - G-INS-M40-M68N-PNES-BK - 1411137



Cable gland, cable gland material: PA, external cable diameter 19 mm ... 28 mm, shielding: no, connecting thread: M40 x 1.5, color: jet black RAL 9005

Housing latches

Single locking latch - HC-B16-SL-PLBK - 1407700



Replacement single locking latch for HEAVYCON EVO housing type B16, PA

Plug for cable screw gland

Filler plugs - HC-K-BS-M40-BK - 1410767



Filler plug, plastic, size: M40

Protective cover

Protective covers - HC-B16-BC-HI-PLBK - 1407694



HEAVYCON EVO hinged protective cover, size B16, for EVO plastic supporting base element, IP65, PA

Reducing adapter

Housing - HC-EVO-B16-SHWSC-2SSM40-PLRBK - 1407651

Accessories

Reducing adapter - REDUC-K-KV-M40/M25 BK - 1410741



Reducing adapter, material: Polyamide fiberglass reinforced, connecting thread: M40 x 1.5, color: black, with flat gasket

Reducing adapter - REDUC-K-KV-M40/M32 BK - 1410738



Reducing adapter, material: Polyamide fiberglass reinforced, connecting thread: M40 x 1.5, color: black, with flat gasket

Seal

Profile gasket - HC-B16-SP-RBK - 1407708



Profile gasket for HEAVYCON EVO supporting base element type B16

Phoenix Contact 2020 © - all rights reserved
<http://www.phoenixcontact.com>

PHOENIX CONTACT GmbH & Co. KG
Flachsmarktstr. 8
32825 Blomberg
Germany
Tel. +49 5235 300
Fax +49 5235 3 41200
<http://www.phoenixcontact.com>

X-ON Electronics

Largest Supplier of Electrical and Electronic Components

Click to view similar products for [Heavy Duty Power Connectors](#) category:

Click to view products by [Phoenix Contact](#) manufacturer:

Other Similar products are found below :

[647757-1](#) [6643411-1](#) [6646058-2](#) [6646137-1](#) [6646138-1](#) [6646479-1](#) [6646608-1](#) [6646786-1](#) [6646940-1](#) [6651091-1](#) [6651525-1](#) [6651529-1](#)
[6651788-1](#) [696475-1](#) [702-32-01109](#) [703-25-02205](#) [73000005059](#) [73000005642](#) [765-15-0080A](#) [765-16-0080B](#) [765-18-0080D](#) [829992-1](#)
[902-77-02113](#) [PS00/A0620/6300](#) [129-1J](#) [1409400](#) [AN0024023](#) [E6374G1](#) [e6389g2](#) [157-43GW8](#) [MS3117-14AC](#) [1643543-1](#) [1650540-1](#)
[1651811-2](#) [1766260-1](#) [1766282-1](#) [1766966-1](#) [1791340000](#) [NLDFT-3-BL-L-S120-M40A](#) [NLDFT-N-W-L-C240-M40B](#) [NLS-2-R-C240-](#)
[M40B](#) [NLS-N-W-C240-M40B](#) [NPS-3-BL-T6](#) [1986615-1](#) [2-1589900-8](#) [2199314-1](#) [KA8102](#) [9300480317](#) [SBS50BRN#6](#) [29131](#)