

Housing - HC-EVO-B24-BWS-PLRBK - 1407659

Please be informed that the data shown in this PDF Document is generated from our Online Catalog. Please find the complete data in the user's documentation. Our General Terms of Use for Downloads are valid (<http://phoenixcontact.com/download>)



HEAVYCON EVO panel mounting base, plastic, B24, with single locking latch, height: 30.5 mm, with flat gasket

Your advantages

- Lower costs than metal version
- Low weight
- Lower risk of condensation
- Both contact insert PE sheets are connected by means of a metal frame integrated in the sleeve housing
- Metal inlays ensure leading PE contact with angled plugs
- Completely corrosion-resistant
- Halogen-free plastic
- Marking label can be attached



Key Commercial Data

Packing unit	1 pc
GTIN	
GTIN	4046356777223

Technical data

Dimensions

Height	30.5 mm
Width	53 mm
Length	140.5 mm
Length of the assembly cutout	113 mm
Width of the assembly cutout	35 mm

Ambient conditions

Degree of protection (IP)	IP66
Degree of protection (NEMA)	12 (UL 50e)

Housing - HC-EVO-B24-BWS-PLRBK - 1407659

Technical data

Ambient conditions

Ambient temperature (operation)	-40 °C ... 125 °C
---------------------------------	-------------------

General

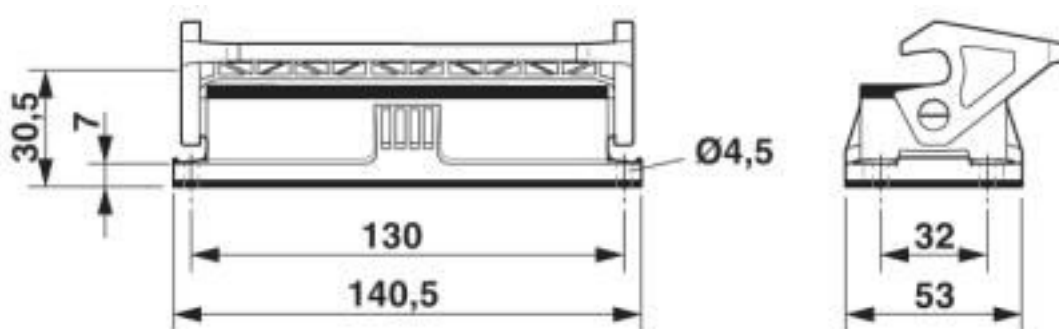
Note	For contact inserts HC-B24, BB46, D64, DD108, M, K, HV10-I-PT, HV 10-E...C
Size	B24
Housing type	Panel mounting base
Color	black
Locking type	with single locking latch
Torque	0.5 Nm ... 1.7 Nm (Fixing screws for panel mounting base)
Screw connection	none
Housing material	PA
Seal material	NBR
Material lock	PA
Flammability rating according to UL 94	V0 (Housing)
	V0 (Interlock)
Assembly instructions	Not for D series terminal adapters
Connection	Not for HC-B 24-ADP-B..... adapter plates

Environmental Product Compliance

China RoHS	Environmentally friendly use period: unlimited = EFUP-e
	No hazardous substances above threshold values

Drawings

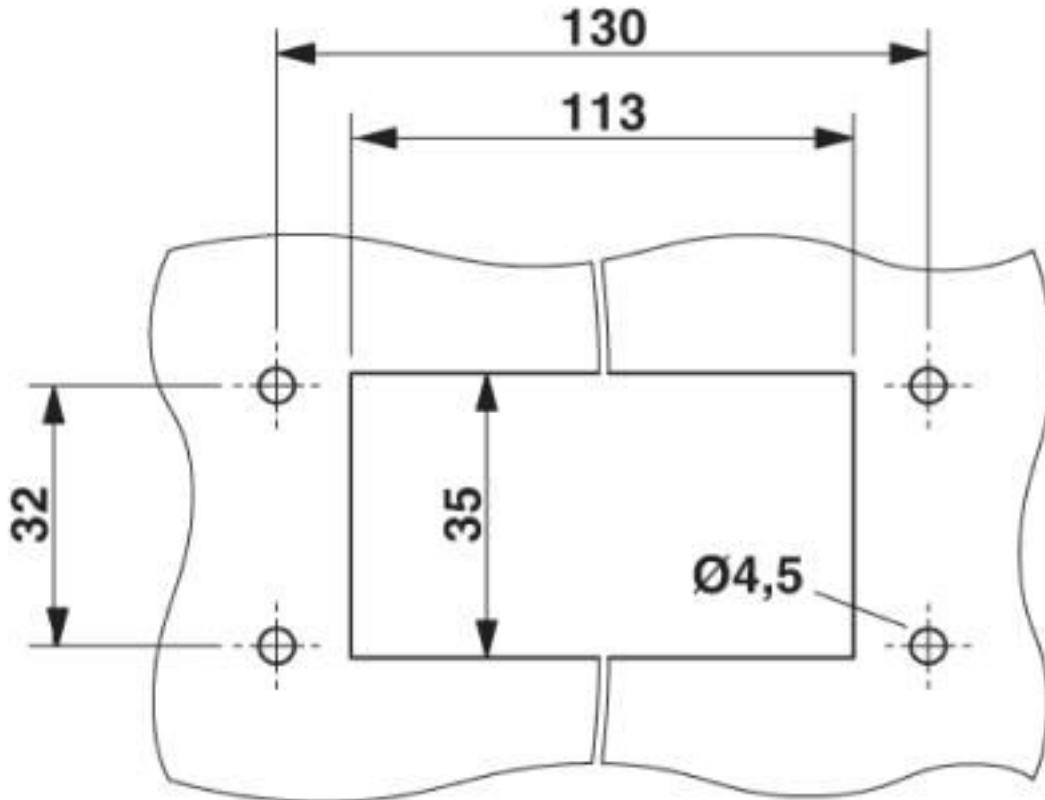
Dimensional drawing



Dimensional drawing

Housing - HC-EVO-B24-BWS-PLRBK - 1407659

Dimensional drawing



Mounting cutout

Classifications

eCl@ss

eCl@ss 10.0.1	27440202
eCl@ss 4.0	27140800
eCl@ss 4.1	27140800
eCl@ss 5.0	27143400
eCl@ss 5.1	27261200
eCl@ss 6.0	27261200
eCl@ss 7.0	27440202
eCl@ss 8.0	27440202
eCl@ss 9.0	27440202

ETIM

ETIM 3.0	EC000437
ETIM 4.0	EC000437
ETIM 5.0	EC000437
ETIM 6.0	EC000437

Housing - HC-EVO-B24-BWS-PLRBK - 1407659

Classifications

ETIM

ETIM 7.0	EC000437
----------	----------

UNSPSC

UNSPSC 6.01	31261502
UNSPSC 7.0901	31261502
UNSPSC 11	31261502
UNSPSC 12.01	31261502
UNSPSC 13.2	31261501
UNSPSC 18.0	31261501
UNSPSC 19.0	31261501
UNSPSC 20.0	31261501
UNSPSC 21.0	31261501

Approvals

Approvals


Approvals


UL Recognized / cUL Recognized / EAC / DNV GL / cULus Recognized

Ex Approvals

Approval details

UL Recognized		http://database.ul.com/cgi-bin/XYV/template/LISEXT/1FRAME/index.htm	E255026
---------------	---	---	---------

cUL Recognized		http://database.ul.com/cgi-bin/XYV/template/LISEXT/1FRAME/index.htm	E255026
----------------	---	---	---------

EAC			RU C- DE.AI30.B.01102
-----	---	--	--------------------------

DNV GL		https://approvalfinder.dnvgl.com/	TAE000037S
--------	---	---	------------

Housing - HC-EVO-B24-BWS-PLRBK - 1407659

Approvals

cULus Recognized



Accessories

Accessories

Device marking

Snap-in markers - US-EMP (20X9) - 0829439



Snap-in markers, Card, white, unlabeled, can be labeled with: BLUEMARK ID COLOR, BLUEMARK ID, THERMOMARK PRIME, THERMOMARK CARD 2.0, THERMOMARK CARD, mounting type: snapped into marker carrier, lettering field size: 20 x 9 mm, Number of individual labels: 70

Housing latches

Single locking latch - HC-B24-SL-PLBK - 1407701



Replacement single locking latch for HEAVYCON EVO housing type B24, PA

Protective cover

Protective covers - HC-B24-BC-HI-PLBK - 1407695



HEAVYCON EVO hinged protective cover, size B24, for EVO plastic supporting base element, IP65, PA

Seal

Profile gasket - HC-B24-SP-RBK - 1407709



Profile gasket for HEAVYCON EVO supporting base element type B24

Housing - HC-EVO-B24-BWS-PLRBK - 1407659

Accessories

Flat gasket - HC-B24-SG-RBK - 1407705



Replacement flat gasket, for HEAVYCON EVO panel mounting base type B24

Phoenix Contact 2020 © - all rights reserved
<http://www.phoenixcontact.com>

PHOENIX CONTACT GmbH & Co. KG
Flachsmarktstr. 8
32825 Blomberg
Germany
Tel. +49 5235 300
Fax +49 5235 3 41200
<http://www.phoenixcontact.com>

X-ON Electronics

Largest Supplier of Electrical and Electronic Components

Click to view similar products for [Heavy Duty Power Connectors](#) category:

Click to view products by [Phoenix Contact](#) manufacturer:

Other Similar products are found below :

[647757-1](#) [6643411-1](#) [6646058-2](#) [6646137-1](#) [6646138-1](#) [6646479-1](#) [6646608-1](#) [6646786-1](#) [6646940-1](#) [6651091-1](#) [6651525-1](#) [6651529-1](#)
[6651788-1](#) [696475-1](#) [702-32-01109](#) [703-25-02205](#) [73000005059](#) [73000005642](#) [765-15-0080A](#) [765-16-0080B](#) [765-18-0080D](#) [829992-1](#)
[902-77-02113](#) [PS00/A0620/6300](#) [129-1J](#) [1409400](#) [AN0024023](#) [E6374G1](#) [e6389g2](#) [157-43GW8](#) [MS3117-14AC](#) [1643543-1](#) [1650540-1](#)
[1651811-2](#) [1766260-1](#) [1766282-1](#) [1766966-1](#) [1791340000](#) [NLDFT-3-BL-L-S120-M40A](#) [NLDFT-N-W-L-C240-M40B](#) [NLS-2-R-C240-](#)
[M40B](#) [NLS-N-W-C240-M40B](#) [NPS-3-BL-T6](#) [1986615-1](#) [2-1589900-8](#) [2199314-1](#) [KA8102](#) [9300480317](#) [SBS50BRN#6](#) [29131](#)