

Cable gland - HC-B-G-M40-PLRBK - 1407672


Please be informed that the data shown in this PDF Document is generated from our Online Catalog. Please find the complete data in the user's documentation. Our General Terms of Use for Downloads are valid (<http://phoenixcontact.com/download>)



EVO plastic cable gland with bayonet locking, for housing series B, size M40, cable diameter: 19 ... 28 mm



Key Commercial Data

Packing unit	1 pc
GTIN	 4 046356 776400
GTIN	4046356776400

Technical data

Dimensions

Wrench size, union nut	36 mm
External cable diameter	19 mm ... 28 mm

Ambient conditions

Degree of protection (IP)	IP66
Degree of protection (NEMA)	12 (UL 50e)
Ambient temperature (operation)	-40 °C ... 100 °C

General

Type of the screw connection	M40
No. of conductors	1
Material	PA
Cable gland material	PA
Material, pressure screw	PA-GF
Seal material	NBR
Cable seal material	NBR
Sealing material	NBR (O-ring)
Flammability rating according to UL 94	V0 / V2
Shielded	no

Cable gland - HC-B-G-M40-PLRBK - 1407672

Technical data

General

Tightening torque, union nut	7.50 Nm
Color	black
Assembly instructions	Bayonet locking max. 3x can be removed

Standards and Regulations

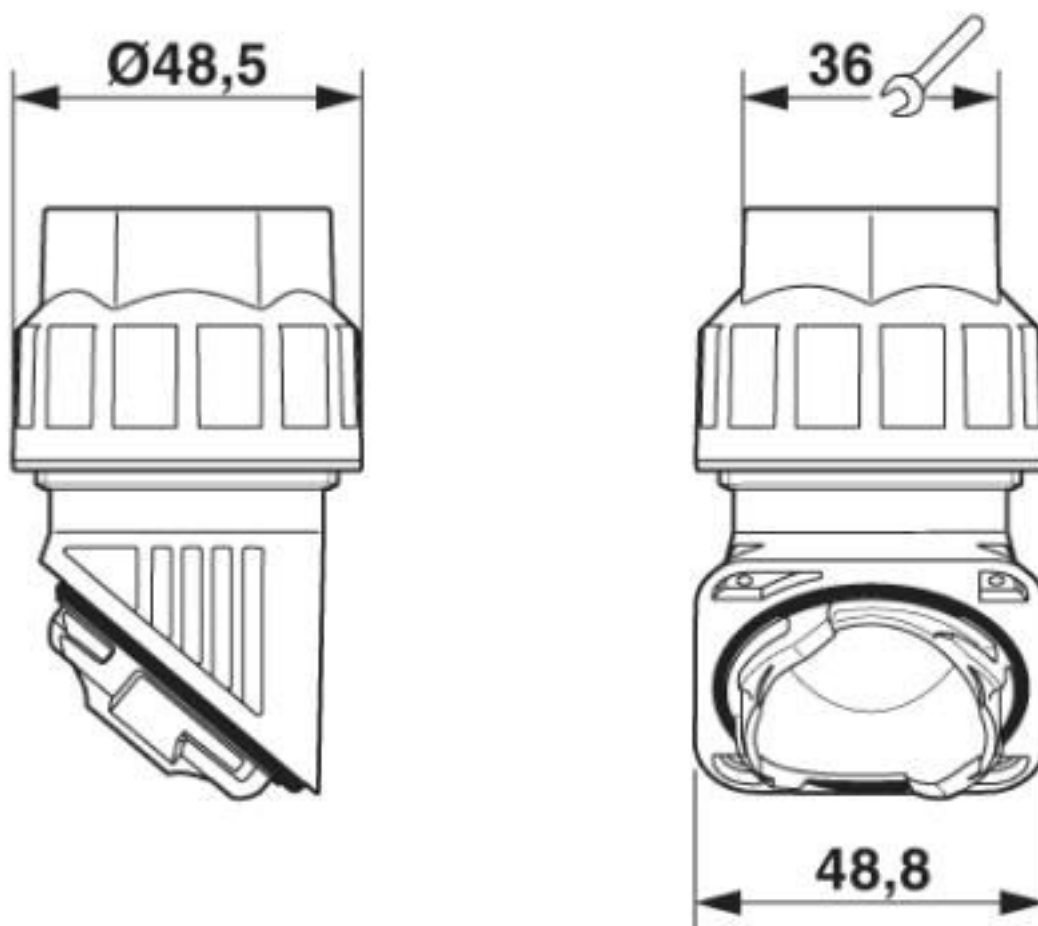
Flammability rating according to UL 94	V0 / V2
--	---------

Environmental Product Compliance

China RoHS	Environmentally friendly use period: unlimited = EFUP-e
	No hazardous substances above threshold values

Drawings

Dimensional drawing



Dimensional drawing

Cable gland - HC-B-G-M40-PLRBK - 1407672

Classifications

eCl@ss

eCl@ss 10.0.1	27144432
eCl@ss 4.0	27140800
eCl@ss 4.1	27140800
eCl@ss 5.0	27149100
eCl@ss 5.1	27143400
eCl@ss 6.0	27149100
eCl@ss 7.0	27149109
eCl@ss 8.0	27149109
eCl@ss 9.0	27144432

ETIM

ETIM 3.0	EC000441
ETIM 4.0	EC000441
ETIM 5.0	EC000441
ETIM 6.0	EC000441
ETIM 7.0	EC000441

UNSPSC

UNSPSC 6.01	31261502
UNSPSC 7.0901	31261502
UNSPSC 11	31261502
UNSPSC 12.01	31261502
UNSPSC 13.2	39121311
UNSPSC 18.0	39121311
UNSPSC 19.0	39121311
UNSPSC 20.0	39121311
UNSPSC 21.0	39121311

Approvals

Approvals

Approvals

UL Recognized / cUL Recognized / DNV GL / EAC-RoHS / EAC / cULus Recognized

Ex Approvals

Approval details

Cable gland - HC-B-G-M40-PLRBK - 1407672

Approvals

UL Recognized		http://database.ul.com/cgi-bin/XYV/template/LISEXT/1FRAME/index.htm	E255026
cUL Recognized		http://database.ul.com/cgi-bin/XYV/template/LISEXT/1FRAME/index.htm	E255026
DNV GL		https://approvalfinder.dnvgl.com/	TAE000037S
EAC-RoHS			RU D-DE.HB35.B.00387
EAC			RU C-DE.AI30.B.01102
cULus Recognized			

Accessories

Accessories

Corrugated pipe screw connection

Corrugated tube screw connection - WP-GR HF CTA M40 BK - 3241223



Corrugated pipe adapter, with M40 internal thread, straight, black, IP66, for connecting corrugated pipes to HEAVYCON EVO plastic cable glands or ADVANCE plastic housings.

Sealing plugs

Cable gland - HC-B-G-M40-PLRBK - 1407672

Accessories

Closing cap - SEALING PLUG 25X30 RD - 1421863



Closing cap, material: PA, color: red

Phoenix Contact 2020 © - all rights reserved
<http://www.phoenixcontact.com>

PHOENIX CONTACT GmbH & Co. KG
Flachsmarktstr. 8
32825 Blomberg
Germany
Tel. +49 5235 300
Fax +49 5235 3 41200
<http://www.phoenixcontact.com>

X-ON Electronics

Largest Supplier of Electrical and Electronic Components

Click to view similar products for [Heavy Duty Power Connectors](#) category:

Click to view products by [Phoenix Contact](#) manufacturer:

Other Similar products are found below :

[647757-1](#) [6643411-1](#) [6646058-2](#) [6646137-1](#) [6646138-1](#) [6646479-1](#) [6646608-1](#) [6646786-1](#) [6646940-1](#) [6651091-1](#) [6651525-1](#) [6651529-1](#)
[6651788-1](#) [696475-1](#) [702-32-01109](#) [703-25-02205](#) [73000005059](#) [73000005642](#) [73080255059](#) [73080965046](#) [765-15-0080A](#) [765-16-0080B](#)
[765-18-0080D](#) [829992-1](#) [902-77-02113](#) [PS00/A0620/6300](#) [PS25/A0420/63](#) [129-1J](#) [1409400](#) [AN0024023](#) [E6374G1](#) [e6389g2](#) [157-43GW8](#)
[MS3117-14AC](#) [1643543-1](#) [1650540-1](#) [1651811-2](#) [1766260-1](#) [1766282-1](#) [1766966-1](#) [1791340000](#) [NLDFT-3-BL-L-S120-M40A](#) [NLDFT-N-](#)
[W-L-C240-M40B](#) [NLS-2-R-C240-M40B](#) [NLS-N-W-C240-M40B](#) [NPS-3-BL-T6](#) [1986615-1](#) [2-1589900-8](#) [2199314-1](#) [KA8102](#)