

Protective covers - HC-B24-BC-HI-PLBK - 1407695

Please be informed that the data shown in this PDF Document is generated from our Online Catalog. Please find the complete data in the user's documentation. Our General Terms of Use for Downloads are valid (<http://phoenixcontact.com/download>)

HEAVYCON EVO hinged protective cover, size B24, for EVO plastic supporting base element, IP65, PA




Product Description

Plastic protective cover for HC-EVO... consisting of plastic protective cover, flange, self-tapping screw for plastic



Key Commercial Data

| | |
|--------------|---|
| Packing unit | 1 pc |
| GTIN |  4 046356 776806 |
| GTIN | 4046356776806 |

Technical data

Dimensions

| | |
|--------|--------|
| Length | 124 mm |
| Width | 47 mm |
| Height | 19 mm |

Ambient conditions

| | |
|---------------------------------|-------------------|
| Degree of protection (IP) | IP65 |
| | IP66 |
| Ambient temperature (operation) | -20 °C ... 100 °C |

General

| | |
|--|---|
| Size | B24 |
| Type | for supporting base element with single locking latch |
| Material | PA |
| Flammability rating according to UL 94 | V0 |
| Color | black |
| Seal present | no |
| Assembly instructions | For HC-EVO.....PLBK |

Protective covers - HC-B24-BC-HI-PLBK - 1407695

Technical data

Standards and Regulations

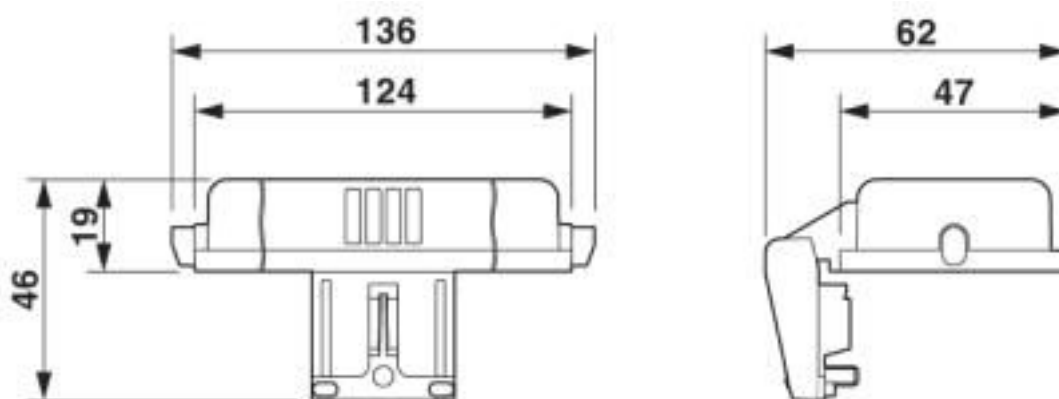
| | |
|--|----|
| Flammability rating according to UL 94 | V0 |
|--|----|

Environmental Product Compliance

| | |
|------------|---|
| China RoHS | Environmentally friendly use period: unlimited = EFUP-e |
| | No hazardous substances above threshold values |

Drawings

Dimensional drawing



Dimensional drawing

Classifications

eCl@ss

| | |
|---------------|----------|
| eCl@ss 10.0.1 | 27440208 |
| eCl@ss 4.0 | 27141200 |
| eCl@ss 4.1 | 27141200 |
| eCl@ss 5.0 | 27149100 |
| eCl@ss 5.1 | 27149100 |
| eCl@ss 6.0 | 27261200 |
| eCl@ss 7.0 | 27440208 |
| eCl@ss 8.0 | 27440208 |
| eCl@ss 9.0 | 27440208 |

ETIM

| | |
|----------|----------|
| ETIM 2.0 | EC000241 |
| ETIM 3.0 | EC002040 |
| ETIM 4.0 | EC002314 |
| ETIM 5.0 | EC002314 |
| ETIM 6.0 | EC002314 |
| ETIM 7.0 | EC002314 |

Protective covers - HC-B24-BC-HI-PLBK - 1407695

Classifications

UNSPSC

| | |
|---------------|----------|
| UNSPSC 6.01 | 30212113 |
| UNSPSC 7.0901 | 39121712 |
| UNSPSC 11 | 39121712 |
| UNSPSC 12.01 | 39121712 |
| UNSPSC 13.2 | 39121421 |
| UNSPSC 18.0 | 39121421 |
| UNSPSC 19.0 | 39121421 |
| UNSPSC 20.0 | 39121421 |
| UNSPSC 21.0 | 39121421 |

Approvals

Approvals

Approvals

EAC

Ex Approvals

Approval details

| | | |
|-----|---|--------------------------|
| EAC |  | RU C- DE.AI30.B.01102 |
|-----|---|--------------------------|

Phoenix Contact 2020 © - all rights reserved
<http://www.phoenixcontact.com>

PHOENIX CONTACT GmbH & Co. KG
Flachsmarktstr. 8
32825 Blomberg
Germany
Tel. +49 5235 300
Fax +49 5235 3 41200
<http://www.phoenixcontact.com>

X-ON Electronics

Largest Supplier of Electrical and Electronic Components

Click to view similar products for [Heavy Duty Power Connectors](#) category:

Click to view products by [Phoenix Contact](#) manufacturer:

Other Similar products are found below :

[647757-1](#) [6643411-1](#) [6646058-2](#) [6646137-1](#) [6646138-1](#) [6646479-1](#) [6646608-1](#) [6646786-1](#) [6646940-1](#) [6651091-1](#) [6651525-1](#) [6651529-1](#)
[6651788-1](#) [696475-1](#) [702-32-01109](#) [703-25-02205](#) [73000005059](#) [73000005642](#) [73080965046](#) [765-15-0080A](#) [765-16-0080B](#) [765-18-0080D](#)
[829992-1](#) [902-77-02113](#) [PS00/A0620/6300](#) [129-1J](#) [1409400](#) [AN0024023](#) [E6374G1](#) [e6389g2](#) [157-43GW8](#) [MS3117-14AC](#) [1643543-1](#)
[1650540-1](#) [1651811-2](#) [1766260-1](#) [1766282-1](#) [1766966-1](#) [1791340000](#) [NLDFT-3-BL-L-S120-M40A](#) [NLDFT-N-W-L-C240-M40B](#) [NLS-2-R-](#)
[C240-M40B](#) [NLS-N-W-C240-M40B](#) [NPS-3-BL-T6](#) [1986615-1](#) [2-1589900-8](#) [2199314-1](#) [KA8102](#) [9300480317](#) [SBS50BRN#6](#)