

## Patch cable - NBC-R4AC/5,0-93B/R4AC - 1408970

Please be informed that the data shown in this PDF Document is generated from our Online Catalog. Please find the complete data in the user's documentation. Our General Terms of Use for Downloads are valid (<http://phoenixcontact.com/download>)




PROFINET patch cable, shielded, star quad, 22 AWG stranded (7-wire), green, straight RJ45 plug/IP20 to straight RJ45 plug/IP20, length: 5 m

PROFINET patch cable



### Key Commercial Data

Packing unit	1 pc
GTIN	 4 046356 856997
GTIN	4046356856997

### Technical data

#### Dimensions

Length of cable	5.00 m
-----------------	--------

#### Ambient conditions

Degree of protection	IP20 (RJ45 connector)
Ambient temperature (operation)	-25 °C ... 80 °C (RJ45 connector)

#### General data

Rated current at 40°C	1 A
Rated voltage	48 V
Number of positions	4
Overvoltage category	I
Degree of pollution	1
Alternative short product description	PROFINET cable
Rated voltage (III/3)	72 V (DC)
Contact material	CuSn
Contact surface material	Ni/Au
Housing material	PA 6.6
Degree of protection	IP20

# Patch cable - NBC-R4AC/5,0-93B/R4AC - 1408970

## Technical data

### General data

Number of slots	1
Rated current	1.75 A
Transmission characteristics (category)	CAT5

### Characteristics head 1

Color	black
Material (component)	CuSn (Contact)
	Ni/Au (Contact surface)
	PA (Contact carriers)
	PA (Housing)
Insertion/withdrawal cycles	≥ 750
Ambient temperature (operation)	-25 °C ... 80 °C
Shielded	yes
Outer sheath, material	PVC
External sheath, color	green RAL 6018

### Characteristics head 2

Color	black
Material (component)	CuSn (Contact)
	Ni/Au (Contact surface)
	PA (Contact carriers)
	PA (Housing)
Insertion/withdrawal cycles	≥ 750
Ambient temperature (operation)	-25 °C ... 80 °C

### Standards and Regulations

Flammability rating according to UL 94	V2
--	----

### Cable

Cable type	PROFINET PVC stranded CAT5
Cable type (abbreviation)	93B
Signal type/category	PROFINET CAT5 (IEC 11801:2002), 100 Mbps
Cable structure	1x4xAWG22/7; SF/TQ
Conductor cross section	4x 0.34 mm <sup>2</sup>
AWG signal line	22
Conductor structure signal line	7x 0.25 mm
Core diameter including insulation	approx. 1.5 mm
Wire colors	White, yellow, blue, orange
External sheath, color	green RAL 6018
External cable diameter D	6.5 mm
Smallest bending radius, fixed installation	60 mm
Smallest bending radius, movable installation	30 mm
Outer sheath, material	PVC

## Patch cable - NBC-R4AC/5,0-93B/R4AC - 1408970

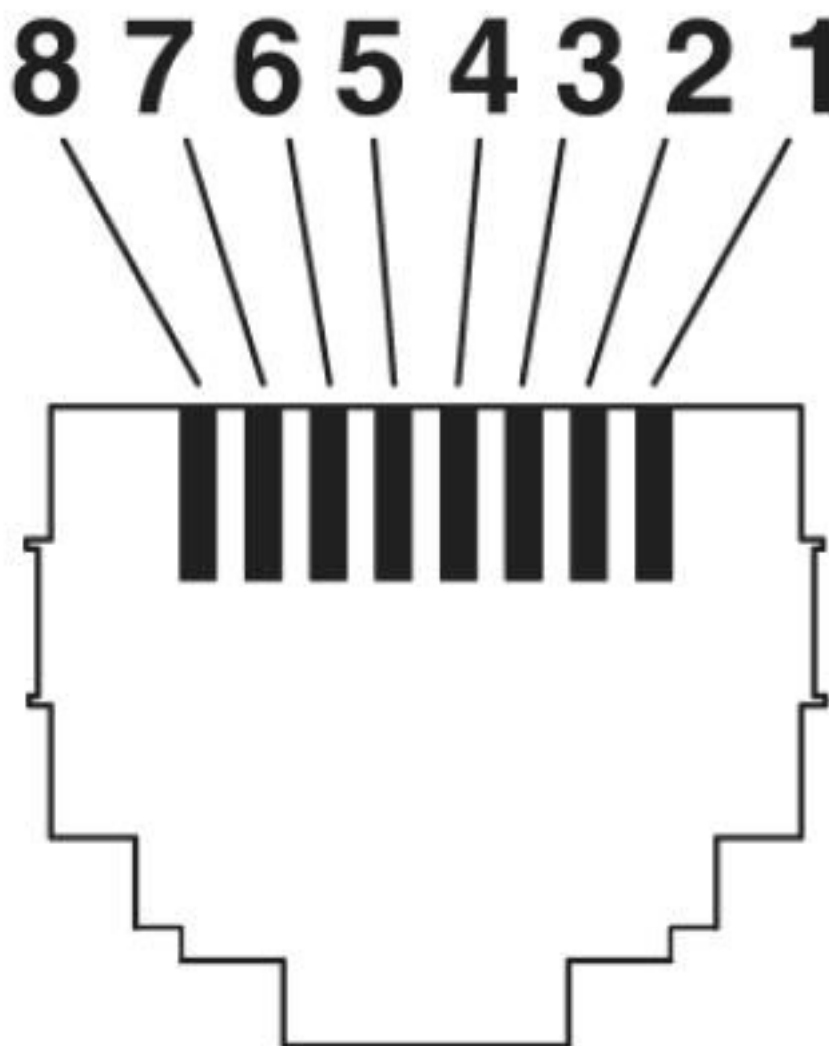
### Technical data

#### Cable

Conductor material	Tin-plated Cu litz wires
Wave impedance	100 $\Omega$ $\pm$ 15 $\Omega$ (at 1 ... 100 MHz)

### Drawings

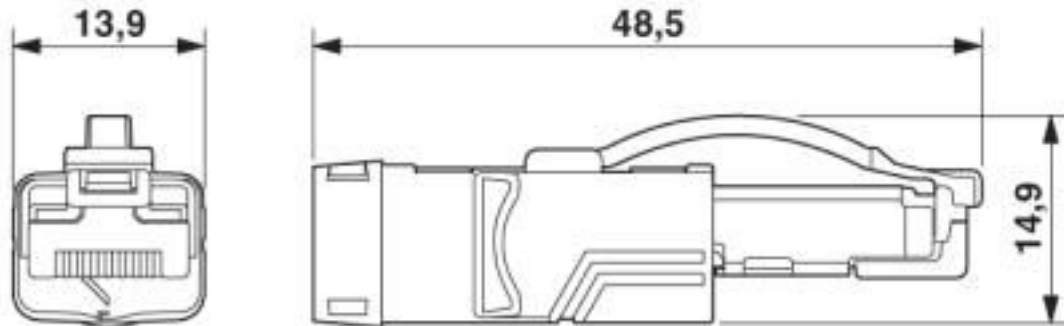
Schematic diagram



Connector pin assignment plug RJ45

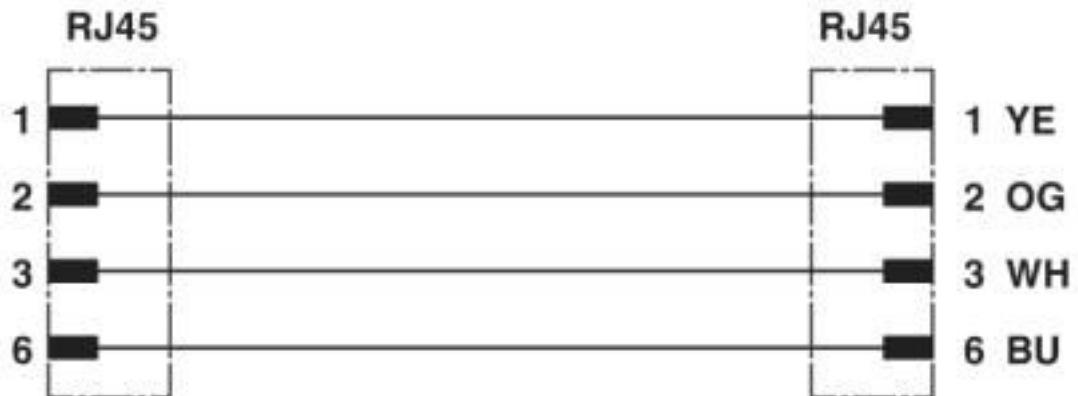
# Patch cable - NBC-R4AC/5,0-93B/R4AC - 1408970

Dimensional drawing



RJ45 connector, IP20

Circuit diagram



Contact assignment of RJ45 plugs

## Patch cable - NBC-R4AC/5,0-93B/R4AC - 1408970

Cable cross section



PROFINET PVC stranded CAT5 [93B]

### Classifications

eCl@ss

eCl@ss 10.0.1	27060308
eCl@ss 4.0	24010400
eCl@ss 4.1	24010400
eCl@ss 5.0	19030300
eCl@ss 5.1	19030300
eCl@ss 6.0	27061800
eCl@ss 7.0	27060308
eCl@ss 8.0	27060308
eCl@ss 9.0	27060308

## Patch cable - NBC-R4AC/5,0-93B/R4AC - 1408970

### Classifications

#### ETIM

ETIM 4.0	EC002599
ETIM 5.0	EC002599
ETIM 6.0	EC001262
ETIM 7.0	EC001262

#### UNSPSC

UNSPSC 6.01	26121616
UNSPSC 7.0901	26121616
UNSPSC 11	26121604
UNSPSC 12.01	31261501
UNSPSC 13.2	26121604
UNSPSC 18.0	26121604
UNSPSC 19.0	26121604
UNSPSC 20.0	26121604
UNSPSC 21.0	26121604

### Approvals

#### Approvals

---

Approvals


EAC

---

Ex Approvals

---

#### Approval details

EAC		19060508
-----	---	----------

---

Phoenix Contact 2020 © - all rights reserved  
<http://www.phoenixcontact.com>

PHOENIX CONTACT GmbH & Co. KG  
Flachsmarktstr. 8  
32825 Blomberg  
Germany  
Tel. +49 5235 300  
Fax +49 5235 3 41200  
<http://www.phoenixcontact.com>

## X-ON Electronics

Largest Supplier of Electrical and Electronic Components

*Click to view similar products for [Ethernet Cables / Networking Cables](#) category:*

*Click to view products by [Phoenix Contact](#) manufacturer:*

Other Similar products are found below :

[73-6670-7](#) [73-6680-15](#) [73-7797-25](#) [MCJB2-10P6Q7-120](#) [84909-0204](#) [1200700174](#) [1200860368](#) [E16A06002M030](#) [E200102-009-S1](#)  
[AX105346-EW](#) [MT14-187L](#) [17-103530](#) [ERWPAB3002M005](#) [190-038045-01](#) [NK5EPC18RDY](#) [NK5EPC18VLY](#) [NK5EPC18YLY](#)  
[NK5EPC1GRY](#) [NK5EPC4Y](#) [NK5EPC6YLY](#) [NK5EPC8BLY](#) [NK5EPC9YLY](#) [1969343-6](#) [C501100010](#) [C501106002](#) [C501106007](#)  
[C501106015](#) [C501106025](#) [C601102010](#) [C601104010](#) [C601106007](#) [C601106015](#) [2142758-2](#) [2168427-2](#) [CAT1106007](#) [21949-1](#) [2J1866A](#)  
[RJF SFTP 5E 0500](#) [AX100351](#) [MN14CEC/ST](#) [C501100015](#) [C501106004](#) [C501106010](#) [C5F1108007](#) [C601104004](#) [C601106004](#)  
[CA21106004](#) [CA21106010](#) [CA21106015](#) [CA21109007](#)