

Network cable - NBC-MSD/10,0-93E/R4AC SCO US - 1409861


Please be informed that the data shown in this PDF Document is generated from our Online Catalog. Please find the complete data in the user's documentation. Our General Terms of Use for Downloads are valid (<http://phoenixcontact.com/download>)



Network cable, Ethernet CAT5 (100 Mbps), 4-position, PUR halogen-free, water blue RAL 5021, shielded, Plug straight M12 / IP67, coding: D, on Plug straight RJ45 / IP20, cable length: 10 m



Key Commercial Data

| | |
|------------------------|---|
| Packing unit | 1 pc |
| Minimum order quantity | 50 pc |
| GTIN |  4 046356 993012 |
| GTIN | 4046356993012 |

Technical data

Dimensions

| | |
|-----------------|------|
| Length of cable | 10 m |
|-----------------|------|

Ambient conditions

| | |
|---------------------------------|-----------------------------------|
| Degree of protection | IP65 (M12 connector) |
| | IP67 (M12 connector) |
| | IP20 (RJ45 connector) |
| Ambient temperature (operation) | -25 °C ... 85 °C (M12 connector) |
| | -25 °C ... 60 °C (RJ45 connector) |

General data

| | |
|--------------------------|-------------------------------|
| Rated current at 40°C | 1 A |
| Rated voltage | 48 V AC |
| | 60 V DC |
| Number of positions | 4 |
| Signal type/category | Ethernet CAT5, 100 Mbps |
| Standards/regulations | M12 connector IEC 61076-2-101 |
| Contact material | CuSn |
| Contact carrier material | TPU GF |

Network cable - NBC-MSD/10,0-93E/R4AC SCO US - 1409861

Technical data

General data

| | |
|---|-----------|
| Contact surface material | Ni/Au |
| Housing material | Plastic |
| Degree of protection | IP67/IP20 |
| Transmission characteristics (category) | CAT5 |

Characteristics head 1

| | |
|------------------------|--------------------------|
| Head type | Plug straight M12 / IP67 |
| Coding | D (Data) |
| Shielded | yes |
| Outer sheath, material | PUR |
| External sheath, color | water blue RAL 5021 |
| Type type, plug side | Plug straight |
| Type type, socket side | Plug, straight |

Characteristics head 2

| | |
|-----------|---------------------------|
| Head type | Plug straight RJ45 / IP20 |
|-----------|---------------------------|

Standards and Regulations

| | |
|--------------------------|-------------------------------|
| Standards/specifications | M12 connector IEC 61076-2-101 |
|--------------------------|-------------------------------|

Cable

| | |
|---|--|
| Cable type | Ethernet flexible CAT5, 2-pair |
| Cable type (abbreviation) | 93E |
| UL AWM style | 20963 (80°C/30 V) |
| Signal type/category | Ethernet CAT5 (IEC 11801), 100 Mbps |
| Cable structure | 2x2xAWG26/7; SF/UTP |
| Conductor cross section | 2x 2x 0.14 mm ² |
| AWG signal line | 26 |
| Conductor structure signal line | 7x 0.16 mm |
| Core diameter including insulation | 0.98 mm |
| Wire colors | white/orange-orange, white/green-green |
| Twisted pairs | 2 cores to the pair |
| Overall twist | Two pairs with two fillers to the core |
| Shielding | Aluminum-coated foil, tinned copper braided shield |
| Optical shield covering | 70 % |
| External sheath, color | water blue RAL 5021 |
| Outer sheath thickness | 1.2 mm |
| External cable diameter D | 6.4 mm ±0.2 mm |
| Minimum bending radius, fixed installation | 4 x D |
| Minimum bending radius, flexible installation | 8 x D |
| Tensile strength GRP | ≤ 80 N |
| Cable weight | 42 kg/km |
| Outer sheath, material | PUR |

Network cable - NBC-MSD/10,0-93E/R4AC SCO US - 1409861

Technical data

Cable

| | | |
|---------------------------------------|--|----------------------|
| Material conductor insulation | Foamed PE | |
| Conductor material | Bare Cu litz wires | |
| Standards/specifications | Electrical requirements EN 50288-2-2 | |
| Insulation resistance | ≥ 500 MΩ*km | |
| Loop resistance | ≤ 290.00 Ω/km | |
| Cable capacity | approx. 45 nF/km (at 1 kHz) | |
| Wave impedance | 100 Ω ±5 Ω (at 100 MHz) | |
| Near end crosstalk attenuation (NEXT) | 65.3 dB (with 1 MHz) | |
| | 56.3 dB (at 4 MHz) | |
| | 50.3 dB (at 10 MHz) | |
| | 47.2 dB (at 16 MHz) | |
| | 45.8 dB (at 20 MHz) | |
| | 42.9 dB (at 31.25 MHz) | |
| | 38.4 dB (at 62.5 MHz) | |
| | 35.3 dB (at 100 MHz) | |
| | Power-summated near end crosstalk attenuation (PSNEXT) | 62.3 dB (with 1 MHz) |
| | | 53.3 dB (at 4 MHz) |
| 47.3 dB (at 10 MHz) | | |
| 44.2 dB (at 16 MHz) | | |
| 42.8 dB (at 20 MHz) | | |
| 39.9 dB (at 31.25 MHz) | | |
| 35.4 dB (at 62.5 MHz) | | |
| 32.3 dB (at 100 MHz) | | |
| Attenuation | 3.2 dB (with 1 MHz) | |
| | 6 dB (at 4 MHz) | |
| | 9.5 dB (at 10 MHz) | |
| | 12.1 dB (at 16 MHz) | |
| | 13.6 dB (at 20 MHz) | |
| | 17.1 dB (at 31.25 MHz) | |
| | 24.8 dB (at 62.5 MHz) | |
| | 32 dB (at 100 MHz) | |
| Return loss (RL) | 23 dB (at 4 MHz) | |
| | 24.1 dB (at 8 MHz) | |
| | 25 dB (at 10 MHz) | |
| | 25 dB (at 16 MHz) | |
| | 25 dB (at 20 MHz) | |
| | 23.6 dB (at 31.25 MHz) | |
| | 21.5 dB (at 62.5 MHz) | |
| | 20.1 dB (at 100 MHz) | |
| Signal runtime | 5.3 ns/m | |

Network cable - NBC-MSD/10,0-93E/R4AC SCO US - 1409861

Technical data

Cable

| | |
|---|---|
| Coupling resistance | ≤ 100.00 mΩ/m (at 10 MHz) |
| Nominal voltage, cable | ≤ 100 V (Peak value, not for high-power applications) |
| Test voltage Core/Core | 700 V (50 Hz, 1 min.) |
| Test voltage Core/Shield | 700 V (50 Hz, 1 min.) |
| Current carrying capacity of cable | 2 A (according to DIN VDE 0891-1) |
| Flame resistance | according to IEC 60332-1-2 |
| | in acc. to UL VW1 |
| Halogen-free | according to IEC 60754-1 |
| Resistance to oil | according to EN 60811-2-1 |
| Ambient temperature (operation) | -40 °C ... 80 °C (cable, fixed installation) |
| | -20 °C ... 80 °C (cable, flexible installation) |
| Ambient temperature (installation) | -20 °C ... 80 °C |
| Ambient temperature (storage/transport) | -20 °C ... 80 °C |

Environmental Product Compliance

| | |
|------------|---|
| REACH SVHC | Lead 7439-92-1 |
| China RoHS | Environmentally Friendly Use Period = 50 years |
| | For details about hazardous substances go to tab "Downloads", Category "Manufacturer's declaration" |

Drawings

Network cable - NBC-MSD/10,0-93E/R4AC SCO US - 1409861

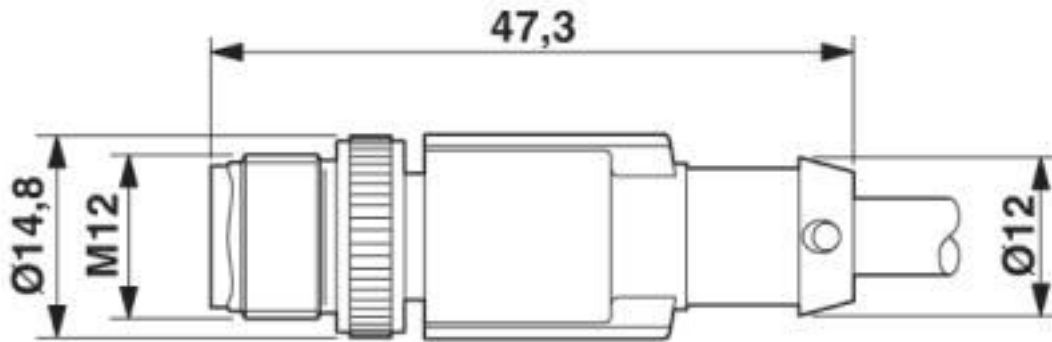
Schematic diagram



Connector pin assignment plug RJ45

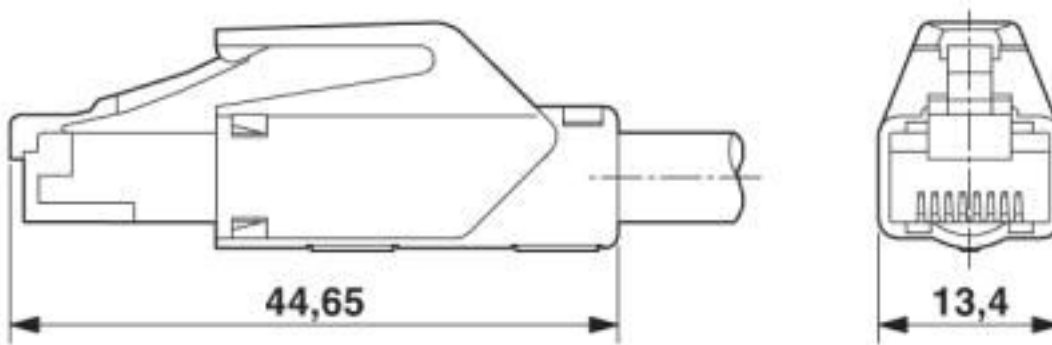
Network cable - NBC-MSD/10,0-93E/R4AC SCO US - 1409861

Dimensional drawing



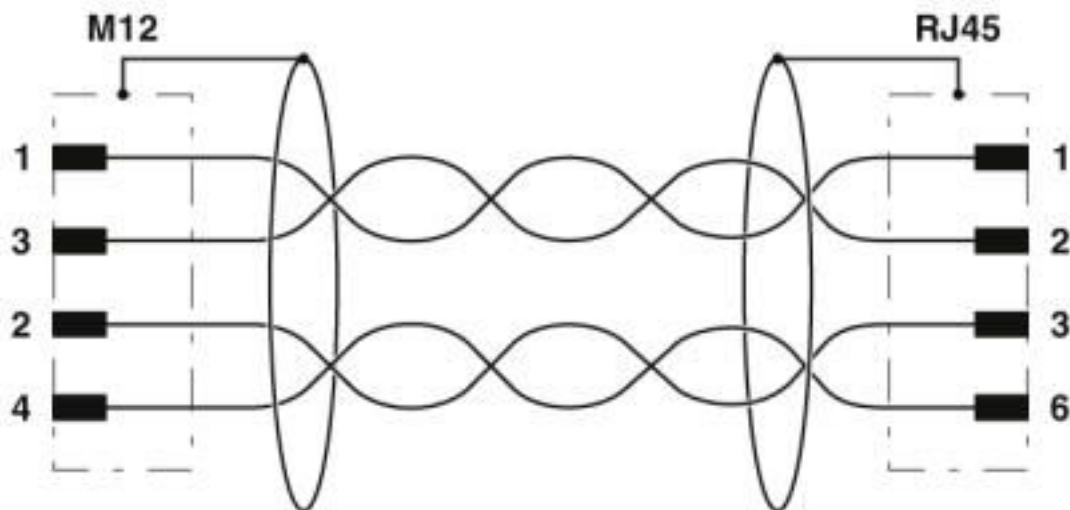
Plug, M12 x 1, straight, shielded

Dimensional drawing



RJ45 connector, IP20

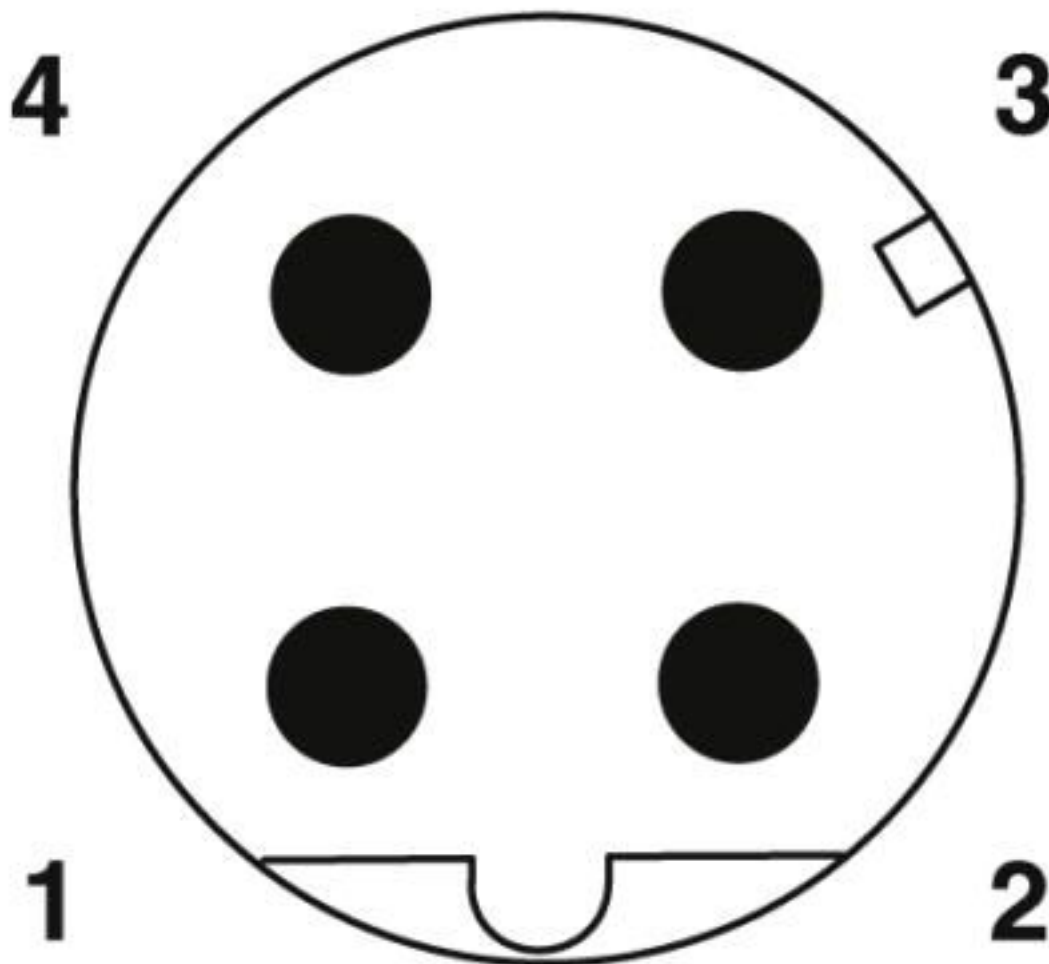
Circuit diagram



Contact assignment of the M12 and RJ45 plug

Network cable - NBC-MSD/10,0-93E/R4AC SCO US - 1409861

Schematic diagram



Pin assignment M12 male connector, 4-pos., D-coded, male side

Network cable - NBC-MSD/10,0-93E/R4AC SCO US - 1409861

Cable cross section



Ethernet flexible CAT5, 2-pair [93E]

Classifications

eCl@ss

| | |
|---------------|----------|
| eCl@ss 10.0.1 | 27060308 |
| eCl@ss 4.0 | 24010400 |
| eCl@ss 4.1 | 24010400 |
| eCl@ss 5.0 | 19030300 |
| eCl@ss 5.1 | 19030300 |
| eCl@ss 6.0 | 27061800 |
| eCl@ss 7.0 | 27061801 |
| eCl@ss 8.0 | 27061801 |
| eCl@ss 9.0 | 27060308 |

Network cable - NBC-MSD/10,0-93E/R4AC SCO US - 1409861

Classifications

ETIM

| | |
|----------|----------|
| ETIM 4.0 | EC002586 |
| ETIM 5.0 | EC002599 |
| ETIM 6.0 | EC000830 |
| ETIM 7.0 | EC003249 |

UNSPSC

| | |
|-------------|----------|
| UNSPSC 13.2 | 26121604 |
| UNSPSC 18.0 | 26121604 |
| UNSPSC 19.0 | 26121604 |
| UNSPSC 20.0 | 26121604 |
| UNSPSC 21.0 | 26121604 |

Approvals


Approvals

Approvals

UL Listed / EAC-RoHS

Ex Approvals

Approval details

| | | | |
|--------------------|---|---|---------------|
| UL Listed |  | http://database.ul.com/cgi-bin/XYV/template/LISEXT/1FRAME/index.htm | FILE E 335024 |
| Nominal voltage UN | 30 V | | |
| Nominal current IN | 0.5 A | | |

| | | |
|----------|---|--------------------------|
| EAC-RoHS |  | RU D- DE.HB35.B.00387 |
|----------|---|--------------------------|

Phoenix Contact 2020 © - all rights reserved
<http://www.phoenixcontact.com>

PHOENIX CONTACT GmbH & Co. KG
Flachmarktstr. 8
32825 Blomberg
Germany
Tel. +49 5235 300
Fax +49 5235 3 41200
<http://www.phoenixcontact.com>

X-ON Electronics

Largest Supplier of Electrical and Electronic Components

Click to view similar products for [Ethernet Cables / Networking Cables](#) category:

Click to view products by [Phoenix Contact](#) manufacturer:

Other Similar products are found below :

[73-6670-7](#) [73-6680-15](#) [73-7797-25](#) [MCJB2-10P6Q7-120](#) [84909-0204](#) [1200700174](#) [1200860368](#) [E16A06002M030](#) [E200102-009-S1](#)
[AX105346-EW](#) [MT14-187L](#) [17-103530](#) [ERWPAB3002M005](#) [190-038045-01](#) [NK5EPC18RDY](#) [NK5EPC18VLY](#) [NK5EPC18YLY](#)
[NK5EPC1GRY](#) [NK5EPC4Y](#) [NK5EPC6YLY](#) [NK5EPC8BLY](#) [NK5EPC9YLY](#) [1969343-6](#) [C501100010](#) [C501106002](#) [C501106007](#)
[C501106015](#) [C501106025](#) [C601102010](#) [C601104010](#) [C601106007](#) [C601106015](#) [2142758-2](#) [2168427-2](#) [CAT1106007](#) [21949-1](#) [2J1866A](#)
[RJF SFTP 5E 0500](#) [AX100351](#) [MN14CEC/ST](#) [C501100015](#) [C501106004](#) [C501106010](#) [C5F1108007](#) [C601104004](#) [C601106004](#)
[CA21106004](#) [CA21106010](#) [CA21106015](#) [CA21109007](#)