

Panel feed-through - QPD W 4PE6,0 M25 0,5 BK - 1410396

Please be informed that the data shown in this PDF Document is generated from our Online Catalog. Please find the complete data in the user's documentation. Our General Terms of Use for Downloads are valid (<http://phoenixcontact.com/download>)




QUICKON panel feed-through, 4+PE-pos., 2.5 mm² ... 6.0 mm²/690 V/40 A, without QUICKON nut, black, M25 connection thread with 5 welded-on 6.0 mm² cable wires, 0.5 m long, cut flat at the end.

Your advantages

- ✓ Innovative and time saving - QUICKON fast connection for time saving of up to 80 % for on-site connection
- ✓ Convenient: quick and easy assembly without special tools
- ✓ Robust throughout: housing with IP68/IP69K and IK07 protection for a wide range of applications
- ✓ Safer connection thanks to polarization against mismatching and touch-proof protection according to DIN EN 0105
- ✓ Efficient - by using panel feed-throughs, devices no longer need to be opened in order to connect cables

Key Commercial Data

Packing unit	1 pc
GTIN	 4 046356 929356
GTIN	4046356929356

Technical data

General

Type	QPD 5x6,0
Length of cable	0.5 m
Color	black
Locking type	Screw locking
Connection method	QUICKON connection IDC connection
Number of positions	5
Note number of positions	4+PE
Wrench size, union nut	30 mm
Tightening torque, union nut	15 Nm
Number of connections	10

Panel feed-through - QPD W 4PE6,0 M25 0,5 BK - 1410396

Technical data

General

Conductor cross section flexible min.	2.5 mm ²
Conductor cross section flexible max.	6 mm ²
Conductor cross section solid min.	2.5 mm ²
Conductor cross section solid max.	6 mm ²
Conductor cross section AWG min.	14
Conductor cross section AWG max.	10

Cabel

Structure of individual litz in acc. with VDE 0295 / smallest wire diameter	VDE 0295 class 1 to 6/min. 0.15 mm
Wire insulation material	PVC/PE/TPE/rubber
Wire diameter including insulation	2.95 mm ... 5 mm
Conductor cross section	6 mm ²
Wire colors	black, brown, gray, blue, green/yellow
Position marking	1, 2, 3, N, PE

Ambient conditions

Degree of protection	IP66
	IP68 (2 m / 24 h)
	IP69K
Ambient temperature (operation)	-40 °C ... 100 °C
Ambient temperature (storage/transport)	-40 °C ... 100 °C
Temperature when conductor connected	-5 °C ... 50 °C

Electrical characteristics

Nominal current I _N	40 A
Nominal voltage U _N	690 V AC
	690 V DC
Rated current	40 A
Rated voltage (III/3)	690 V
Rated voltage (III/2)	1000 V
Rated voltage (II/2)	1000 V
Rated surge voltage (III/3)	6 kV
Rated surge voltage (III/2)	8 kV
Rated surge voltage (II/2)	8 kV

Mechanical characteristics

QUICKON connectability	max. 10
Category of shock impact	IK07

Material data

Contact material	Cu
Contact surface material	silver-plated
Contact carrier material	PA

Panel feed-through - QPD W 4PE6,0 M25 0,5 BK - 1410396

Technical data

Material data

Insulating material	PA
Flammability rating according to UL 94	V0
Overvoltage category	III
Degree of pollution	3

Standards and Regulations

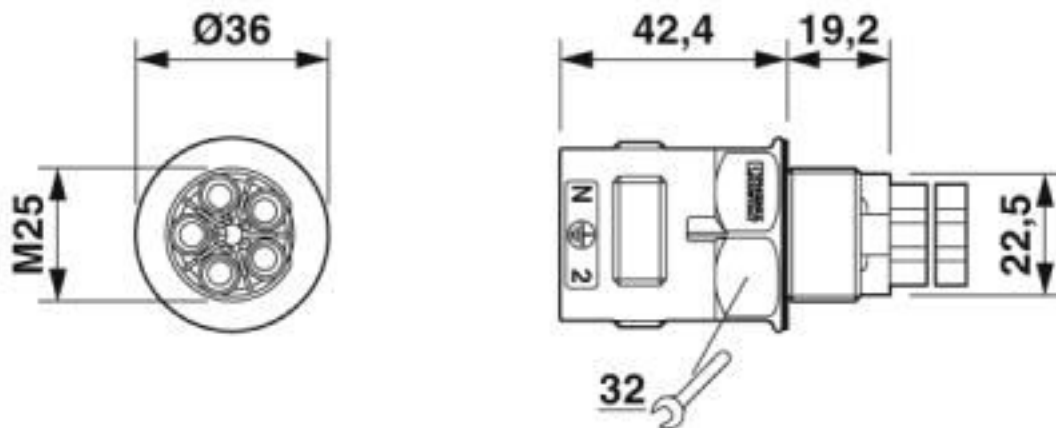
Category of shock impact	IK07
Flammability rating according to UL 94	V0

Environmental Product Compliance

China RoHS	Environmentally Friendly Use Period = 50 years
	For details about hazardous substances go to tab "Downloads", Category "Manufacturer's declaration"

Drawings

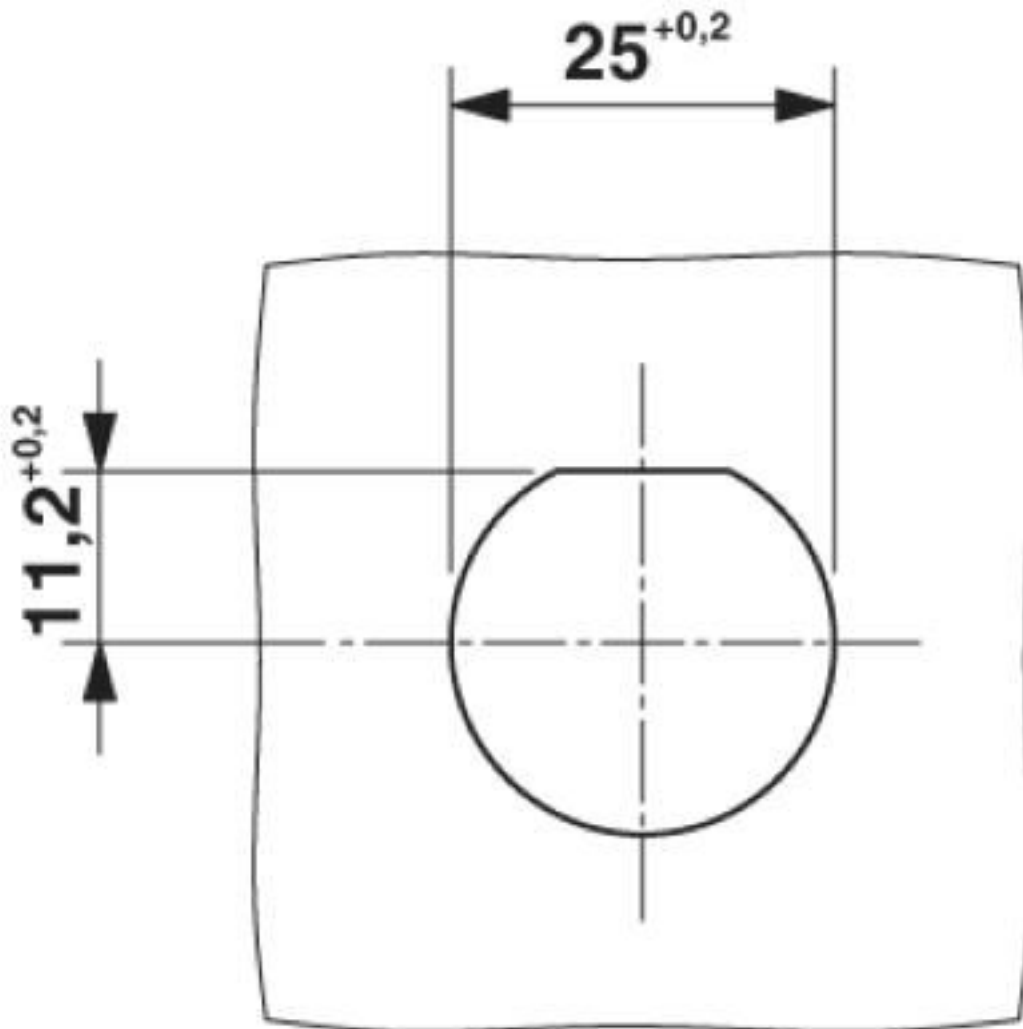
Dimensional drawing



Dimensional drawing of QPD W 4PE6,0 M25

Panel feed-through - QPD W 4PE6,0 M25 0,5 BK - 1410396

Dimensional drawing



Panel cutout

Classifications

eCl@ss

eCl@ss 10.0.1	27440602
eCl@ss 4.0	27140800
eCl@ss 4.1	27140800
eCl@ss 5.0	27143400
eCl@ss 5.1	27143400
eCl@ss 6.0	27143400
eCl@ss 7.0	27440602
eCl@ss 8.0	27440602

Panel feed-through - QPD W 4PE6,0 M25 0,5 BK - 1410396

Classifications

eCl@ss

eCl@ss 9.0	27440602
------------	----------

ETIM

ETIM 4.0	EC002635
ETIM 5.0	EC002566
ETIM 6.0	EC002566
ETIM 7.0	EC002566

UNSPSC

UNSPSC 13.2	39121522
UNSPSC 18.0	39121522
UNSPSC 19.0	39121522
UNSPSC 20.0	39121522
UNSPSC 21.0	39121522

Approvals

Approvals

Approvals

EAC / EAC / DNV GL / IECCEB Scheme / VDE Zeichengenehmigung

Ex Approvals

Approval details

EAC		RU C-DE.AI30.B.01102
-----	--	----------------------

EAC		RU C-DE.BL08.B.00511
-----	--	----------------------

DNV GL		https://approvalfinder.dnvgl.com/	TAE00003J5
--------	--	---	------------

IECCEB Scheme		http://www.iecee.org/	DE1-61559
---------------	--	---	-----------

Panel feed-through - QPD W 4PE6,0 M25 0,5 BK - 1410396

Approvals

VDE Zeichengenehmigung		http://www2.vde.com/de/Institut/Online-Service/VDE-gepruefteProdukte/Seiten/Online-Suche.aspx	40029149
Nominal voltage UN		690 V	
Nominal current IN		40 A	
mm ² /AWG/kcmil		2.5-6	

Accessories

Accessories

Coding element

Coding profile - CP-QPD 5X6,0 - 1411402



Coding profile, red, for insertion into the 5-pos. QUICKON dome and connector, can be positioned in 72° increments.

Mounting material

Nut - Q-MU M25 - 1640715



Nut (plastic) to lock the contact carrier from the inside of the device

Protective cap

Protective cap - QPD QSK 5X6,0 - 1411403



Protective cap, black plastic, for 5 x 2.5 mm² QPD connector, IP50.

Panel feed-through - QPD W 4PE6,0 M25 0,5 BK - 1410396

Accessories

Protective cap - QPD QSK BK 5X6,0 FS - 1411400

Protective cap, plastic, for QUICKON connection, black, with retaining cord, IP68



Phoenix Contact 2020 © - all rights reserved
<http://www.phoenixcontact.com>

PHOENIX CONTACT GmbH & Co. KG
Flachsmarktstr. 8
32825 Blomberg
Germany
Tel. +49 5235 300
Fax +49 5235 3 41200
<http://www.phoenixcontact.com>

X-ON Electronics

Largest Supplier of Electrical and Electronic Components

Click to view similar products for [Circular Metric Connectors](#) category:

Click to view products by [Phoenix Contact](#) manufacturer:

Other Similar products are found below :

[600X518037X](#) [6STD15PCR99B70A](#) [8R4000A16M020](#) [8R5000A16M005](#) [1200910002](#) [1203580030](#) [1200910008](#) [1200910011](#) [1300140094](#)
[130203-0054](#) [1300140026](#) [1300150099](#) [RF-12S1N8A90DU](#) [1-3637-600-5205](#) [1612618](#) [21036836414](#) [8R4006A16M010](#) [1604232](#)
[1R3006A20M005](#) [RF-12P1N8A90DU](#) [41-40011](#) [42-00006](#) [42-01015](#) [4-22279-4](#) [4-22281-1](#) [4-22284-9](#) [43-00113](#) [43-01088](#) [43-01203](#) [41-](#)
[40013](#) [42-00008](#) [43-00343](#) [43-01026](#) [43-01162](#) [43-01173](#) [43-10000](#) [XS3P-M421-2](#) [600X518050X](#) [SACC-DSI-FS-5P-PG9-L180 SC](#)
[8R5006A16M020](#) [8R5006A16M005](#) [8R4000A16M010](#) [6-22279-3](#) [1605332](#) [N03FA03144](#) [1300140077](#) [43-16213](#) [43-01338](#) [XS2RD4265](#)
[XS2R-D426-1](#)