

Conductor connectors - QPD C 4PE6,0 2X9-14 BK - 1410410

Please be informed that the data shown in this PDF Document is generated from our Online Catalog. Please find the complete data in the user's documentation. Our General Terms of Use for Downloads are valid (<http://phoenixcontact.com/download>)



QUICKON cable connector, black, 4+PE-pos., 2.5 mm² ... 6.0 mm²/690 V/40 A, for cable diameter of 9 mm ... 14 mm.

Your advantages

- ✓ Innovative and time saving - QUICKON fast connection for time saving of up to 80 % for on-site connection
- ✓ Convenient: quick and easy assembly without special tools
- ✓ Robust throughout: housing with IP68/IP69K and IK07 protection for a wide range of applications
- ✓ Safer connection thanks to polarization against mismatching and touch-proof protection according to DIN EN 0105
- ✓ Easy and safe - with the cable connector, you can repair or extend cables quickly, in combination with the connector as well as the coupling connection

Key Commercial Data

Packing unit	1 pc
GTIN	
GTIN	4046356929516

Technical data

General

Type	QPD 5x6,0
Color	black
Locking type	Screw locking
Connection method	QUICKON connection
	IDC connection
Number of positions	5
Note number of positions	4+PE
Wrench size, union nut	30 mm
Tightening torque, union nut	15 Nm
Conductor cross section flexible min.	2.5 mm ²
Conductor cross section flexible max.	6 mm ²

Conductor connectors - QPD C 4PE6,0 2X9-14 BK - 1410410

Technical data

General

Conductor cross section solid min.	2.5 mm ²
Conductor cross section solid max.	6 mm ²
Conductor cross section AWG min.	14
Conductor cross section AWG max.	10

Cabel

Structure of individual litz in acc. with VDE 0295 / smallest wire diameter	VDE 0295 class 1 to 6/min. 0.15 mm
Wire insulation material	PVC/PE/TPE/rubber
Wire diameter including insulation	2.95 mm ... 5 mm
External cable diameter	9 mm ... 14 mm
Position marking	1, 2, 3, N, PE

Ambient conditions

Degree of protection	IP66
	IP68 (2 m / 24 h)
	IP69K
Ambient temperature (operation)	-40 °C ... 100 °C
Ambient temperature (storage/transport)	-40 °C ... 100 °C
Temperature when conductor connected	-5 °C ... 50 °C

Electrical characteristics

Nominal current I _N	40 A
Nominal voltage U _N	690 V AC
	690 V DC
Rated current	40 A
Rated voltage (III/3)	690 V
Rated voltage (III/2)	1000 V
Rated voltage (II/2)	1000 V
Rated surge voltage (III/3)	6 kV
Rated surge voltage (III/2)	8 kV
Rated surge voltage (II/2)	8 kV

Mechanical characteristics

QUICKON connectability	max. 10
Insertion/withdrawal cycles	>= 50 (QUICKON connections max. 10)
Category of shock impact	IK07

Material data

Contact material	Cu
Contact surface material	silver-plated
Contact carrier material	PA
Insulating material	PA
Flammability rating according to UL 94	V0

Conductor connectors - QPD C 4PE6,0 2X9-14 BK - 1410410

Technical data

Material data

Overvoltage category	III
Degree of pollution	3

Standards and Regulations

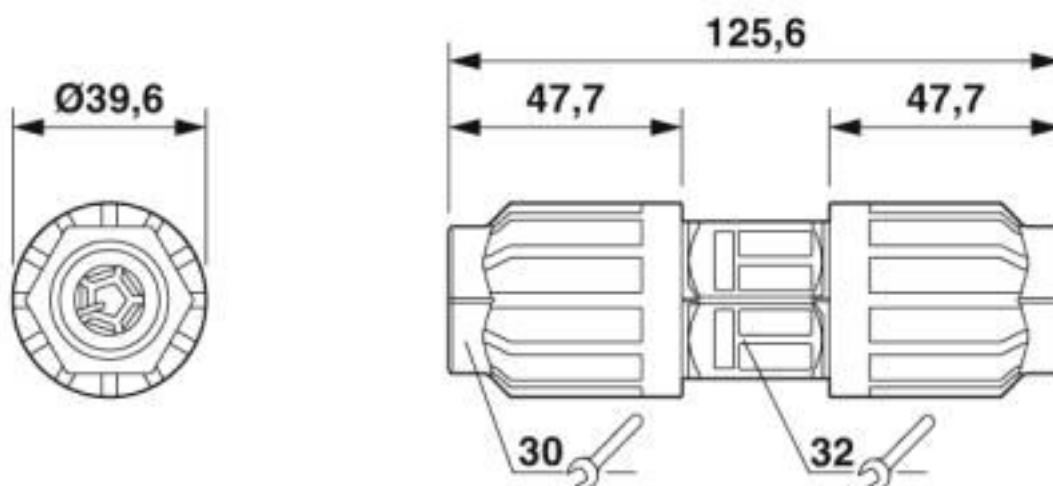
Category of shock impact	IK07
Flammability rating according to UL 94	V0

Environmental Product Compliance

China RoHS	Environmentally friendly use period: unlimited = EFUP-e
	No hazardous substances above threshold values

Drawings

Dimensional drawing



Dimensional drawing of QPD C 5x6,0

Classifications

eCl@ss

eCl@ss 10.0.1	27440605
eCl@ss 4.0	27140800
eCl@ss 4.1	27140800
eCl@ss 5.0	27143400
eCl@ss 5.1	27143400
eCl@ss 6.0	27143400
eCl@ss 7.0	27440605
eCl@ss 8.0	27440604
eCl@ss 9.0	27440605

Conductor connectors - QPD C 4PE6,0 2X9-14 BK - 1410410

Classifications

ETIM

ETIM 4.0	EC000516
ETIM 5.0	EC002560
ETIM 6.0	EC002560
ETIM 7.0	EC002560

UNSPSC

UNSPSC 13.2	39121402
UNSPSC 18.0	39121402
UNSPSC 19.0	39121402
UNSPSC 20.0	39121402
UNSPSC 21.0	39121402

Approvals


Approvals

Approvals

EAC / EAC / DNV GL / IECEE CB Scheme / VDE Zeichengenehmigung


Ex Approvals

Approval details

EAC		RU C- DE.AI30.B.01102
-----	---	--------------------------

EAC		RU C- DE.BL08.B.00511
-----	---	--------------------------

DNV GL		https://approvalfinder.dnvgl.com/	TAE00003J5
--------	---	---	------------

IECEE CB Scheme		http://www.iecee.org/	DE1-61559
-----------------	---	---	-----------

Conductor connectors - QPD C 4PE6,0 2X9-14 BK - 1410410

Approvals

VDE Zeichengenehmigung		http://www2.vde.com/de/Institut/Online-Service/VDE-gepruefteProdukte/Seiten/Online-Suche.aspx	40029149
Nominal voltage UN		690 V	
Nominal current IN		40 A	
mm ² /AWG/kcmil		2.5-6	

Accessories

Accessories

Coding element

Coding profile - CP-QPD 5X6,0 - 1411402



Coding profile, red, for insertion into the 5-pos. QUICKON dome and connector, can be positioned in 72° increments.

Protective cap

Protective cap - QPD QSK 5X6,0 - 1411403



Protective cap, black plastic, for 5 x 2.5 mm² QPD connector, IP50.

Protective cap - QPD QSK BK 5X6,0 FS - 1411400

Protective cap, plastic, for QUICKON connection, black, with retaining cord, IP68



Sealing plugs

Conductor connectors - QPD C 4PE6,0 2X9-14 BK - 1410410

Accessories

Closing cap - SEALING PLUG 10X16 RD - 1400284



Closing cap, material: PA, for threads pluggable, color: red

Phoenix Contact 2020 © - all rights reserved
<http://www.phoenixcontact.com>

PHOENIX CONTACT GmbH & Co. KG
Flachsmarktstr. 8
32825 Blomberg
Germany
Tel. +49 5235 300
Fax +49 5235 3 41200
<http://www.phoenixcontact.com>

X-ON Electronics

Largest Supplier of Electrical and Electronic Components

Click to view similar products for [Circular Push Pull Connectors](#) category:

Click to view products by [Phoenix Contact](#) manufacturer:

Other Similar products are found below :

[6407-249V-11273P](#) [6408-201V-13273](#) [6408-202V-13343](#) [6408-202V-17343](#) [EZG.0B.309.CLN](#) [FFA.2S.310.ZLA](#) [FGJ.1B.304.CLLD76](#)
[FGJ.1B.306.CWLD72](#) [FGJ.3B.304.CYMD10Z](#) [FGJ.3B.304.CYMD82Z](#) [FHG.1B.303.CYCZ](#) [PCS.01.250.DLLE24](#) [PHG.0K.305.CYMC40Z](#)
[PHG.1K.308.CLLK85](#) [PKG.M0.6BL.LZ](#) [PLC.M1.0SL.LA](#) [GMA.10.290.DN](#) [GMA.3B.090.DA](#) [PRG.M0.6GL.LC52GZ](#) [PSA.1S.275.CTLC66](#)
[ABF.1S.250.NTA](#) [133020F](#) [1331ER193MZ](#) [1332M107MZ](#) [DTS26Z19-32JA-LC](#) [DTS26Z19-32SA](#) [DTS26Z19-32SA-LC](#) [EAJ.1B.306.CWA](#)
[ECG.XB.312.CLL](#) [1589430-2](#) [EEA.0B.305.CLN](#) [EEA.0B.309.CLL](#) [ELF.00.250.NTL](#) [BRR.2S.200.PZVG](#) [HR10A-P](#) [CAH.M34.SLL.C72GZ](#)
[CAJ.M34.SLL.C72GZ](#) [300500](#) [ESB.00.303.NLL](#) [EXG.0B.309.HLN](#) [FFB.1S.250.CLAC27](#) [FGA.2B.306.CYCD92](#) [FGA.2B.306.CYCD92Z](#)
[FGJ.3B.308.CLLD72Z](#) [FHG.1B.303.CYCD62](#) [FLC.00.250.CTAC27](#) [FLC.00.250.CTAC31](#) [PCS.01.250.DLLE31](#) [PKA.M1.0TL.LG](#)
[PKC.M0.7GL.NG](#)