

## Connector - SACC-M12MS-8CON-PG11-M - 1410666

Please be informed that the data shown in this PDF Document is generated from our Online Catalog. Please find the complete data in the user's documentation. Our General Terms of Use for Downloads are valid (<http://phoenixcontact.com/download>)




Connector, 8-position, Plug straight M12, Coding: A, Screw connection, knurl material: Zinc die-cast, nickel-plated, cable gland Pg11, external cable diameter 8 mm ... 10 mm

### Your advantages

- ✓ Safe use in the field, thanks to a high degree of protection
- ✓ Flexible: connectors for on-site assembly
- ✓ Screw connection: proven connection technology for a large selection of different conductors

### Key Commercial Data

|              |   |
|--------------|---|
| Packing unit | 1 pc  |
| GTIN         | <br>4 046356 904650 |
| GTIN         | 4046356904650   |

### Technical data

#### Dimensions

|   |                |
|---|----------------|
| Diameter housing                        | 20 mm          |
| Length                                  | 65.5 mm        |
| External cable diameter                 | 8 mm ... 10 mm |
| Stripping length of the sheath          | 20 mm          |
| Stripping length of the individual wire | 5 mm           |

#### Ambient conditions

|                                 |                                  |
|---------------------------------|----------------------------------|
| Ambient temperature (operation) | -40 °C ... 85 °C (Plug / socket) |
| Degree of protection            | IP67                             |

#### General

|      |   |
|------|---|
| Note | NOTE: Observe the permissible bending radii when laying conductors, since the degree of protection may be put in jeopardy if the bending forces are too high. Alleviate mechanical loads upstream of the connector, e.g. by using cable ties. |
|------|---|

# Connector - SACC-M12MS-8CON-PG11-M - 1410666

## Technical data

### General

|                             |  |
|-----------------------------|--|
| Rated current at 40°C       | 2 A  |
| Rated voltage               | 30 V AC  |
|                             | 30 V DC  |
| Number of positions         | 8  |
| Color handle area           | black  |
| Insulation resistance       | ≥ 100 MΩ   |
| Coding                      | A - standard   |
| Standards/regulations       | M12 connector IEC 61076-2-101                                      |
| Status display              | No   |
| Overvoltage category        | II   |
| Degree of pollution         | 3  |
| Connection method           | Screw connection   |
| Conductor cross section     | 0.25 mm <sup>2</sup> ... 0.5 mm <sup>2</sup> (without ferrule)     |
|                             | 0.14 mm <sup>2</sup> ... 0.34 mm <sup>2</sup> (with ferrule)       |
|                             | 0.25 mm <sup>2</sup> ... 0.5 mm <sup>2</sup> (solid)               |
| Conductor cross section AWG | 24 ... 20 (without ferrule)  |
|                             | 26 ... 22 (with ferrule)   |
| Insertion/withdrawal cycles | ≥ 100  |
| Torque                      | 0.4 Nm (M12 knurl)   |
|                             | 0.2 Nm (Screw terminal blocks)                                     |
|                             | 1.5 Nm ... 2 Nm (Pressure screw with sleeve housing)               |
| Tightening torque           | Screw plug insert with sleeve housing as far it will go            |
| Assembly instructions       | The wires can be connected both with ferrules and without ferrules |

### Material

|  |                              |
|--|------------------------------|
| Flammability rating according to UL 94 | HB                           |
| Contact material                       | CuZn                         |
| Contact surface material               | Au                           |
| Contact carrier material               | PA                           |
| Material of grip body                  | PA                           |
| Material, knurls                       | Zinc die-cast, nickel-plated |
| Sealing material                       | NBR                          |

### Standards and Regulations

|  |                               |
|--|-------------------------------|
| Standards/specifications               | M12 connector IEC 61076-2-101 |
| Flammability rating according to UL 94 | HB                            |

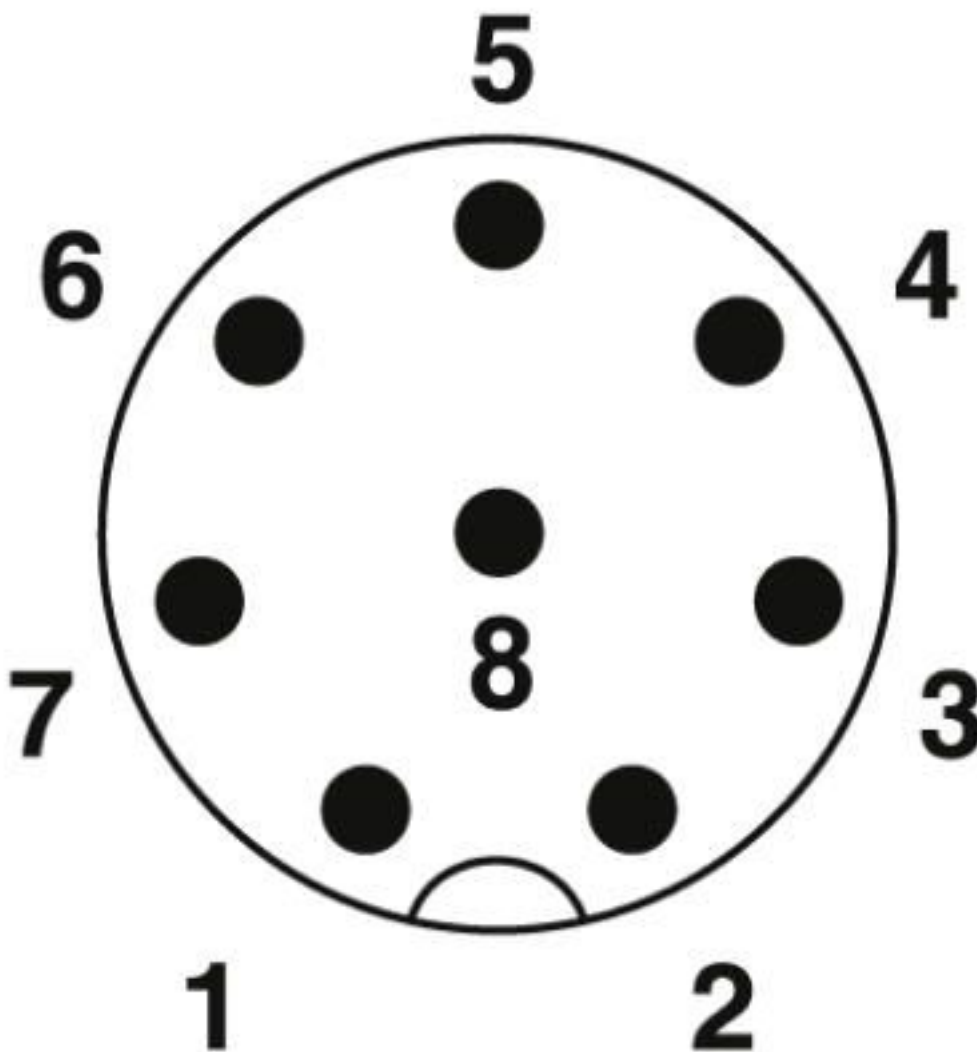
### Environmental Product Compliance

|            |   |
|------------|---|
| REACH SVHC | Lead 7439-92-1  |
| China RoHS | Environmentally Friendly Use Period = 50 years  |
|            | For details about hazardous substances go to tab "Downloads", Category "Manufacturer's declaration" |

# Connector - SACC-M12MS-8CON-PG11-M - 1410666

## Drawings

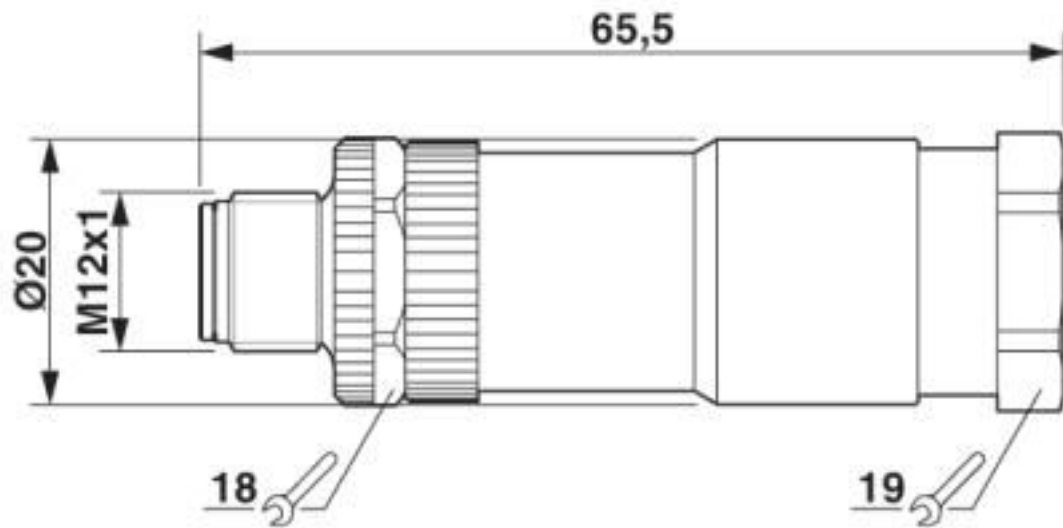
Schematic diagram



Pin assignment M12 plug, 8-pos., A-coded, view plug side

# Connector - SACC-M12MS-8CON-PG11-M - 1410666

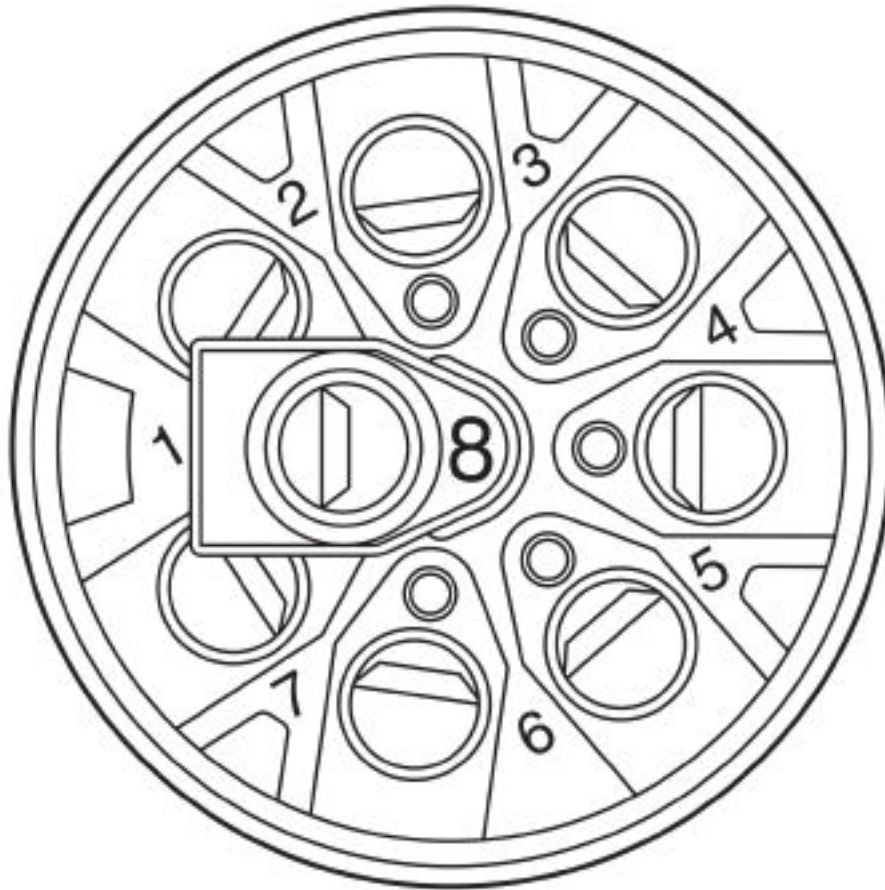
Dimensional drawing



Plug, M12 x 1, straight

# Connector - SACC-M12MS-8CON-PG11-M - 1410666

Schematic diagram



Cable connection side M12 (screw connection)

## Classifications

eCl@ss

|               |          |
|---------------|----------|
| eCl@ss 10.0.1 | 27440102 |
| eCl@ss 4.0    | 27260700 |
| eCl@ss 4.1    | 27260700 |
| eCl@ss 5.0    | 27260700 |
| eCl@ss 5.1    | 27260700 |
| eCl@ss 6.0    | 27279200 |
| eCl@ss 7.0    | 27440104 |
| eCl@ss 8.0    | 27440104 |
| eCl@ss 9.0    | 27440102 |

# Connector - SACC-M12MS-8CON-PG11-M - 1410666

## Classifications

### ETIM

|          |          |
|----------|----------|
| ETIM 4.0 | EC002062 |
| ETIM 5.0 | EC002062 |
| ETIM 6.0 | EC002062 |

### UNSPSC

|             |          |
|-------------|----------|
| UNSPSC 13.2 | 39121413 |
| UNSPSC 18.0 | 39121413 |
| UNSPSC 19.0 | 39121413 |
| UNSPSC 20.0 | 39121413 |
| UNSPSC 21.0 | 39121413 |

## Accessories

### Accessories

#### Cable end sleeve

Ferrule - A 0,25- 5 - 3202465



Ferrule, length: 5 mm, color: silver

#### Crimping tool

Crimping pliers - CRIMPFOX 6H - 1212046



Crimping pliers, for ferrules without insulating collar according to DIN 46228 Part 1 and ferrules with insulating collar according to DIN 46228 Part 4, 0.14 mm<sup>2</sup> ... 6 mm<sup>2</sup>, unlockable pressure lock, lateral entry

#### Protective cap

Sealing cap - PROT-M12 FS-PA-CHAIN - 1430873

M12 sealing cap made of plastic with fixing band, for sensor cables, for free M12 plugs



#### Screwdriver tools

## Connector - SACC-M12MS-8CON-PG11-M - 1410666

### Accessories

Adapter insert - TSD-M SAC-BIT ADAPTER - 1212600



Adapter bit for TSD-M...torque tools, E6.3-1/4" drive with 4 mm hexagon to accommodate SAC bits

---

Tool - SACC BIT M12-D20 - 1208445



Nut for assembling M12 connectors for assembly with a knurl diameter of 20 mm, for 4 mm hexagonal drive

---

Screwdriver - SZS 0,4X2,0 - 1205202



Micro screwdriver, bladed, size: 0.4 x 2.0 x 60 mm, 2-component grip, with non-slip grip and twist cap

---

### Stripping tool

Stripping tool - WIREFOX SAC - 1212623



Stripping pliers, for halogen-free sensor/actuator cables (SAC cables), with PUR and PVC insulation, from Ø of 4.4 to 7 mm, any stripping length

---

### Torque tool

Torque screwdriver - TSD 04 SAC - 1208429



Torque screwdriver, with preset torque of 0.4 Nm and 4 mm hexagonal drive for M12 connectors

---

## Connector - SACC-M12MS-8CON-PG11-M - 1410666

### Accessories

Torque screwdriver - TSD-M 1,2NM - 1212224



Torque screw driver, accuracy as per EN ISO 6789 standard, adjustable from 0.3 - 1.2 Nm

---

Stripping tool - VS-CABLE-STRIP-VARIO - 1657407



Stripping tool, for the multi-level stripping of shielded cables

---

Phoenix Contact 2020 © - all rights reserved  
<http://www.phoenixcontact.com>

PHOENIX CONTACT GmbH & Co. KG  
Flachsmarktstr. 8  
32825 Blomberg  
Germany  
Tel. +49 5235 300  
Fax +49 5235 3 41200  
<http://www.phoenixcontact.com>



## X-ON Electronics

Largest Supplier of Electrical and Electronic Components

*Click to view similar products for [Circular Metric Connectors](#) category:*

*Click to view products by [Phoenix Contact](#) manufacturer:*

Other Similar products are found below :

[600X518037X](#) [6STD15PCR99B70A](#) [8R4000A16M020](#) [8R5000A16M005](#) [1200910002](#) [1203580030](#) [1200910008](#) [1200910011](#) [1300140094](#)  
[130203-0054](#) [1300140026](#) [1300150099](#) [RF-12S1N8A90DU](#) [1-3637-600-5205](#) [1612618](#) [21036836414](#) [8R4006A16M010](#) [1604232](#)  
[1R3006A20M005](#) [RF-12P1N8A90DU](#) [41-40011](#) [42-00006](#) [42-01015](#) [4-22279-4](#) [4-22281-1](#) [4-22284-9](#) [43-00113](#) [43-01088](#) [43-01203](#) [41-](#)  
[40013](#) [42-00008](#) [43-00343](#) [43-01026](#) [43-01162](#) [43-01173](#) [43-10000](#) [XS3P-M421-2](#) [600X518050X](#) [SACC-DSI-FS-5P-PG9-L180 SC](#)  
[8R5006A16M020](#) [8R5006A16M005](#) [8R4000A16M010](#) [6-22279-3](#) [1605332](#) [N03FA03144](#) [1300140077](#) [43-16213](#) [43-01338](#) [XS2RD4265](#)  
[XS2R-D426-1](#)