

## Reducing adapter - REDUC-K-KV-M32/M20 BK - 1410725

Please be informed that the data shown in this PDF Document is generated from our Online Catalog. Please find the complete data in the user's documentation. Our General Terms of Use for Downloads are valid (<http://phoenixcontact.com/download>)




Reducing adapter, material: Polyamide fiberglass reinforced, connecting thread: M32 x 1.5, color: black, with flat gasket

### Product Description

Reduced M32 to M20



### Key Commercial Data

Packing unit	10 pc
GTIN	 4 046356 873239
GTIN	4046356873239

### Technical data

#### Dimensions

Length	16 mm
Length without connecting thread	6 mm
Connecting thread diameter	32 mm
Wrench size, union nut	36 mm
Hexagon angular dimension	40 mm
Length of the connecting thread	10 mm

#### Ambient conditions

Degree of protection (IP)	IP65 (Depends on the screw connection used)
Ambient temperature (operation)	-30 °C ... 100 °C

#### General

Material	Polyamide fiberglass reinforced
Outer thread	M32
Internal thread	M20
Torque	3.5 Nm ... 5 Nm
Flammability rating according to UL 94	HB

# Reducing adapter - REDUC-K-KV-M32/M20 BK - 1410725

## Technical data

### General

Color	black
-------	-------

### Standards and Regulations

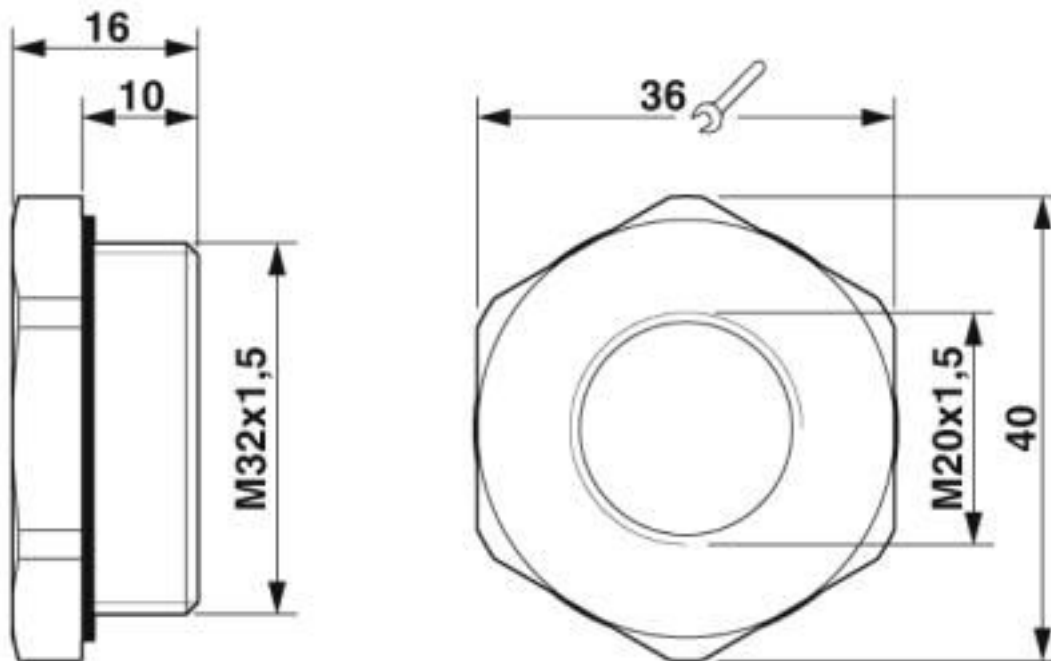
Halogen-free	no
Flammability rating according to UL 94	HB

### Environmental Product Compliance

China RoHS	Environmentally friendly use period: unlimited = EFUP-e
	No hazardous substances above threshold values

## Drawings

Dimensional drawing



Dimensional drawing

## Classifications

### eCl@ss

eCl@ss 10.0.1	27440201
eCl@ss 4.0	27141200
eCl@ss 4.1	27141200
eCl@ss 5.0	27149100
eCl@ss 5.1	27149100
eCl@ss 6.0	27149100

## Reducing adapter - REDUC-K-KV-M32/M20 BK - 1410725

### Classifications

#### eCl@ss

eCl@ss 7.0	27149109
eCl@ss 8.0	27149109
eCl@ss 9.0	27440201

#### ETIM

ETIM 4.0	EC000441
ETIM 5.0	EC000441
ETIM 6.0	EC002309
ETIM 7.0	EC002309

#### UNSPSC

UNSPSC 6.01	30211808
UNSPSC 7.0901	39121408
UNSPSC 11	39121408
UNSPSC 12.01	39121408
UNSPSC 13.2	39121311
UNSPSC 18.0	31261501
UNSPSC 19.0	31261501
UNSPSC 20.0	31261501
UNSPSC 21.0	31261501

Phoenix Contact 2020 © - all rights reserved  
<http://www.phoenixcontact.com>

PHOENIX CONTACT GmbH & Co. KG  
Flachsmarktstr. 8  
32825 Blomberg  
Germany  
Tel. +49 5235 300  
Fax +49 5235 3 41200  
<http://www.phoenixcontact.com>

## X-ON Electronics

Largest Supplier of Electrical and Electronic Components

*Click to view similar products for [Heavy Duty Power Connectors](#) category:*

*Click to view products by [Phoenix Contact](#) manufacturer:*

Other Similar products are found below :

[647757-1](#) [6643411-1](#) [6646058-2](#) [6646137-1](#) [6646138-1](#) [6646479-1](#) [6646608-1](#) [6646786-1](#) [6646940-1](#) [6651091-1](#) [6651525-1](#) [6651529-1](#)  
[6651788-1](#) [696475-1](#) [702-32-01109](#) [703-25-02205](#) [73000005059](#) [73000005642](#) [73080965046](#) [765-15-0080A](#) [765-16-0080B](#) [765-18-0080D](#)  
[829992-1](#) [902-77-02113](#) [PS00/A0620/6300](#) [129-1J](#) [1409400](#) [AN0024023](#) [E6374G1](#) [e6389g2](#) [157-43GW8](#) [MS3117-14AC](#) [1643543-1](#)  
[1650540-1](#) [1651811-2](#) [1766260-1](#) [1766282-1](#) [1766966-1](#) [1791340000](#) [NLDFT-3-BL-L-S120-M40A](#) [NLDFT-N-W-L-C240-M40B](#) [NLS-2-R-](#)  
[C240-M40B](#) [NLS-N-W-C240-M40B](#) [NPS-3-BL-T6](#) [1986615-1](#) [2-1589900-8](#) [2199314-1](#) [KA8102](#) [9300480317](#) [SBS50BRN#6](#)