

Cable gland - G-ESS-M32-M66L-NTES-S - 1411079

Please be informed that the data shown in this PDF Document is generated from our Online Catalog. Please find the complete data in the user's documentation. Our General Terms of Use for Downloads are valid (<http://phoenixcontact.com/download>)



Cable gland, cable gland material: Nickel-plated brass, application: Ex, external cable diameter 17 mm ... 26.3 mm, shielding: no, connecting thread: M32 x 1.5, color: silver

Product Description

Cable gland, for unarmored cables

Your advantages

- Weatherproof sealing material



Key Commercial Data

Packing unit	10 pc
Minimum order quantity	10 pc
GTIN	
GTIN	4046356921930

Technical data

Dimensions

Length	42 mm
Thread pitch	1.5 mm
Wrench size, union nut	41 mm
Wrench size, support	41 mm
Hexagon angular dimension	45.1 mm
Length of the connecting thread	15 mm
External cable diameter	17 mm ... 26.3 mm
Cable types that can be used	for unarmored cables

Ambient conditions

Degree of protection (IP)	IP66 (using the corresponding A-SEW-...P-W flat gasket)
	IP67 (using the corresponding A-SEW-...P-W flat gasket)
	IP68 (using the corresponding A-SEW-...P-W flat gasket)

Cable gland - G-ESS-M32-M66L-NTES-S - 1411079

Technical data

Ambient conditions

Ambient temperature (operation)	-60 °C ... 130 °C (static)
---------------------------------	----------------------------

General

Cable gland material	Nickel-plated brass
Cable seal material	EPDM
Thread type connection side	M32 x 1.5
Color	silver
Impact energy	20.00 J
Assembly instructions	Sealed to IP66/IP67/IP68 thanks to the use of the A-SEW-32-P-W flat gasket (item 1411285)
Standards/specifications	EN 60079-0, -1, -7, -15, -31
	IEC 60079-0, -1, -7, -15, -31
	EN 50262
	BS 6121: Part 1:1989
	IEC 62444
Manufacturer	CMP
Manufacturer product number	32A2F1RA5
Manufacturer Designation	32 A2F N. PLTD GLAND
Suited for EX-applications	yes

Standards and Regulations

Standards/specifications	EN 60079-0, -1, -7, -15, -31
	IEC 60079-0, -1, -7, -15, -31
	EN 50262
	BS 6121: Part 1:1989
	IEC 62444
ATEX	Sira 13ATEX1068X
	Sira 13ATEX4074X
	Ex II 2/3G, II 1D, Ex d IIC Gb, Ex e IIC Gb, Ex nR IIC Gc, Ex ta IIIC Da, Ex IM2 Ex d I Mb, Ex e I Mb
IECEX	IECEX SIR 13.0023X
	Ex d IIC Gb, Ex e IIC Gb, Ex nR IIC Gc, Ex ta IIIC Da, Ex d I Mb, Ex e I Mb

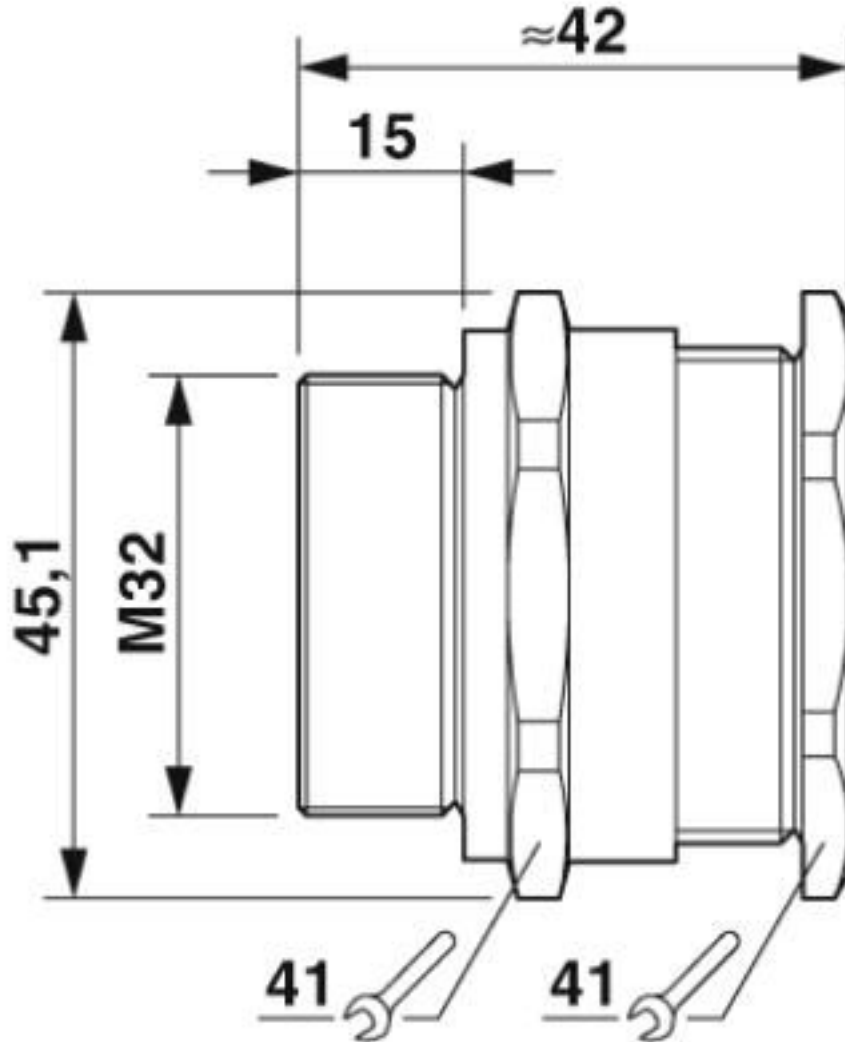
Environmental Product Compliance

REACH SVHC	Lead 7439-92-1
China RoHS	Environmentally Friendly Use Period = 50 years
	For details about hazardous substances go to tab "Downloads", Category "Manufacturer's declaration"

Drawings

Cable gland - G-ESS-M32-M66L-NTES-S - 1411079

Dimensional drawing



Dimensional drawing

Classifications

eCl@ss

eCl@ss 10.0.1	27144432
eCl@ss 4.0	27141200
eCl@ss 4.1	27141200
eCl@ss 5.0	27149100
eCl@ss 5.1	27149100
eCl@ss 6.0	27149100
eCl@ss 7.0	27149109
eCl@ss 8.0	27149109

Cable gland - G-ESS-M32-M66L-NTES-S - 1411079

Classifications

eCl@ss

eCl@ss 9.0	27144432
------------	----------

ETIM

ETIM 4.0	EC000441
ETIM 5.0	EC000441
ETIM 6.0	EC000441
ETIM 7.0	EC000441

UNSPSC

UNSPSC 13.2	39121311
UNSPSC 18.0	39121311
UNSPSC 19.0	39121311
UNSPSC 20.0	39121311
UNSPSC 21.0	39121311

Accessories

Accessories

Flat nut

Counter nut - A-INL-M32-N-S - 1411244



Counter nut, material: Brass, nickel-plated, for threads M32 x 1.5, color: silver

Seal

Flat gasket - A-SEW-32-P-W - 1411285



Flat gasket, material: Nylon, for threads M32, color: white

Phoenix Contact 2020 © - all rights reserved
<http://www.phoenixcontact.com>

PHOENIX CONTACT GmbH & Co. KG
Flachsmarktstr. 8
32825 Blomberg
Germany
Tel. +49 5235 300
Fax +49 5235 3 41200
<http://www.phoenixcontact.com>

X-ON Electronics

Largest Supplier of Electrical and Electronic Components

Click to view similar products for [Cable Glands, Strain Reliefs & Cord Grips](#) category:

Click to view products by [Phoenix Contact](#) manufacturer:

Other Similar products are found below :

[1218](#) [1300980012](#) [1300980105](#) [DBZM-6828](#) [1498](#) [915](#) [300623](#) [5632NM](#) [1124](#) [1151](#) [561-MP6P4WH](#) [5534M](#) [9000005073](#) [52104486](#)
[5315817](#) [N16 025 0112 1](#) [N16 020 0112 1](#) [M6106](#) [7422](#) [NG-9516 Gasket](#) [N16 016 0112 1](#) [NG-9514 Gasket](#) [52006151](#) [2704](#) [BM4940L](#)
[BM4950L](#) [1.097.2012.50](#) [1.152.1300.01](#) [1.152.2000.50](#) [1.152.2100.01](#) [1.152.2500.50](#) [1.152.4000.50](#) [1.209.1218.70](#) [1.209.6400.71](#)
[1.609.1100.01](#) [1.609.2900.15](#) [1.609.3200.52](#) [1.609.3600.15](#) [1.609.5000.51](#) [1.676.2500.50](#) [52103150](#) [53112705](#) [53112715](#) [53112735](#)
[53119073](#) [54115405](#) [52004120](#) [52001894](#) [53018160](#) [APGPG36BA](#)