

# Cable gland - G-ESS-M63-L66L-STES-S - 1411087

Please be informed that the data shown in this PDF Document is generated from our Online Catalog. Please find the complete data in the user's documentation. Our General Terms of Use for Downloads are valid (<http://phoenixcontact.com/download>)




Cable gland, cable gland material: Stainless steel 316L, application: Ex, external cable diameter 47.2 mm ... 56 mm, shielding: no, connecting thread: M63 x 1.5, color: silver

## Your advantages

- Weatherproof sealing material



## Key Commercial Data

Packing unit	2 pc
Minimum order quantity	2 pc
GTIN	 4 046356 922005
GTIN	4046356922005

## Technical data

### Dimensions

Length	45 mm
Thread pitch	1.5 mm
Wrench size, union nut	70 mm
Wrench size, support	75 mm
Hexagon angular dimension	82.5 mm
Length of the connecting thread	15 mm
External cable diameter	47.2 mm ... 56 mm
Cable types that can be used	for unarmored cables

### Ambient conditions

Degree of protection (IP)	IP66 (using the corresponding A-SEW-...P-W flat gasket)
	IP67 (using the corresponding A-SEW-...P-W flat gasket)
	IP68 (using the corresponding A-SEW-...P-W flat gasket)
Ambient temperature (operation)	-60 °C ... 130 °C (static)

# Cable gland - G-ESS-M63-L66L-STES-S - 1411087

## Technical data

### General

Cable gland material	Stainless steel 316L
Cable seal material	EPDM
Thread type connection side	M63 x 1.5
Color	silver
Impact energy	20.00 J
Assembly instructions	Sealed to IP66/IP67/IP68 thanks to the use of the A-SEW-63-P-W flat gasket (item 1411288)
Standards/specifications	EN 60079-0, -1, -7, -15, -31
	IEC 60079-0, -1, -7, -15, -31
	EN 50262
	BS 6121: Part 1:1989
	IEC 62444
Manufacturer	CMP
Manufacturer product number	63A2F1RA4
Manufacturer Designation	63 A2F S. STEEL GLAND
Suited for EX-applications	yes

### Standards and Regulations

Standards/specifications	EN 60079-0, -1, -7, -15, -31
	IEC 60079-0, -1, -7, -15, -31
	EN 50262
	BS 6121: Part 1:1989
	IEC 62444
ATEX	Sira 13ATEX1068X
	Sira 13ATEX4074X
	Ex II 2/3G, II 1D, Ex d IIC Gb, Ex e IIC Gb, Ex nR IIC Gc, Ex ta IIIC Da, Ex IM2 Ex d I Mb, Ex e I Mb
IECEX	IECEX SIR 13.0023X
	Ex d IIC Gb, Ex e IIC Gb, Ex nR IIC Gc, Ex ta IIIC Da, Ex d I Mb, Ex e I Mb

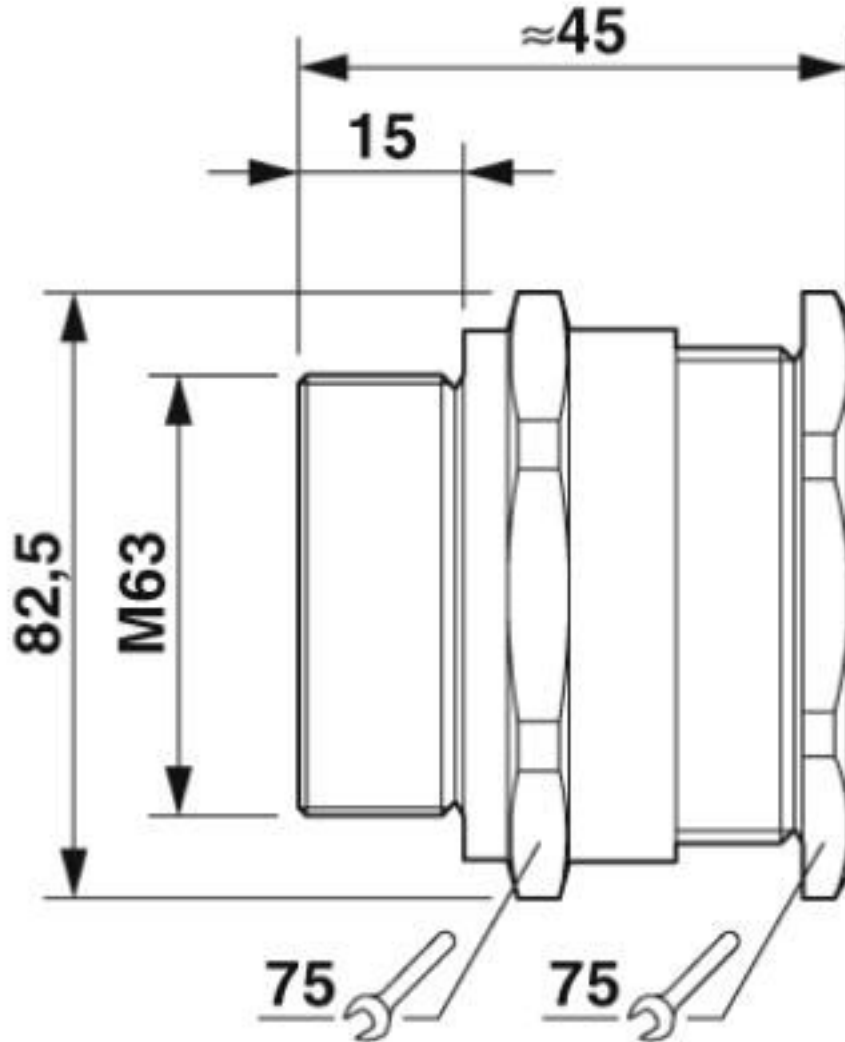
### Environmental Product Compliance

REACH SVHC	Lead 7439-92-1
China RoHS	Environmentally friendly use period: unlimited = EFUP-e
	No hazardous substances above threshold values

## Drawings

# Cable gland - G-ESS-M63-L66L-STES-S - 1411087

Dimensional drawing



Dimensional drawing

## Classifications

eCl@ss

eCl@ss 10.0.1	27144432
eCl@ss 4.0	27141200
eCl@ss 4.1	27141200
eCl@ss 5.0	27149100
eCl@ss 5.1	27149100
eCl@ss 6.0	27149100
eCl@ss 7.0	27149109
eCl@ss 8.0	27149109

# Cable gland - G-ESS-M63-L66L-STES-S - 1411087

## Classifications

### eCl@ss

eCl@ss 9.0	27144432
------------	----------

### ETIM

ETIM 4.0	EC000441
ETIM 5.0	EC000441
ETIM 6.0	EC000441
ETIM 7.0	EC000441

### UNSPSC

UNSPSC 13.2	39121311
UNSPSC 18.0	39121311
UNSPSC 19.0	39121311
UNSPSC 20.0	39121311
UNSPSC 21.0	39121311

## Accessories

### Accessories

#### Flat nut

Counter nut - A-INL-M63-S-S - 1411254

Counter nut, material: Stainless steel 1.4305, for threads M63 x 1.5, color: silver



---

#### Seal

Flat gasket - A-SEW-63-P-W - 1411288

Flat gasket, material: Nylon, for threads M63, color: white



Phoenix Contact 2020 © - all rights reserved  
<http://www.phoenixcontact.com>

PHOENIX CONTACT GmbH & Co. KG  
Flachmarktstr. 8  
32825 Blomberg  
Germany  
Tel. +49 5235 300  
Fax +49 5235 3 41200  
<http://www.phoenixcontact.com>

## X-ON Electronics

Largest Supplier of Electrical and Electronic Components

*Click to view similar products for [Cable Glands, Strain Reliefs & Cord Grips](#) category:*

*Click to view products by [Phoenix Contact](#) manufacturer:*

Other Similar products are found below :

[1218](#) [1300980012](#) [1300980105](#) [DBZM-6828](#) [1498](#) [915](#) [300623](#) [5632NM](#) [1124](#) [1151](#) [561-MP6P4WH](#) [5534M](#) [9000005073](#) [52104486](#)  
[5315817](#) [N16 025 0112 1](#) [N16 020 0112 1](#) [M6106](#) [7422](#) [NG-9516 Gasket](#) [N16 016 0112 1](#) [NG-9514 Gasket](#) [52006151](#) [2704](#) [BM4940L](#)  
[BM4950L](#) [1.097.2012.50](#) [1.152.1300.01](#) [1.152.2000.50](#) [1.152.2100.01](#) [1.152.2500.50](#) [1.152.4000.50](#) [1.209.1218.70](#) [1.209.6400.71](#)  
[1.609.1100.01](#) [1.609.2900.15](#) [1.609.3200.52](#) [1.609.3600.15](#) [1.609.5000.51](#) [1.676.2500.50](#) [52103150](#) [53112705](#) [53112715](#) [53112735](#)  
[53119073](#) [54115405](#) [52004120](#) [52001894](#) [53018160](#) [APGPG36BA](#)