

Cable gland - G-INS-M50-L68L-PNES-BK - 1411138

Please be informed that the data shown in this PDF Document is generated from our Online Catalog. Please find the complete data in the user's documentation. Our General Terms of Use for Downloads are valid (<http://phoenixcontact.com/download>)




Cable gland, cable gland material: PA, external cable diameter 30 mm ... 36 mm, shielding: no, connecting thread: M50 x 1.5, color: jet black RAL 9005

Your advantages

- ✓ Plastic material conforms to UL 746C f1

Key Commercial Data

Packing unit	1 pc
GTIN	 4 046356 922708
GTIN	4046356922708

Technical data

Dimensions

Length	71 mm
Wrench size, union nut	60 mm
Wrench size, support	60 mm
Hexagon angular dimension	67.7 mm
Length of the connecting thread	18 mm
Feed-through hole diameter	50.1 mm ... 50.3 mm
External cable diameter	30 mm ... 36 mm
	30 mm ... 38 mm (for UL 514 B)

Ambient conditions

Degree of protection (IP)	IP68 (5 bar / 0.5 h)
	IP66
Ambient temperature (operation)	-40 °C ... 100 °C (static)

General

No. of conductors	1
-------------------	---

Cable gland - G-INS-M50-L68L-PNES-BK - 1411138

Technical data

General

Cable gland material	PA
Cable seal material	CR
Flammability rating according to UL 94	V2
Shielded	no
Thread type on connection side	M50 x 1.5
Torque	20 Nm ± (2 Nm)
Color	jet black RAL 9005
Impact category	4
Execution of the strain relief	A
Assembly instructions	1) Mount screw connection support in the housing using the correct torque 2) Insert cable 3) Tighten union nut using the correct torque
Manufacturer	BIMED
Manufacturer Designation	BM-29

Standards and Regulations

Halogen-free	no
Connection in acc. with standard	CSA
Flammability rating according to UL 94	V2

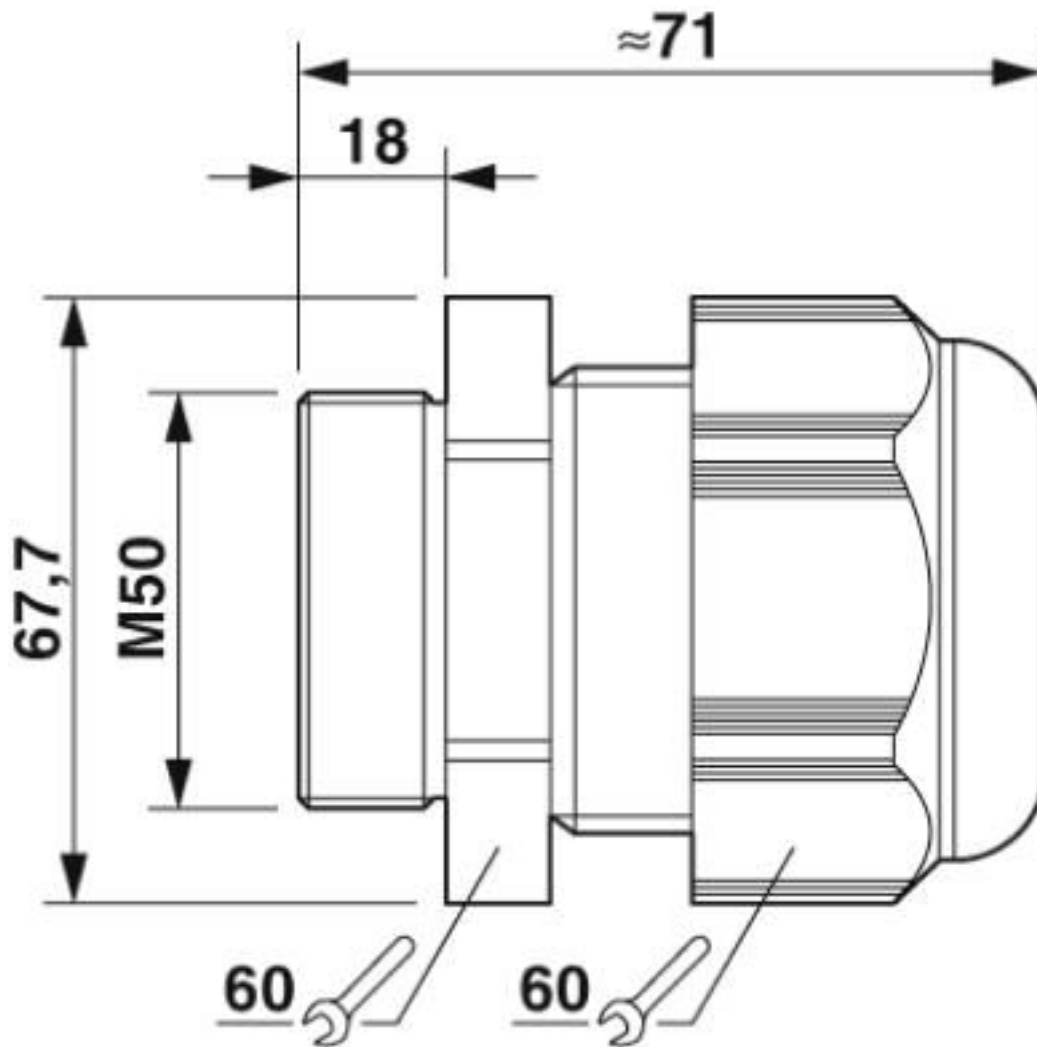
Environmental Product Compliance

China RoHS	Environmentally friendly use period: unlimited = EFUP-e
	No hazardous substances above threshold values

Drawings

Cable gland - G-INS-M50-L68L-PNES-BK - 1411138

Dimensional drawing



Dimensional drawing

Classifications

eCl@ss

eCl@ss 10.0.1	27144432
eCl@ss 4.0	27141200
eCl@ss 4.1	27141200
eCl@ss 5.0	27149100
eCl@ss 5.1	27149100
eCl@ss 6.0	27149100
eCl@ss 7.0	27149109
eCl@ss 8.0	27149109

Cable gland - G-INS-M50-L68L-PNES-BK - 1411138

Classifications

eCl@ss

eCl@ss 9.0	27144432
------------	----------

ETIM

ETIM 4.0	EC000441
ETIM 5.0	EC000441
ETIM 6.0	EC000441
ETIM 7.0	EC000441

UNSPSC

UNSPSC 13.2	39121311
UNSPSC 18.0	39121311
UNSPSC 19.0	39121311
UNSPSC 20.0	39121311
UNSPSC 21.0	39121311

Approvals

Approvals

Approvals

CSA / UL Listed / cUL Listed / VDE Zeichengenehmigung / cULus Listed

Ex Approvals

Approval details

CSA		http://www.csagroup.org/services-industries/product-listing/	115116
-----	--	---	--------

UL Listed		http://database.ul.com/cgi-bin/XYV/template/LISEXT/1FRAME/index.htm	E199260
-----------	--	---	---------

cUL Listed		http://database.ul.com/cgi-bin/XYV/template/LISEXT/1FRAME/index.htm	E199260
------------	--	---	---------

VDE Zeichengenehmigung		http://www2.vde.com/de/Institut/Online-Service/VDE-gepruefteProdukte/Seiten/Online-Suche.aspx	40024418
------------------------	--	---	----------

Cable gland - G-INS-M50-L68L-PNES-BK - 1411138

Approvals

cULus Listed



Accessories

Accessories

Flat nut

Counter nut - A-INL-M50-P-BK - 1411219



Counter nut, material: PA, for threads M50 x 1.5, color: jet black RAL 9005

Sealing plugs

Closing cap - SEALING PLUG 35X35 RD - 1421865



Closing cap, material: PA, color: red

Phoenix Contact 2020 © - all rights reserved
<http://www.phoenixcontact.com>

PHOENIX CONTACT GmbH & Co. KG
Flachsmarktstr. 8
32825 Blomberg
Germany
Tel. +49 5235 300
Fax +49 5235 3 41200
<http://www.phoenixcontact.com>

X-ON Electronics

Largest Supplier of Electrical and Electronic Components

Click to view similar products for [Cable Mounting & Accessories](#) category:

Click to view products by [Phoenix Contact](#) manufacturer:

Other Similar products are found below :

[582603-1](#) [009333-000](#) [727844N003](#) [747](#) [809090N001](#) [843188-000](#) [8666](#) [967279N002](#) [DB-11](#) [1300840039](#) [1300900096](#) [1301800416](#)
[1302264450](#) [1300830184](#) [1300830729](#) [1300900039](#) [1301580036](#) [1301850553](#) [1301860939](#) [1302000074](#) [1302261315](#) [1302264431](#)
[1337706-2](#) [APA18-AK](#) [1724](#) [1-787307-1](#) [185491N001](#) [1868](#) [HP-6N](#) [C-202-C](#) [202C221-13-0](#) [CA7308-000](#) [8S23-75FR-CS8184](#) [2684](#) [9648](#)
[3089](#) [988382-000](#) [A72821-000](#) [AA401](#) [173506-000](#) [1823](#) [202C292-13-0](#) [202C302-13-0](#) [2109](#) [300625](#) [3330](#) [3412](#) [356247-1](#) [M9142](#)
[M9143](#)