

Cable gland - G-INS-PG21-M68N-PNES-GY - 1411145

Please be informed that the data shown in this PDF Document is generated from our Online Catalog. Please find the complete data in the user's documentation. Our General Terms of Use for Downloads are valid (<http://phoenixcontact.com/download>)




Cable gland, cable gland material: PA, external cable diameter 13 mm ... 18 mm, shielding: no, connecting thread: Pg21, color: silver-gray RAL 7001

Your advantages

- ✔ Plastic material conforms to UL 746C f1



Key Commercial Data

Packing unit	5 pc
Minimum order quantity	5 pc
GTIN	 4 046356 922814
GTIN	4046356922814

Technical data

Dimensions

Length	49 mm
Wrench size, union nut	33 mm
Wrench size, support	33 mm
Hexagon angular dimension	37.8 mm
Length of the connecting thread	11 mm
Feed-through hole diameter	28.4 mm ... 28.6 mm
External cable diameter	13 mm ... 18 mm
	13 mm ... 18 mm (for UL 514 B)

Ambient conditions

Degree of protection (IP)	IP68 (5 bar / 0.5 h)
Ambient temperature (operation)	-40 °C ... 100 °C (static)

General

No. of conductors	1
-------------------	---

Cable gland - G-INS-PG21-M68N-PNES-GY - 1411145

Technical data

General

Cable gland material	PA
Cable seal material	CR
Flammability rating according to UL 94	V2
	V2 (Housing)
Shielded	no
Thread type on connection side	Pg21
Torque	9 Nm ± ()
Color	silver-gray RAL 7001
Assembly instructions	1) Mount screw connection support in the housing using the correct torque 2) Insert cable 3) Tighten union nut using the correct torque
Manufacturer	BIMED
Manufacturer Designation	BS-06

Standards and Regulations

Halogen-free	no
Connection in acc. with standard	CSA
Flammability rating according to UL 94	V2

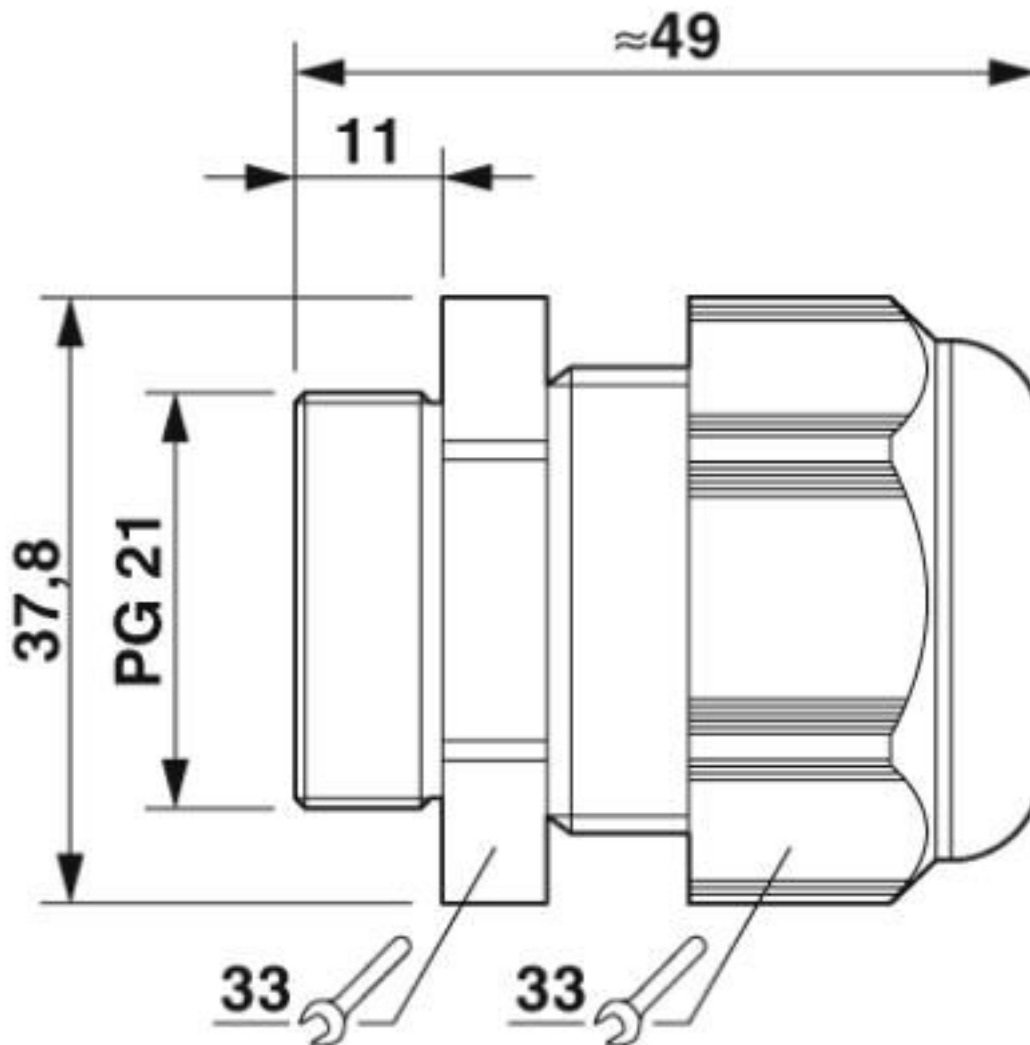
Environmental Product Compliance

China RoHS	Environmentally friendly use period: unlimited = EFUP-e
	No hazardous substances above threshold values

Drawings

Cable gland - G-INS-PG21-M68N-PNES-GY - 1411145

Dimensional drawing



Dimensional drawing

Classifications

eCl@ss

eCl@ss 10.0.1	27144432
eCl@ss 4.0	27141200
eCl@ss 4.1	27141200
eCl@ss 5.0	27149100
eCl@ss 5.1	27149100
eCl@ss 6.0	27149100
eCl@ss 7.0	27149109
eCl@ss 8.0	27149109

Cable gland - G-INS-PG21-M68N-PNES-GY - 1411145

Classifications

eCl@ss

eCl@ss 9.0	27144432
------------	----------

ETIM

ETIM 4.0	EC000441
ETIM 5.0	EC000441
ETIM 6.0	EC000441
ETIM 7.0	EC000441

UNSPSC

UNSPSC 13.2	39121311
UNSPSC 18.0	39121311
UNSPSC 19.0	39121311
UNSPSC 20.0	39121311
UNSPSC 21.0	39121311

Approvals

Approvals

Approvals

CSA / UL Listed / cUL Listed / cULus Listed

Ex Approvals

Approval details

CSA		http://www.csagroup.org/services-industries/product-listing/	115116
-----	--	---	--------

UL Listed		http://database.ul.com/cgi-bin/XYV/template/LISEXT/1FRAME/index.htm	E199260
-----------	--	---	---------

cUL Listed		http://database.ul.com/cgi-bin/XYV/template/LISEXT/1FRAME/index.htm	E199260
------------	--	---	---------

cULus Listed			
--------------	--	--	--

Cable gland - G-INS-PG21-M68N-PNES-GY - 1411145

Accessories

Accessories

Flat nut

Counter nut - A-INL-PG21-P-GY - 1411226



Counter nut, material: PA, for threads Pg21, color: silver-gray RAL 7001

Sealing plugs

Closing cap - SEALING PLUG 17X17 RD - 1421861



Closing cap, material: PA, color: red

Phoenix Contact 2020 © - all rights reserved
<http://www.phoenixcontact.com>

PHOENIX CONTACT GmbH & Co. KG
Flachsmarktstr. 8
32825 Blomberg
Germany
Tel. +49 5235 300
Fax +49 5235 3 41200
<http://www.phoenixcontact.com>

X-ON Electronics

Largest Supplier of Electrical and Electronic Components

Click to view similar products for [Cable Mounting & Accessories](#) category:

Click to view products by [Phoenix Contact](#) manufacturer:

Other Similar products are found below :

[582603-1](#) [009333-000](#) [727844N003](#) [747](#) [809090N001](#) [843188-000](#) [8666](#) [967279N002](#) [DB-11](#) [1300840039](#) [1300900096](#) [1301800416](#)
[1302264450](#) [1300830184](#) [1300830729](#) [1300900039](#) [1301580036](#) [1301850553](#) [1301860939](#) [1302000074](#) [1302261315](#) [1302264431](#)
[1337706-2](#) [APA18-AK](#) [1724](#) [1-787307-1](#) [185491N001](#) [1868](#) [HP-6N](#) [C-202-C](#) [202C221-13-0](#) [CA7308-000](#) [8S23-75FR-CS8184](#) [2684](#) [9648](#)
[3089](#) [988382-000](#) [A72821-000](#) [AA401](#) [173506-000](#) [1823](#) [202C292-13-0](#) [202C302-13-0](#) [2109](#) [300625](#) [3330](#) [3412](#) [356247-1](#) [M9142](#)
[M9143](#)