

Cable gland - G-INS-N3/4-M68L-PNES-GY - 1411154

Please be informed that the data shown in this PDF Document is generated from our Online Catalog. Please find the complete data in the user's documentation. Our General Terms of Use for Downloads are valid (<http://phoenixcontact.com/download>)



Cable gland, cable gland material: PA, external cable diameter 13 mm ... 18 mm, shielding: no, connecting thread: 3/4 inch NPT, color: silver-gray RAL 7001

Your advantages

- ✔ Plastic material conforms to UL 746C f1

Key Commercial Data

| | |
|------------------------|---------------|
| Packing unit | 5 pc |
| Minimum order quantity | 5 pc |
| GTIN | |
| GTIN | 4046356922890 |

Technical data

Dimensions

| | |
|---------------------------------|--------------------------------|
| Length | 47 mm |
| Wrench size, union nut | 33 mm |
| Wrench size, support | 33 mm |
| Hexagon angular dimension | 37.8 mm |
| Length of the connecting thread | 15 mm |
| External cable diameter | 13 mm ... 18 mm |
| | 13 mm ... 18 mm (for UL 514 B) |

Ambient conditions

| | |
|---------------------------------|----------------------------|
| Degree of protection (IP) | IP68 (5 bar / 0.5 h) |
| | IP66 |
| Ambient temperature (operation) | -40 °C ... 100 °C (static) |

General

| | |
|-------------------|---|
| No. of conductors | 1 |
|-------------------|---|

Cable gland - G-INS-N3/4-M68L-PNES-GY - 1411154

Technical data

General

| | |
|--|---|
| Cable gland material | PA |
| Cable seal material | CR |
| Flammability rating according to UL 94 | V2 |
| | V2 (Housing) |
| Shielded | no |
| Thread type on connection side | 3/4 inch NPT |
| Torque | 9 Nm ± () |
| Color | silver-gray RAL 7001 |
| Assembly instructions | 1) Mount screw connection support in the housing using the correct torque 2) Insert cable 3) Tighten union nut using the correct torque |
| Manufacturer | BIMED |
| Manufacturer Designation | BSPD-03 |

Standards and Regulations

| | |
|--|-----|
| Halogen-free | no |
| Connection in acc. with standard | CSA |
| Flammability rating according to UL 94 | V2 |

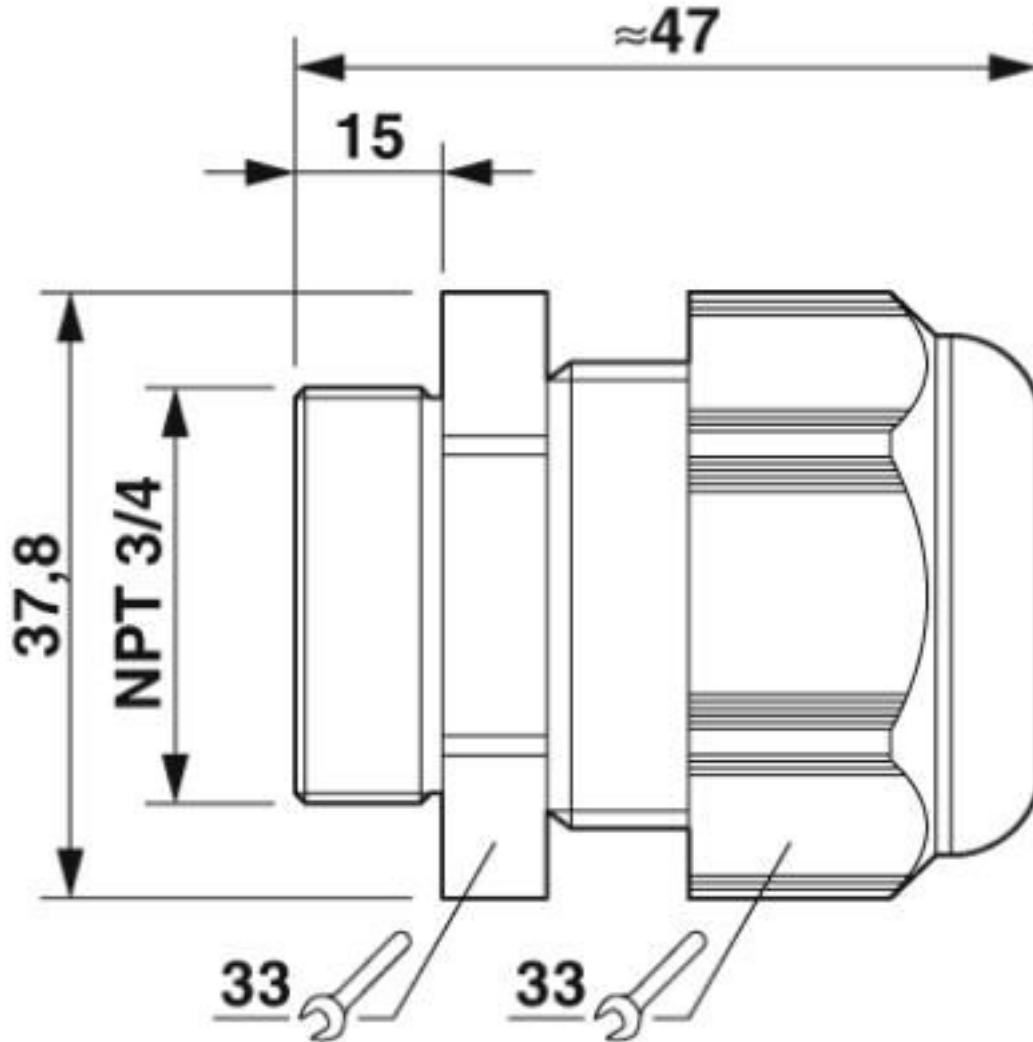
Environmental Product Compliance

| | |
|------------|---|
| China RoHS | Environmentally friendly use period: unlimited = EFUP-e |
| | No hazardous substances above threshold values |

Drawings

Cable gland - G-INS-N3/4-M68L-PNES-GY - 1411154

Dimensional drawing



Classifications

eCl@ss

| | |
|---------------|----------|
| eCl@ss 10.0.1 | 27144432 |
| eCl@ss 4.0 | 27141200 |
| eCl@ss 4.1 | 27141200 |
| eCl@ss 5.0 | 27149100 |
| eCl@ss 5.1 | 27149100 |
| eCl@ss 6.0 | 27149100 |
| eCl@ss 7.0 | 27149109 |
| eCl@ss 8.0 | 27149109 |
| eCl@ss 9.0 | 27144432 |

Cable gland - G-INS-N3/4-M68L-PNES-GY - 1411154

Classifications

ETIM

| | |
|----------|----------|
| ETIM 4.0 | EC000441 |
| ETIM 5.0 | EC000441 |
| ETIM 6.0 | EC000441 |
| ETIM 7.0 | EC000441 |

UNSPSC

| | |
|-------------|----------|
| UNSPSC 13.2 | 39121311 |
| UNSPSC 18.0 | 39121311 |
| UNSPSC 19.0 | 39121311 |
| UNSPSC 20.0 | 39121311 |
| UNSPSC 21.0 | 39121311 |

Approvals

Approvals

Approvals

UL Listed

Ex Approvals

Approval details

| | | | |
|-----------|--|---|---------|
| UL Listed | | http://database.ul.com/cgi-bin/XYV/template/LISEXT/1FRAME/index.htm | E199260 |
|-----------|--|---|---------|

Accessories

Accessories

Flat nut

Counter nut - A-INL-NPT3/4-P-GY - 1411234



Counter nut, material: PA, for threads 3/4 inch NPT, color: silver-gray RAL 7001

Sealing plugs

Cable gland - G-INS-N3/4-M68L-PNES-GY - 1411154

Accessories

Closing cap - SEALING PLUG 17X17 RD - 1421861



Closing cap, material: PA, color: red

Phoenix Contact 2020 © - all rights reserved
<http://www.phoenixcontact.com>

PHOENIX CONTACT GmbH & Co. KG
Flachsmarktstr. 8
32825 Blomberg
Germany
Tel. +49 5235 300
Fax +49 5235 3 41200
<http://www.phoenixcontact.com>

X-ON Electronics

Largest Supplier of Electrical and Electronic Components

Click to view similar products for [Cable Mounting & Accessories](#) category:

Click to view products by [Phoenix Contact](#) manufacturer:

Other Similar products are found below :

[582603-1](#) [009333-000](#) [727844N003](#) [747](#) [809090N001](#) [843188-000](#) [8666](#) [967279N002](#) [DB-11](#) [1300840039](#) [1300900096](#) [1301800416](#)
[1302264450](#) [1300830184](#) [1300830729](#) [1300900039](#) [1301580036](#) [1301850553](#) [1301860939](#) [1302000074](#) [1302261315](#) [1302264431](#)
[1337706-2](#) [APA18-AK](#) [1724](#) [1-787307-1](#) [185491N001](#) [1868](#) [HP-6N](#) [C-202-C](#) [202C221-13-0](#) [CA7308-000](#) [8S23-75FR-CS8184](#) [2684](#) [9648](#)
[3089](#) [988382-000](#) [A72821-000](#) [AA401](#) [173506-000](#) [1823](#) [202C292-13-0](#) [202C302-13-0](#) [2109](#) [300625](#) [3330](#) [3412](#) [356247-1](#) [M9142](#)
[M9143](#)