

Cable gland - G-INS-M12-S68N-NNES-S - 1411160

Please be informed that the data shown in this PDF Document is generated from our Online Catalog. Please find the complete data in the user's documentation. Our General Terms of Use for Downloads are valid (<http://phoenixcontact.com/download>)



Cable gland, cable gland material: Nickel-plated brass, external cable diameter 3 mm ... 6.5 mm, shielding: no, connecting thread: M12 x 1.5, color: silver, with O-ring



Key Commercial Data

| | |
|--------------|---------------|
| Packing unit | 10 pc |
| GTIN | |
| GTIN | 4046356922968 |

Technical data

Dimensions

| | |
|---------------------------------|--------------------------------|
| Length | 27 mm |
| Wrench size, union nut | 14 mm |
| Wrench size, support | 14 mm |
| Hexagon angular dimension | 15.5 mm |
| Length of the connecting thread | 6 mm |
| Feed-through hole diameter | 12.1 mm ... 12.3 mm |
| External cable diameter | 3 mm ... 6.5 mm |
| | 4 mm ... 6.5 mm (for UL 514 B) |

Ambient conditions

| | |
|---------------------------------|---------------------------------|
| Degree of protection (IP) | IP69 (DIN EN 60529 / IEC 60529) |
| | IP68 (5 bar, 30 min.) |
| | IP66 |
| Degree of protection (NEMA) | 4X |
| Ambient temperature (operation) | -40 °C ... 100 °C (static) |

General

| | |
|----------------------|---------------------|
| No. of conductors | 1 |
| Cable gland material | Nickel-plated brass |

Cable gland - G-INS-M12-S68N-NNES-S - 1411160

Technical data

General

| | |
|--------------------------------|---|
| Material, insert | Polyamide 6 |
| Cable seal material | CR |
| O-ring material | Perbunan |
| Shielded | no |
| Thread type on connection side | M12 x 1.5 |
| Torque | 5 Nm ± () |
| Color | silver |
| Impact category | 5 |
| Execution of the strain relief | A |
| Assembly instructions | 1) Mount screw connection support in the housing using the correct torque 2) Insert cable 3) Tighten union nut using the correct torque |
| Manufacturer | BIMED |
| Manufacturer Designation | BMBC-0S |

Standards and Regulations

| | |
|--------------|----|
| Halogen-free | no |
|--------------|----|

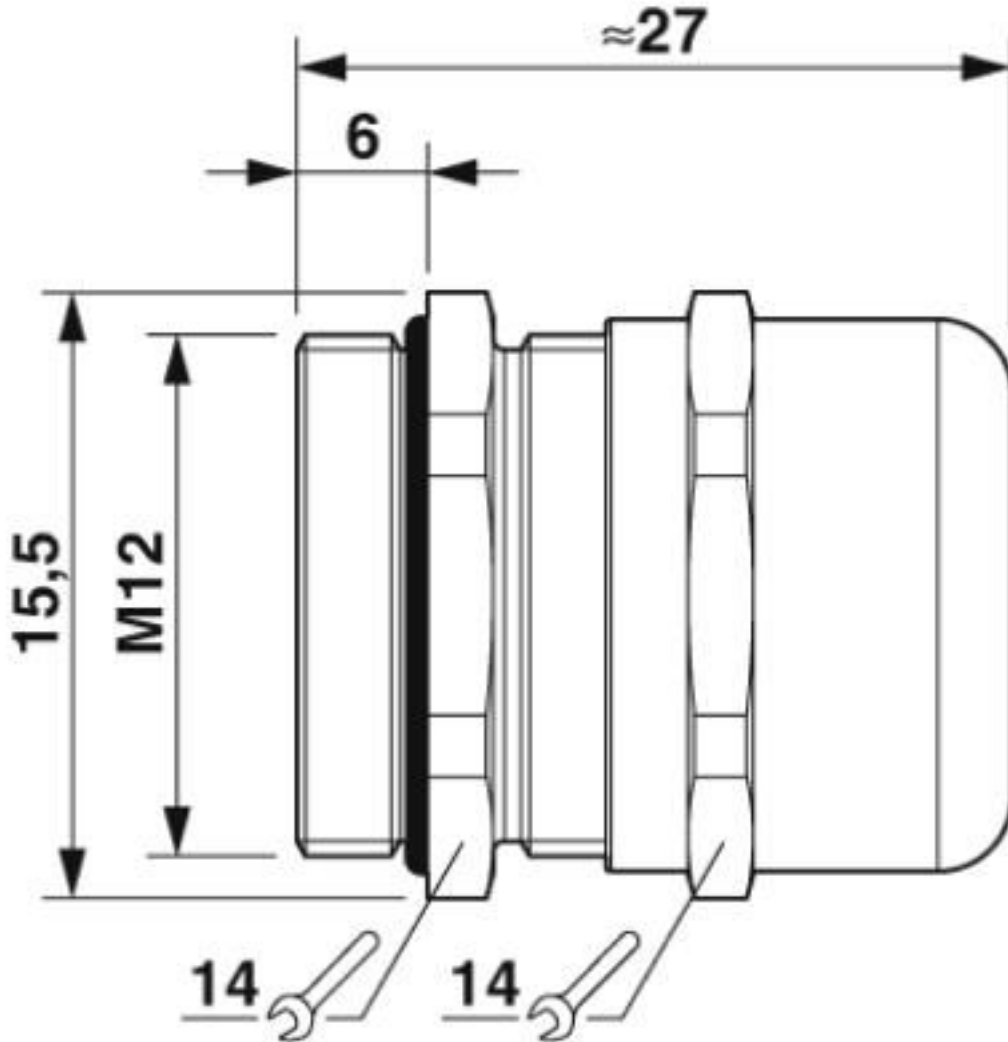
Environmental Product Compliance

| | |
|------------|---|
| REACH SVHC | Lead 7439-92-1 |
| China RoHS | Environmentally Friendly Use Period = 50 years |
| | For details about hazardous substances go to tab "Downloads", Category "Manufacturer's declaration" |

Drawings

Cable gland - G-INS-M12-S68N-NNES-S - 1411160

Dimensional drawing



Dimensional drawing

Classifications

eCl@ss

| | |
|---------------|----------|
| eCl@ss 10.0.1 | 27144432 |
| eCl@ss 4.0 | 27081000 |
| eCl@ss 4.1 | 27081000 |
| eCl@ss 5.0 | 27149100 |
| eCl@ss 5.1 | 27081000 |
| eCl@ss 6.0 | 27149100 |
| eCl@ss 7.0 | 27149109 |
| eCl@ss 8.0 | 27149109 |

Cable gland - G-INS-M12-S68N-NNES-S - 1411160

Classifications

eCl@ss

| | |
|------------|----------|
| eCl@ss 9.0 | 27144432 |
|------------|----------|

ETIM

| | |
|----------|----------|
| ETIM 4.0 | EC000441 |
| ETIM 5.0 | EC000441 |
| ETIM 6.0 | EC000441 |
| ETIM 7.0 | EC000441 |

UNSPSC

| | |
|-------------|----------|
| UNSPSC 13.2 | 39121311 |
| UNSPSC 18.0 | 39121311 |
| UNSPSC 19.0 | 39121311 |
| UNSPSC 20.0 | 39121311 |
| UNSPSC 21.0 | 39121311 |

Approvals

Approvals


Approvals


UL Recognized / cUL Recognized / cULus Recognized

Ex Approvals

Approval details

| | | | |
|---------------|---|---|---------|
| UL Recognized |  | http://database.ul.com/cgi-bin/XYV/template/LISEXT/1FRAME/index.htm | E199260 |
|---------------|---|---|---------|

| | | | |
|----------------|---|---|---------|
| cUL Recognized |  | http://database.ul.com/cgi-bin/XYV/template/LISEXT/1FRAME/index.htm | E199260 |
|----------------|---|---|---------|

| | | | |
|------------------|---|--|--|
| cULus Recognized |  | | |
|------------------|---|--|--|

Accessories

Accessories

Cable gland - G-INS-M12-S68N-NNES-S - 1411160

Accessories

Flat nut

Counter nut - A-INL-M12-N-S - 1411240



Counter nut, material: Brass, nickel-plated, for threads M12 x 1.5, color: silver

Sealing plugs

Closing cap - SEALING PLUG 5X12 RD - 1400253



Closing cap, material: PA, color: red

Phoenix Contact 2020 © - all rights reserved
<http://www.phoenixcontact.com>

PHOENIX CONTACT GmbH & Co. KG
Flachsmarktstr. 8
32825 Blomberg
Germany
Tel. +49 5235 300
Fax +49 5235 3 41200
<http://www.phoenixcontact.com>

X-ON Electronics

Largest Supplier of Electrical and Electronic Components

Click to view similar products for [Cable Glands, Strain Reliefs & Cord Grips](#) category:

Click to view products by [Phoenix Contact](#) manufacturer:

Other Similar products are found below :

[1218](#) [1300980012](#) [1300980105](#) [DBZM-6828](#) [1498](#) [915](#) [300623](#) [5632NM](#) [1124](#) [1151](#) [561-MP6P4WH](#) [5534M](#) [9000005073](#) [52104486](#)
[5315817](#) [N16 025 0112 1](#) [N16 020 0112 1](#) [M6106](#) [7422](#) [NG-9516 Gasket](#) [N16 016 0112 1](#) [NG-9514 Gasket](#) [52006151](#) [2704](#) [BM4940L](#)
[BM4950L](#) [1.097.2012.50](#) [1.152.1300.01](#) [1.152.2000.50](#) [1.152.2100.01](#) [1.152.2500.50](#) [1.152.4000.50](#) [1.209.1218.70](#) [1.209.6400.71](#)
[1.609.1100.01](#) [1.609.2900.15](#) [1.609.3200.52](#) [1.609.3600.15](#) [1.609.5000.51](#) [1.676.2500.50](#) [52103150](#) [53112705](#) [53112715](#) [53112735](#)
[53119073](#) [54115405](#) [52004120](#) [52001894](#) [53018160](#) [APGPG36BA](#)