

Cable gland - G-INS-PG36-L68N-NNES-S - 1411178


Please be informed that the data shown in this PDF Document is generated from our Online Catalog. Please find the complete data in the user's documentation. Our General Terms of Use for Downloads are valid (<http://phoenixcontact.com/download>)



Cable gland, cable gland material: Nickel-plated brass, external cable diameter 22 mm ... 32 mm, shielding: no, connecting thread: Pg36, color: silver, with O-ring



Key Commercial Data

| | |
|--------------|---|
| Packing unit | 5 pc |
| GTIN |  4 046356 923118 |
| GTIN | 4046356923118 |

Technical data

Dimensions

| | |
|---------------------------------|--------------------------------|
| Length | 57 mm |
| Wrench size, union nut | 50 mm |
| Wrench size, support | 50 mm |
| Hexagon angular dimension | 55.5 mm |
| Length of the connecting thread | 9 mm |
| Feed-through hole diameter | 47.1 mm ... 47.5 mm |
| External cable diameter | 22 mm ... 32 mm |
| | 22 mm ... 32 mm (for UL 514 B) |

Ambient conditions

| | |
|---------------------------------|----------------------------|
| Degree of protection (IP) | IP68 (5 bar, 30 min.) |
| Ambient temperature (operation) | -40 °C ... 100 °C (static) |

General

| | |
|----------------------|---------------------|
| No. of conductors | 1 |
| Cable gland material | Nickel-plated brass |
| Material, insert | Polyamide 6 |
| Cable seal material | CR |
| O-ring material | Perbunan |

Cable gland - G-INS-PG36-L68N-NNES-S - 1411178

Technical data

General

| | |
|--------------------------------|---|
| Shielded | no |
| Thread type on connection side | Pg36 |
| Torque | 42 Nm ± (1.5 Nm) |
| Color | silver |
| Assembly instructions | 1) Mount screw connection support in the housing using the correct torque 2) Insert cable 3) Tighten union nut using the correct torque |
| Manufacturer | BIMED |
| Manufacturer Designation | BSBC-08 |

Standards and Regulations

| | |
|--------------|----|
| Halogen-free | no |
|--------------|----|

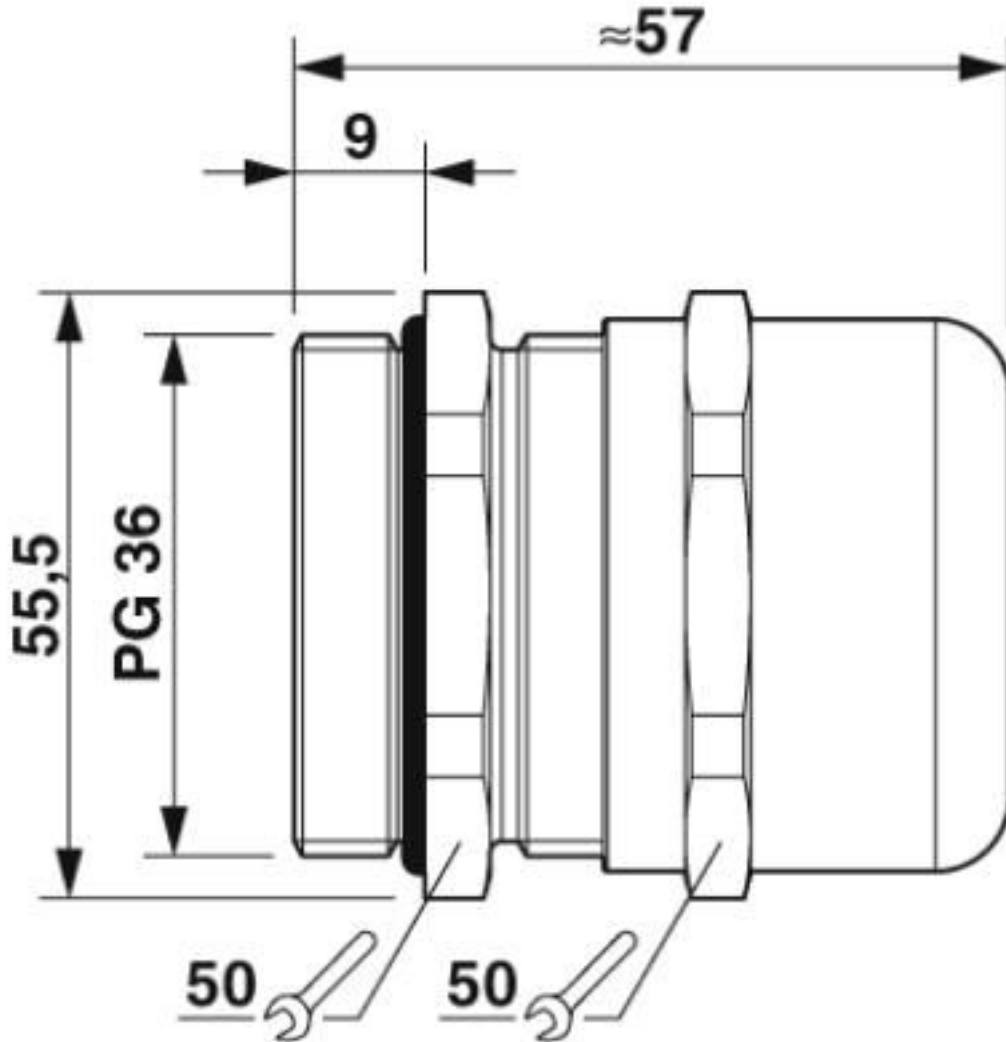
Environmental Product Compliance

| | |
|------------|---|
| REACH SVHC | Lead 7439-92-1 |
| China RoHS | Environmentally Friendly Use Period = 50 years |
| | For details about hazardous substances go to tab "Downloads", Category "Manufacturer's declaration" |

Drawings

Cable gland - G-INS-PG36-L68N-NNES-S - 1411178

Dimensional drawing



Dimensional drawing

Classifications

eCl@ss

| | |
|---------------|----------|
| eCl@ss 10.0.1 | 27144432 |
| eCl@ss 4.0 | 27081000 |
| eCl@ss 4.1 | 27081000 |
| eCl@ss 5.0 | 27149100 |
| eCl@ss 5.1 | 27081000 |
| eCl@ss 6.0 | 27149100 |
| eCl@ss 7.0 | 27149109 |
| eCl@ss 8.0 | 27149109 |

Cable gland - G-INS-PG36-L68N-NNES-S - 1411178

Classifications

eCl@ss

| | |
|------------|----------|
| eCl@ss 9.0 | 27144432 |
|------------|----------|

ETIM

| | |
|----------|----------|
| ETIM 4.0 | EC000441 |
| ETIM 5.0 | EC000441 |
| ETIM 6.0 | EC000441 |
| ETIM 7.0 | EC000441 |

UNSPSC

| | |
|-------------|----------|
| UNSPSC 13.2 | 39121311 |
| UNSPSC 18.0 | 39121311 |
| UNSPSC 19.0 | 39121311 |
| UNSPSC 20.0 | 39121311 |
| UNSPSC 21.0 | 39121311 |

Approvals


Approvals


Approvals

UL Listed / cUL Listed / cULus Listed

Ex Approvals

Approval details

| | | | |
|-----------|---|---|---------|
| UL Listed |  | http://database.ul.com/cgi-bin/XYV/template/LISEXT/1FRAME/index.htm | E199260 |
|-----------|---|---|---------|

| | | | |
|------------|---|---|---------|
| cUL Listed |  | http://database.ul.com/cgi-bin/XYV/template/LISEXT/1FRAME/index.htm | E199260 |
|------------|---|---|---------|

| | | | |
|--------------|---|--|--|
| cULus Listed |  | | |
|--------------|---|--|--|

Accessories

Accessories

Cable gland - G-INS-PG36-L68N-NNES-S - 1411178

Accessories

Flat nut

Counter nut - A-INL-PG36-N-S - 1411264



Counter nut, material: Brass, nickel-plated, for threads Pg36, color: silver

Sealing plugs

Closing cap - SEALING PLUG 28X30 RD - 1421864



Closing cap, material: PA, color: red

Phoenix Contact 2020 © - all rights reserved
<http://www.phoenixcontact.com>

PHOENIX CONTACT GmbH & Co. KG
Flachsmarktstr. 8
32825 Blomberg
Germany
Tel. +49 5235 300
Fax +49 5235 3 41200
<http://www.phoenixcontact.com>

X-ON Electronics

Largest Supplier of Electrical and Electronic Components

Click to view similar products for [Cable Mounting & Accessories](#) category:

Click to view products by [Phoenix Contact](#) manufacturer:

Other Similar products are found below :

[582603-1](#) [009333-000](#) [727844N003](#) [747](#) [809090N001](#) [843188-000](#) [8666](#) [967279N002](#) [DB-11](#) [1300840039](#) [1300900096](#) [1301800416](#)
[1302264450](#) [1300830184](#) [1300830729](#) [1300900039](#) [1301580036](#) [1301850553](#) [1301860939](#) [1302000074](#) [1302261315](#) [1302264431](#)
[1337706-2](#) [APA18-AK](#) [1724](#) [1-787307-1](#) [185491N001](#) [1868](#) [HP-6N](#) [C-202-C](#) [202C221-13-0](#) [CA7308-000](#) [8S23-75FR-CS8184](#) [2684](#) [9648](#)
[3089](#) [988382-000](#) [A72821-000](#) [AA401](#) [173506-000](#) [1823](#) [202C292-13-0](#) [202C302-13-0](#) [2109](#) [300625](#) [3330](#) [3412](#) [356247-1](#) [M9142](#)
[M9143](#)