

Housing - HC-EVO-D15-SLWSC-2SSM25-PLR-BK - 1411343

Please be informed that the data shown in this PDF Document is generated from our Online Catalog. Please find the complete data in the user's documentation. Our General Terms of Use for Downloads are valid (<http://phoenixcontact.com/download>)




Box mounting bases D15, with single locking latch, material: PA, protective cover material: PA, cable outlets: 2, lateral, height: 52 mm, cable gland: none, support sleeve: no, 2x M25, protective cover: yes, Standard

Your advantages

- ✓ Flexible cable outlet direction, lateral or straight
- ✓ Lower costs than metal version
- ✓ Labeling option using 9 x 20 mm marking label
- ✓ Low weight
- ✓ Lower risk of condensation
- ✓ Both contact insert PE sheets are connected by means of a metal frame integrated in the sleeve housing
- ✓ Metal inlays ensure leading PE contact with angled plugs
- ✓ Completely corrosion-resistant
- ✓ Halogen-free plastic



Key Commercial Data

Packing unit	1 pc
GTIN	 4 046356 929134
GTIN	4046356929134

Technical data

Dimensions

Height	52 mm
Width	51 mm
Length	80 mm

Ambient conditions

Degree of protection (IP)	IP66 (when plugged in or with locked protective cover)
Degree of protection (NEMA)	12 (UL 50e)
Ambient temperature (operation)	-40 °C ... 125 °C

Housing - HC-EVO-D15-SLWSC-2SSM25-PLR-BK - 1411343

Technical data

General

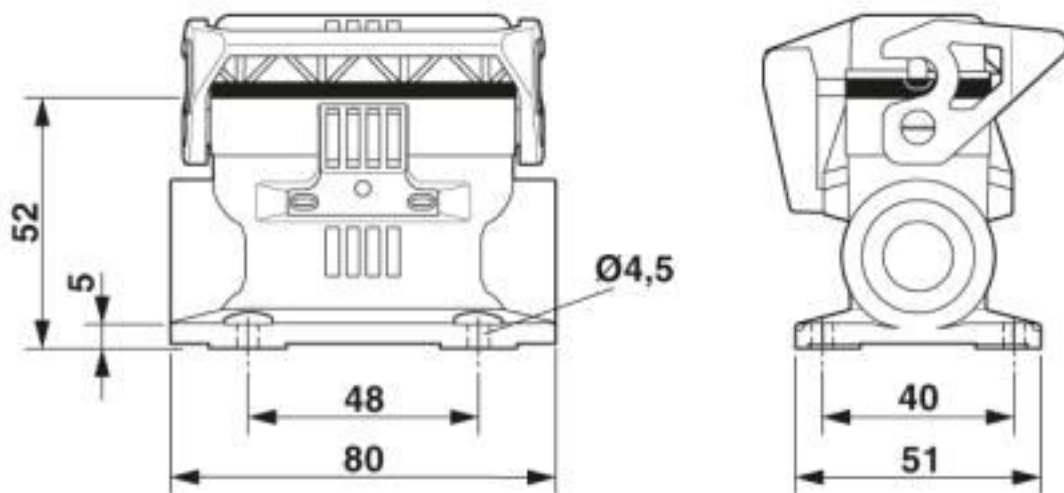
Note	For contact inserts HC-D15, A10
Size	D15
Housing type	Box mounting bases
Color	black
Locking type	with single locking latch
No. of cable outlets	2
Cable outlet	lateral
Screw connection	none
Type of the screw connection	2x M25
Protective cover	yes
Housing material	PA
Material lock	PA
Material, protective cover	PA
Flammability rating according to UL 94	V0 (Housing)
	V0 (Interlock)
	V0 (Protective cover)
Connection	One of the two openings for the screw connections is sealed but can be broken open using a screwdriver.

Environmental Product Compliance

China RoHS	Environmentally friendly use period: unlimited = EFUP-e
	No hazardous substances above threshold values

Drawings

Dimensional drawing



Dimensional drawing

Housing - HC-EVO-D15-SLWSC-2SSM25-PLR-BK - 1411343

Classifications

eCl@ss

eCl@ss 10.0.1	27440202
eCl@ss 5.1	27261200
eCl@ss 6.0	27261200
eCl@ss 7.0	27440202
eCl@ss 8.0	27440202
eCl@ss 9.0	27440202

ETIM

ETIM 4.0	EC000437
ETIM 5.0	EC000437
ETIM 6.0	EC000437
ETIM 7.0	EC000437

UNSPSC

UNSPSC 13.2	31261501
UNSPSC 18.0	31261501
UNSPSC 19.0	31261501
UNSPSC 20.0	31261501
UNSPSC 21.0	31261501

Approvals

Approvals

Approvals

EAC / DNV GL

Ex Approvals

Approval details

EAC		RU C- DE.AI30.B.01102
-----	--	--------------------------

DNV GL		https://approvalfinder.dnvgl.com/	TAE000037S
--------	--	---	------------

Housing - HC-EVO-D15-SLWSC-2SSM25-PLR-BK - 1411343

Accessories

Accessories

Full screw connection

Cable gland - HC-K-KV-M25(8-17)BK - 1411258



Plastic screw connection, IP68, up to 5 bar, thread length: 8 mm, cable diameter: 8 - 17 mm, WAF 29, screw connection: M25

Module carrier frame

Module carrier frame - HC-M-D15-MF-HB - 1062122

Module carrier frame, size: D15, 0.14 mm² ... 2.5 mm², application: Module carrier frame, for size D15 housings



Plug for cable screw gland

Filler plugs - HC-K-BS-M25 BK - 1411245



Filler plug, plastic, size: M25

Protective cover

Protective covers - HC-STA-D15-BCSFS-PLR-BK - 1424374



Protective cover D15, for single locking latch, protective cover material: PA, height: 19 mm

Reducing adapter

Housing - HC-EVO-D15-SLWSC-2SSM25-PLR-BK - 1411343

Accessories

Reducing adapter - REDUC-K-KV-M25/M20 BK - 1411232



Reducing adapter, material: Polyamide fiberglass reinforced, connecting thread: M25 x 1.5, color: black, with flat gasket

Phoenix Contact 2020 © - all rights reserved
<http://www.phoenixcontact.com>

PHOENIX CONTACT GmbH & Co. KG
Flachsmarktstr. 8
32825 Blomberg
Germany
Tel. +49 5235 300
Fax +49 5235 3 41200
<http://www.phoenixcontact.com>

X-ON Electronics

Largest Supplier of Electrical and Electronic Components

Click to view similar products for [Heavy Duty Power Connectors](#) category:

Click to view products by [Phoenix Contact](#) manufacturer:

Other Similar products are found below :

[647757-1](#) [6643411-1](#) [6646058-2](#) [6646137-1](#) [6646138-1](#) [6646479-1](#) [6646608-1](#) [6646786-1](#) [6646940-1](#) [6651091-1](#) [6651525-1](#) [6651529-1](#)
[6651788-1](#) [696475-1](#) [702-32-01109](#) [703-25-02205](#) [73000005059](#) [73000005642](#) [73080965046](#) [765-15-0080A](#) [765-16-0080B](#) [765-18-0080D](#)
[829992-1](#) [902-77-02113](#) [PS00/A0620/6300](#) [129-1J](#) [1409400](#) [AN0024023](#) [E6374G1](#) [e6389g2](#) [157-43GW8](#) [MS3117-14AC](#) [1643543-1](#)
[1650540-1](#) [1651811-2](#) [1766260-1](#) [1766282-1](#) [1766966-1](#) [1791340000](#) [NLDFT-3-BL-L-S120-M40A](#) [NLDFT-N-W-L-C240-M40B](#) [NLS-2-R-](#)
[C240-M40B](#) [NLS-N-W-C240-M40B](#) [NPS-3-BL-T6](#) [1986615-1](#) [2-1589900-8](#) [2199314-1](#) [KA8102](#) [9300480317](#) [SBS50BRN#6](#)