

# Cable gland - HC-D-G-M25-PLRBK - 1411351

Please be informed that the data shown in this PDF Document is generated from our Online Catalog. Please find the complete data in the user's documentation. Our General Terms of Use for Downloads are valid (<http://phoenixcontact.com/download>)




EVO plastic cable gland with bayonet locking, for housing series D, size M25, cable diameter: 9 ... 17 mm.



COMPLIANT

## Key Commercial Data

Packing unit	1 pc
GTIN	 4 046356 929226
GTIN	4046356929226

## Technical data

### Dimensions

Wrench size, union nut	26 mm
External cable diameter	9 mm ... 17 mm

### Ambient conditions

Degree of protection (IP)	IP66
Degree of protection (NEMA)	12 (UL 50e)
Ambient temperature (operation)	-40 °C ... 100 °C

### General

Type of the screw connection	M25
No. of conductors	1
Material	PA
Cable gland material	PA
Material, pressure screw	PA
Seal material	NBR
Cable seal material	NBR
Sealing material	NBR (O-ring)
Flammability rating according to UL 94	V0 / V2
Shielded	no

# Cable gland - HC-D-G-M25-PLRBK - 1411351

## Technical data

### General

Tightening torque, union nut	5.00 Nm
Color	black
Assembly instructions	Bayonet locking max. 3x can be removed

### Standards and Regulations

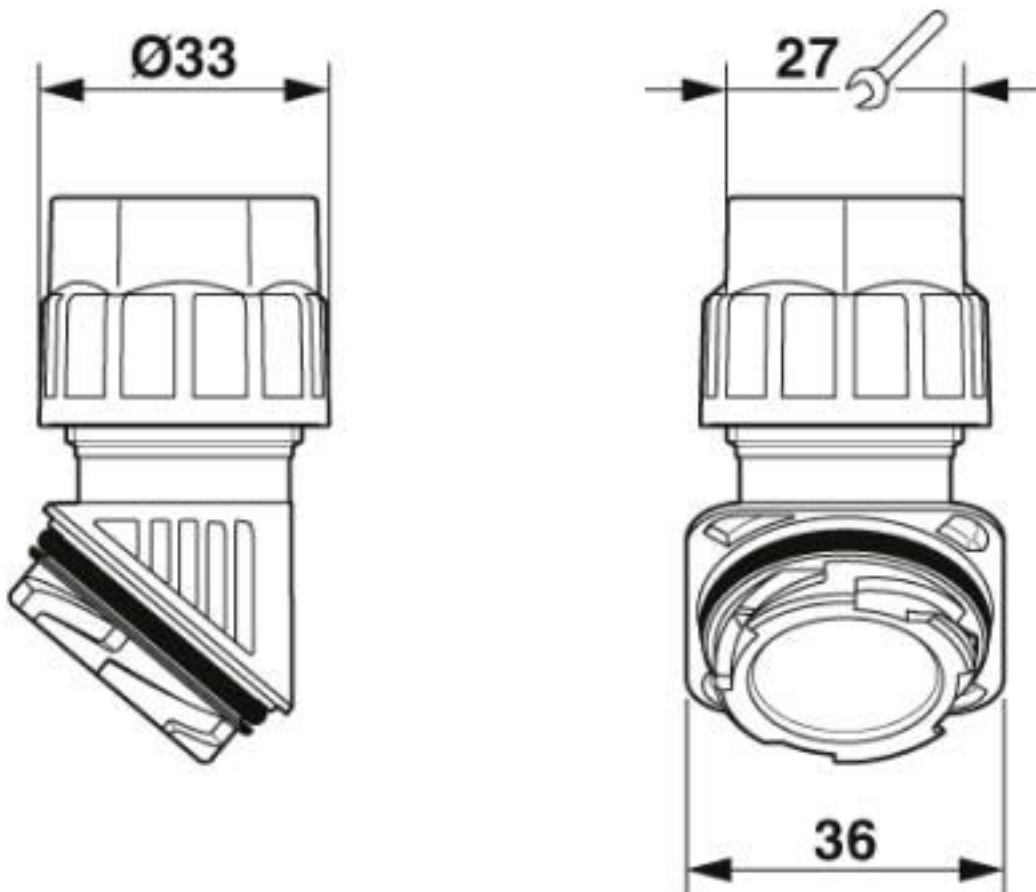
Flammability rating according to UL 94	V0 / V2
--	---------

### Environmental Product Compliance

China RoHS	Environmentally friendly use period: unlimited = EFUP-e
	No hazardous substances above threshold values

## Drawings

Dimensional drawing



Dimensional drawing

# Cable gland - HC-D-G-M25-PLRBK - 1411351

## Classifications

### eCl@ss

eCl@ss 10.0.1	27144432
eCl@ss 4.0	27140800
eCl@ss 4.1	27140800
eCl@ss 5.0	27149100
eCl@ss 5.1	27143400
eCl@ss 6.0	27149100
eCl@ss 7.0	27149109
eCl@ss 8.0	27149109
eCl@ss 9.0	27144432

### ETIM

ETIM 4.0	EC000441
ETIM 5.0	EC000441
ETIM 6.0	EC000441
ETIM 7.0	EC000441

### UNSPSC

UNSPSC 13.2	39121311
UNSPSC 18.0	39121311
UNSPSC 19.0	39121311
UNSPSC 20.0	39121311
UNSPSC 21.0	39121311

## Approvals

### Approvals

---

#### Approvals


#### EAC-RoHS / EAC

---

#### Ex Approvals

---

### Approval details

EAC-RoHS		RU D- DE.HB35.B.00387
----------	---	--------------------------

## Cable gland - HC-D-G-M25-PLRBK - 1411351

### Approvals

EAC



RU C-  
DE.AI30.B.01102

### Accessories

#### Accessories

Corrugated pipe screw connection

Corrugated tube screw connection - WP-GR HF CTA M25 BK - 3241221



Corrugated pipe adapter, with M25 internal thread, straight, black, IP66, for connecting corrugated pipes to HEAVYCON EVO plastic cable glands or ADVANCE plastic housing.

### Sealing plugs

Closing cap - SEALING PLUG 14X22 RD - 1400270



Closing cap, material: PA, for threads pluggable, color: red

Phoenix Contact 2020 © - all rights reserved  
<http://www.phoenixcontact.com>

PHOENIX CONTACT GmbH & Co. KG  
Flachsmarktstr. 8  
32825 Blomberg  
Germany  
Tel. +49 5235 300  
Fax +49 5235 3 41200  
<http://www.phoenixcontact.com>

## X-ON Electronics

Largest Supplier of Electrical and Electronic Components

*Click to view similar products for [Heavy Duty Power Connectors](#) category:*

*Click to view products by [Phoenix Contact](#) manufacturer:*

Other Similar products are found below :

[647757-1](#) [6643411-1](#) [6646058-2](#) [6646137-1](#) [6646138-1](#) [6646479-1](#) [6646608-1](#) [6646786-1](#) [6646940-1](#) [6651091-1](#) [6651525-1](#) [6651529-1](#)  
[6651788-1](#) [696475-1](#) [702-32-01109](#) [703-25-02205](#) [73000005059](#) [73000005642](#) [765-15-0080A](#) [765-16-0080B](#) [765-18-0080D](#) [829992-1](#)  
[902-77-02113](#) [PS00/A0620/6300](#) [129-1J](#) [1409400](#) [AN0024023](#) [E6374G1](#) [e6389g2](#) [157-43GW8](#) [MS3117-14AC](#) [1643543-1](#) [1650540-1](#)  
[1651811-2](#) [1766260-1](#) [1766282-1](#) [1766966-1](#) [1791340000](#) [NLDFT-3-BL-L-S120-M40A](#) [NLDFT-N-W-L-C240-M40B](#) [NLS-2-R-C240-](#)  
[M40B](#) [NLS-N-W-C240-M40B](#) [NPS-3-BL-T6](#) [1986615-1](#) [2-1589900-8](#) [2199314-1](#) [KA8102](#) [9300480317](#) [SBS50BRN#6](#) [29131](#)