

Adapter - HC-D-TA-PG16-PLR-BK - 1411353


Please be informed that the data shown in this PDF Document is generated from our Online Catalog. Please find the complete data in the user's documentation. Our General Terms of Use for Downloads are valid (<http://phoenixcontact.com/download>)



EVO plastic adapter with bayonet locking, for EVO housing series D, for Pg16 screw connections.



Key Commercial Data

Packing unit	1 pc
GTIN	 4 046356 929240
GTIN	4046356929240

Technical data

Ambient conditions

Degree of protection (IP)	IP66 (DIN IEC 60529)
Ambient temperature (operation)	-40 °C ... 125 °C

General

Type of the screw connection	Pg16
Material	PA
Housing material	PA
Seal material	NBR
Sealing material	O-ring
Flammability rating according to UL 94	V2
Thread type on seal side	Pg16
Color	black

Standards and Regulations

Flammability rating according to UL 94	V2
----------------------------------------	----

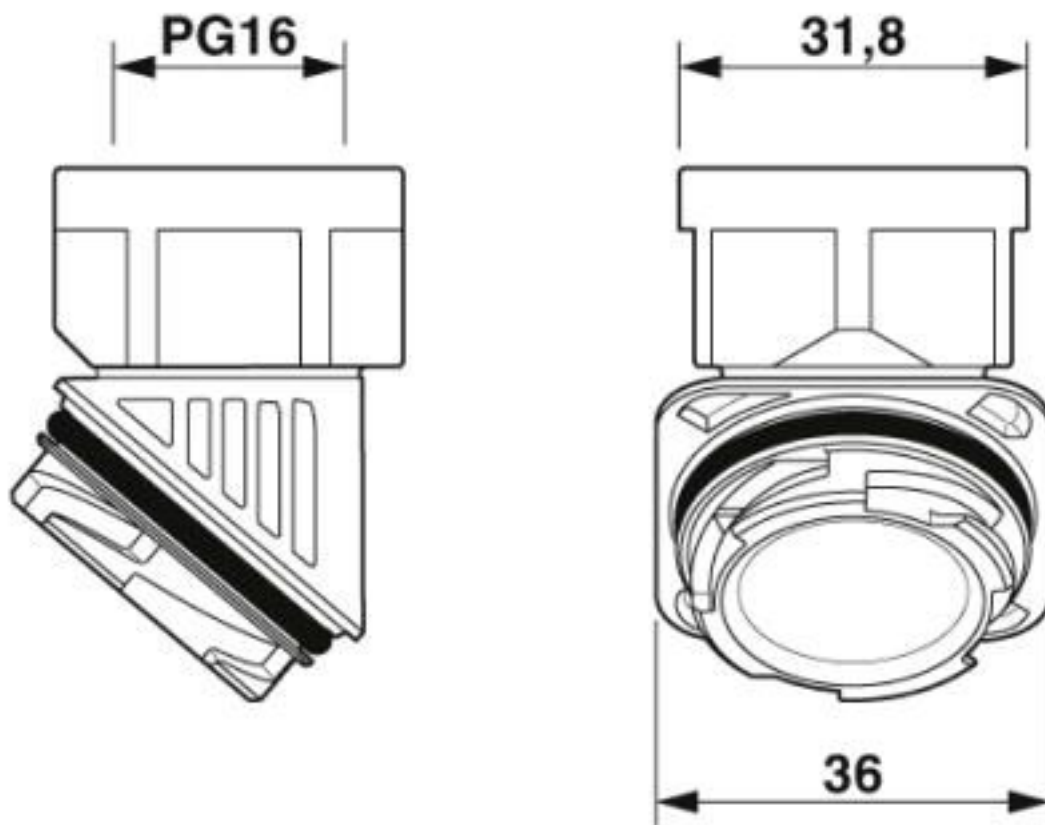
Environmental Product Compliance

China RoHS	Environmentally friendly use period: unlimited = EFUP-e
	No hazardous substances above threshold values

Adapter - HC-D-TA-PG16-PLR-BK - 1411353

Drawings

Dimensional drawing



Dimensional drawing

Classifications

eCl@ss

eCl@ss 10.0.1	27440192
eCl@ss 5.1	27261200
eCl@ss 6.0	27261200
eCl@ss 7.0	27440202
eCl@ss 8.0	27440202
eCl@ss 9.0	27440192

ETIM

ETIM 4.0	EC000516
ETIM 5.0	EC000516
ETIM 6.0	EC000437
ETIM 7.0	EC000437

Adapter - HC-D-TA-PG16-PLR-BK - 1411353

Classifications

UNSPSC

UNSPSC 13.2	31261501
UNSPSC 18.0	39121421
UNSPSC 19.0	39121421
UNSPSC 20.0	39121421
UNSPSC 21.0	39121421

Approvals

Approvals

Approvals

EAC

Ex Approvals

Approval details

EAC		RU C- DE.AI30.B.01102
-----	--	--------------------------

Accessories

Accessories

Corrugated pipe screw connection

Screw connection - WP-G HF IP66 PG16 BK - 3240891



Cable gland, Pg thread, IP66 protection, straight

Full screw connection

Cable gland - G-INS-PG16-M68N-PNES-BK - 1424499



Cable gland, cable gland material: PA, external cable diameter 10 mm ... 14 mm, shielding: no, connecting thread: Pg16, color: jet black RAL 9005

Adapter - HC-D-TA-PG16-PLR-BK - 1411353

Accessories

Phoenix Contact 2020 © - all rights reserved
<http://www.phoenixcontact.com>

PHOENIX CONTACT GmbH & Co. KG
Flachsmarktstr. 8
32825 Blomberg
Germany
Tel. +49 5235 300
Fax +49 5235 3 41200
<http://www.phoenixcontact.com>

X-ON Electronics

Largest Supplier of Electrical and Electronic Components

Click to view similar products for [Heavy Duty Power Connectors](#) category:

Click to view products by [Phoenix Contact](#) manufacturer:

Other Similar products are found below :

[647757-1](#) [6643411-1](#) [6646058-2](#) [6646137-1](#) [6646138-1](#) [6646479-1](#) [6646608-1](#) [6646786-1](#) [6646940-1](#) [6651091-1](#) [6651525-1](#) [6651529-1](#)
[6651788-1](#) [696475-1](#) [702-32-01109](#) [703-25-02205](#) [73000005059](#) [73000005642](#) [73080255059](#) [73080965046](#) [765-15-0080A](#) [765-16-0080B](#)
[765-18-0080D](#) [829992-1](#) [902-77-02113](#) [PS00/A0620/6300](#) [PS25/A0420/63](#) [129-1J](#) [1409400](#) [AN0024023](#) [E6374G1](#) [e6389g2](#) [157-43GW8](#)
[MS3117-14AC](#) [1643543-1](#) [1650540-1](#) [1651811-2](#) [1766260-1](#) [1766282-1](#) [1766966-1](#) [1791340000](#) [NLDFT-3-BL-L-S120-M40A](#) [NLDFT-N-](#)
[W-L-C240-M40B](#) [NLS-2-R-C240-M40B](#) [NLS-N-W-C240-M40B](#) [NPS-3-BL-T6](#) [1986615-1](#) [2-1589900-8](#) [2199314-1](#) [KA8102](#)