

# Connector set - HC-EVO-B06PT-BWSC-HL-M20ELC-AL - 1411487

Please be informed that the data shown in this PDF Document is generated from our Online Catalog. Please find the complete data in the user's documentation. Our General Terms of Use for Downloads are valid (<http://phoenixcontact.com/download>)



EVO connector set, B6 series, metal housing, consisting of: sleeve housing 1411448, panel mounting base 1411319, EVO screw connection 1411439, pin contact insert 1407728, socket contact insert 1407727



## Key Commercial Data

Packing unit	1 pc
GTIN	
GTIN	4046356932875

## Technical data

### General

Number of positions	6+PE
Type	B6
Connection method	Push-in connection
Cable outlet	straight
	lateral
Degree of protection for housing	IP66 (with locked protective cover)
	IP67 (when plugged in)
	4 (UL 50e)
	4X (UL 50e)
	12 (UL 50e)
Connection method	Push-in connection
Rated voltage (III/3)	500 V
Rated surge voltage	6 kV
Rated current	16 A
Conductor cross section	0.14 mm <sup>2</sup> ... 2.5 mm <sup>2</sup> (with ferrule)
Connection cross section AWG	26 ... 14
External cable diameter	9 mm ... 12 mm

## Connector set - HC-EVO-B06PT-BWSC-HL-M20ELC-AL - 1411487

### Technical data

#### General

Ambient temperature (operation)	-40 °C ... 100 °C
Length of the assembly cutout	52 mm
Width of the assembly cutout	35 mm
Housing material	Die-cast aluminum, corrosion resistant
Contact carrier material	PA
Locking latch material	PA
Integrated protective cover	Yes

#### Standards and Regulations

Flammability rating according to UL 94	V0
--	----

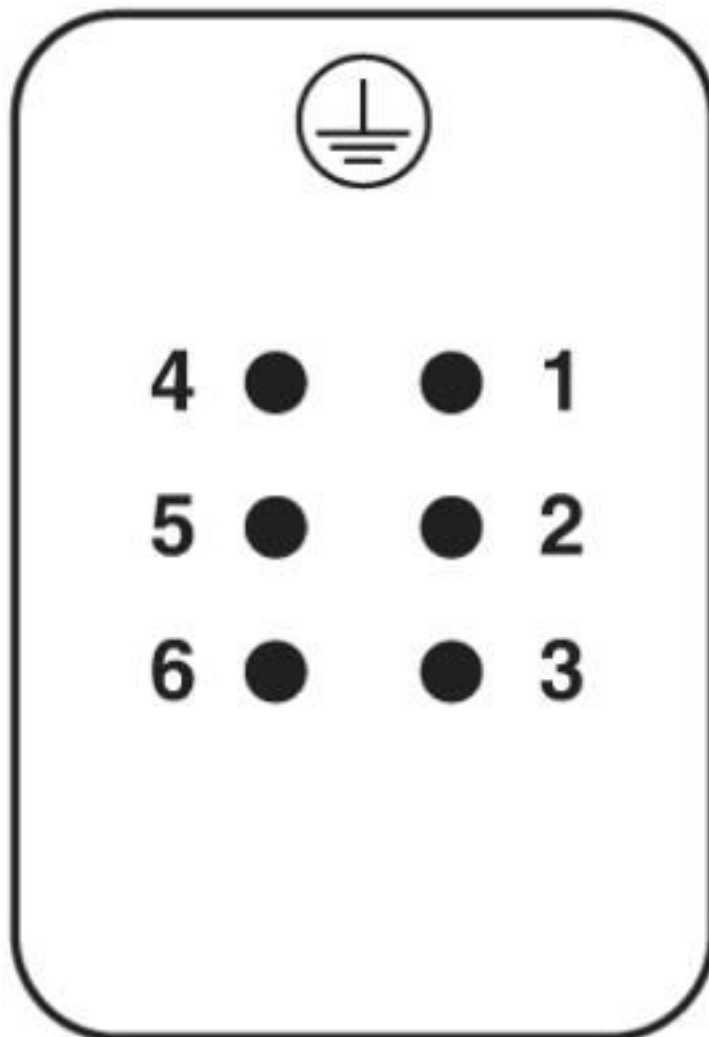
#### Environmental Product Compliance

REACH SVHC	Lead 7439-92-1
------------	----------------

### Drawings

# Connector set - HC-EVO-B06PT-BWSC-HL-M20ELC-AL - 1411487

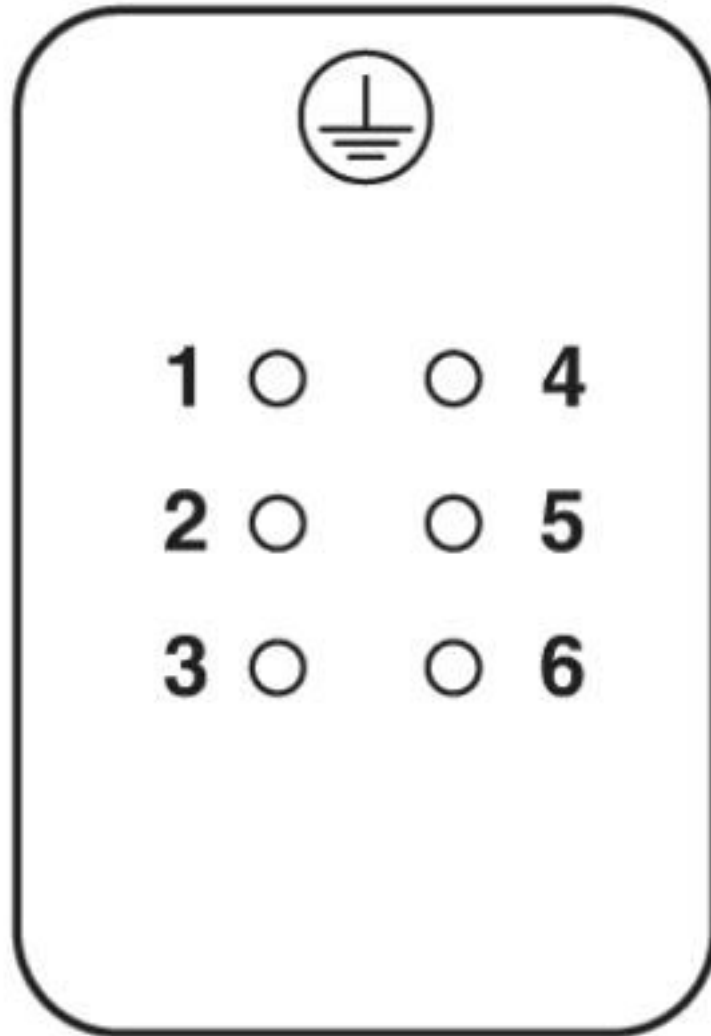
Schematic diagram



Pin assignment, connection side, pin

# Connector set - HC-EVO-B06PT-BWSC-HL-M20ELC-AL - 1411487

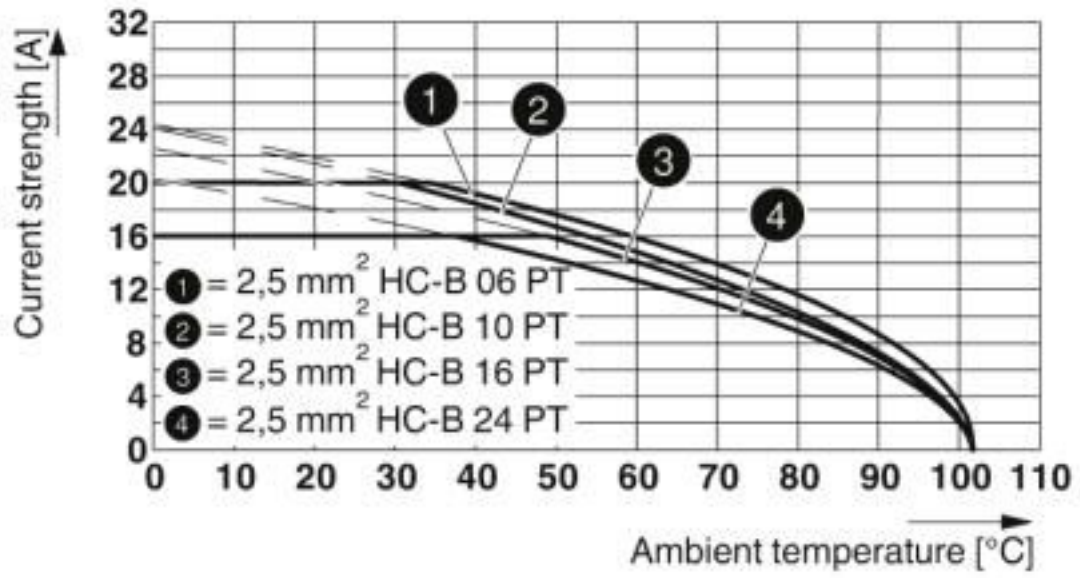
Schematic diagram



Pin assignment, connection side, socket

# Connector set - HC-EVO-B06PT-BWSC-HL-M20ELC-AL - 1411487

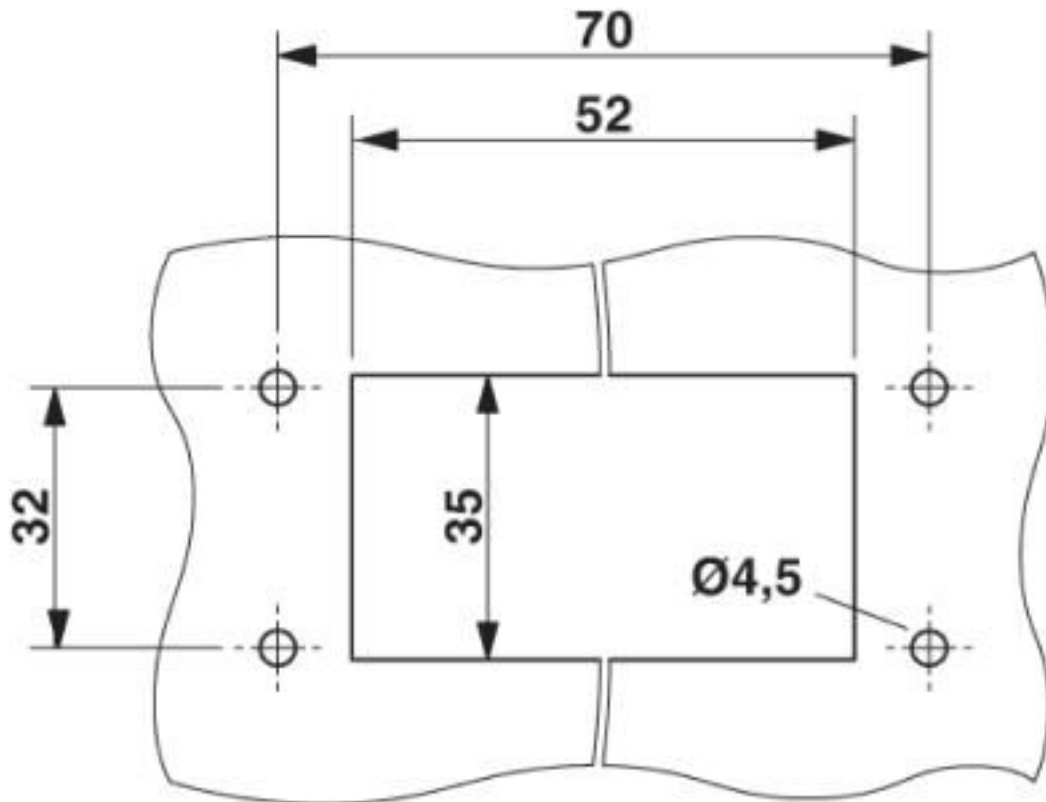
Diagram



Derating diagram

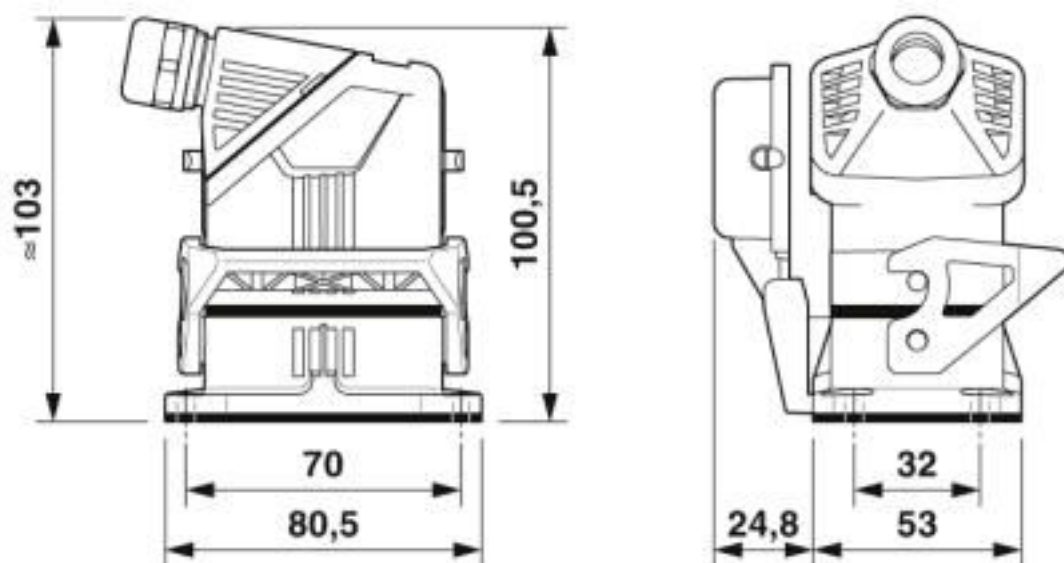
# Connector set - HC-EVO-B06PT-BWSC-HL-M20ELC-AL - 1411487

Dimensional drawing



Mounting cutout

Dimensional drawing



Dimensional drawing

# Connector set - HC-EVO-B06PT-BWSC-HL-M20ELC-AL - 1411487

## Articles in set

Contact insert - HC-B06-I-PT-F - 1407727



HEAVYCON socket insert, B6 series, 6 + PE-pos., push-in connection

Contact insert - HC-B06-I-PT-M - 1407728



HEAVYCON pin insert, B6 series, 6 + PE-pos., push-in connection

Housing - HC-EVO-B06-HLFS-EL-AL - 1411448



HEAVYCON EVO sleeve housing, EMC version, without powder coating, with bayonet flange for EVO screw connection, B6, for single locking latch, height: 64 mm, without EVO screw connection.

Housing - HC-STA-B06-BWSC-ELC-AL - 1411319



HEAVYCON B6 panel mounting base, with single locking latch, with plastic protective cover, with flat gasket, salt-water-resistant aluminum, conductive profile gasket.

Cable gland - HC-B-G-M20-EC-AL - 1411439



EVO EMC cable gland with bayonet locking, B series, size M20, cable diameter: 9 ... 13 mm

## Classifications

eCl@ss

eCl@ss 10.0.1	27440101
eCl@ss 4.0	27260700

# Connector set - HC-EVO-B06PT-BWSC-HL-M20ELC-AL - 1411487

## Classifications

### eCl@ss

eCl@ss 4.1	27260700
eCl@ss 5.0	27260700
eCl@ss 5.1	27260700
eCl@ss 6.0	27260700
eCl@ss 7.0	27440101
eCl@ss 8.0	27440101
eCl@ss 9.0	27440101

### ETIM

ETIM 4.0	EC002641
ETIM 5.0	EC002636
ETIM 6.0	EC002636
ETIM 7.0	EC002636

### UNSPSC

UNSPSC 13.2	39121409
UNSPSC 18.0	39121409
UNSPSC 19.0	39121409
UNSPSC 20.0	39121409
UNSPSC 21.0	39121409

## Approvals

### Approvals

---

### Approvals


EAC / DNV GL / EAC

---

### Ex Approvals

---

### Approval details

EAC		RU C- DE.AI30.B.01102
-----	---	--------------------------

DNV GL		<a href="https://approvalfinder.dnvgl.com/">https://approvalfinder.dnvgl.com/</a>	TAE000037S
--------	---	---	------------



# Connector set - HC-EVO-B06PT-BWSC-HL-M20ELC-AL - 1411487

## Approvals

EAC		RU C- DE.BL08.B.00511
-----	--	--------------------------

## Accessories

### Accessories

#### Device marking

Plastic label - US-EMLP-HA (20X9) - 0830989



Plastic label, Card, white, unlabeled, can be labeled with: BLUEMARK ID COLOR, BLUEMARK ID, THERMOMARK PRIME, THERMOMARK CARD 2.0, THERMOMARK CARD, mounting type: adhesive, lettering field size: 20 x 9 mm, Number of individual labels: 70

## Housing latches

Single locking latch - HC-B06-SL-PLBK - 1407697



Replacement single locking latch for HEAVYCON EVO housing type B6, PA

## Protective cover

Protective covers - HC-B06-BC-HI-PLBK - 1407692



HEAVYCON EVO hinged protective cover, size B6, for EVO plastic supporting base element, IP65, PA

## Seal

Flat gasket - HC-B06-SG-RBK - 1407702



Replacement flat gasket, for HEAVYCON EVO panel mounting base type B6

## Connector set - HC-EVO-B06PT-BWSC-HL-M20ELC-AL - 1411487

### Accessories

Profile gasket - HC-B06-SP-RBK - 1407706



Profile gasket for HEAVYCON EVO supporting base element type B6

---

Phoenix Contact 2020 © - all rights reserved  
<http://www.phoenixcontact.com>

PHOENIX CONTACT GmbH & Co. KG  
Flachsmarktstr. 8  
32825 Blomberg  
Germany  
Tel. +49 5235 300  
Fax +49 5235 3 41200  
<http://www.phoenixcontact.com>

## X-ON Electronics

Largest Supplier of Electrical and Electronic Components

*Click to view similar products for [Heavy Duty Power Connectors](#) category:*

*Click to view products by [Phoenix Contact](#) manufacturer:*

Other Similar products are found below :

[647757-1](#) [6643411-1](#) [6646058-2](#) [6646137-1](#) [6646138-1](#) [6646479-1](#) [6646608-1](#) [6646786-1](#) [6646940-1](#) [6651091-1](#) [6651525-1](#) [6651529-1](#)  
[6651788-1](#) [696475-1](#) [702-32-01109](#) [703-25-02205](#) [73000005059](#) [73000005642](#) [765-15-0080A](#) [765-16-0080B](#) [765-18-0080D](#) [829992-1](#)  
[902-77-02113](#) [PS00/A0620/6300](#) [129-1J](#) [1409400](#) [AN0024023](#) [E6374G1](#) [e6389g2](#) [157-43GW8](#) [MS3117-14AC](#) [1643543-1](#) [1650540-1](#)  
[1651811-2](#) [1766260-1](#) [1766282-1](#) [1766966-1](#) [1791340000](#) [NLDFT-3-BL-L-S120-M40A](#) [NLDFT-N-W-L-C240-M40B](#) [NLS-2-R-C240-](#)  
[M40B](#) [NLS-N-W-C240-M40B](#) [NPS-3-BL-T6](#) [1986615-1](#) [2-1589900-8](#) [2199314-1](#) [KA8102](#) [9300480317](#) [SBS50BRN#6](#) [29131](#)