

Connector set - HC-EVO-B16PT-BWD-HH-M25ELC-AL - 1411489

Please be informed that the data shown in this PDF Document is generated from our Online Catalog. Please find the complete data in the user's documentation. Our General Terms of Use for Downloads are valid (<http://phoenixcontact.com/download>)




EVO connector set, B16 series, metal housing, consisting of: sleeve housing 1411460, panel mounting base 1411327, EVO screw connection 1411446, pin contact insert 1407732, socket contact insert 1407731



COMPLIES WITH

Key Commercial Data

Packing unit	1 pc
GTIN	 4 046356 932899
GTIN	4046356932899
Weight per Piece (excluding packing)	0.623 kg
Custom tariff number	85366990
Country of origin	Germany

Technical data

General

Number of positions	16+PE
Type	B16
Connection method	Push-in connection
Cable outlet	straight
	lateral
Degree of protection for housing	IP66
	IP67
	4 (UL 50e)
	4X (UL 50e)
	12 (UL 50e)
Connection method	Push-in connection
Rated voltage (III/3)	500 V
Rated surge voltage	6 kV
Rated current	16 A

Connector set - HC-EVO-B16PT-BWD-HH-M25ELC-AL - 1411489

Technical data

General

Conductor cross section	0.14 mm ² ... 2.5 mm ² (with ferrule)
Connection cross section AWG	26 ... 14
External cable diameter	11 mm ... 16 mm
Ambient temperature (operation)	-40 °C ... 100 °C
Length of the assembly cutout	86 mm
Width of the assembly cutout	35 mm
Housing material	Die-cast aluminum, corrosion resistant
Contact carrier material	PA
Locking latch material	PA
Integrated protective cover	no

Standards and Regulations

Flammability rating according to UL 94	V0
--	----

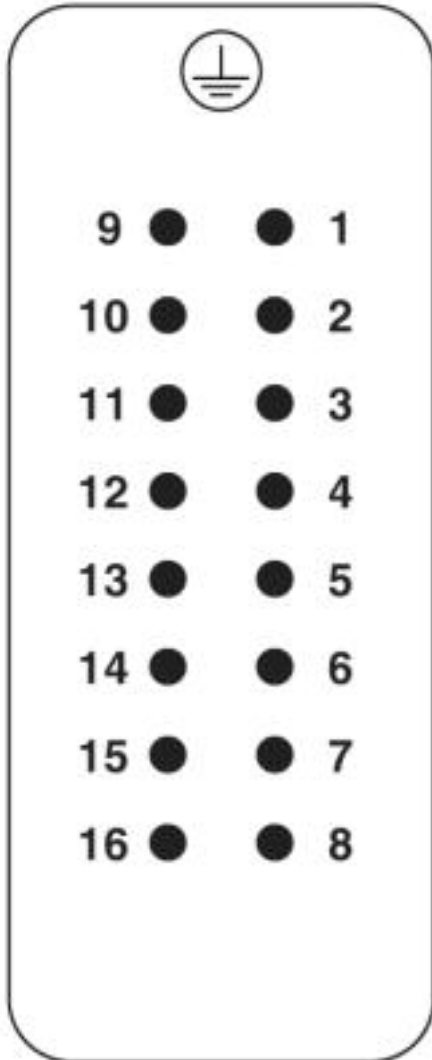
Environmental Product Compliance

	Lead 7439-92-1
--	----------------

Drawings

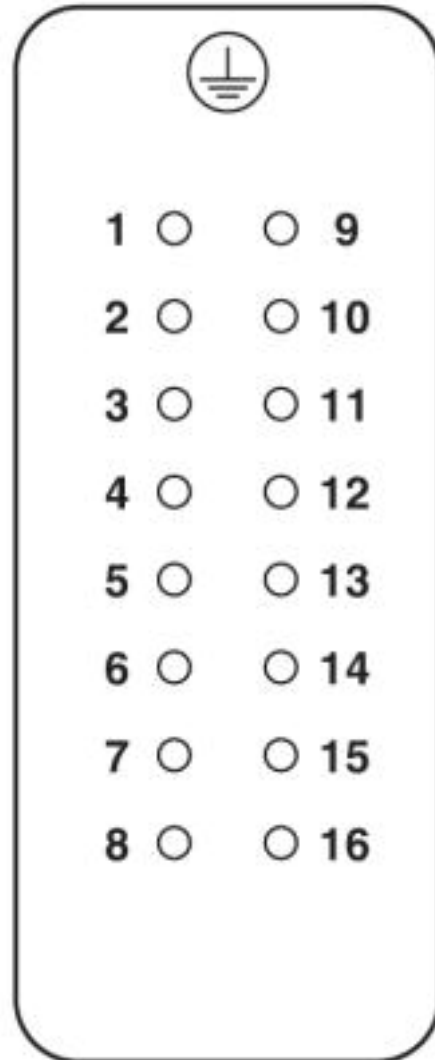
Connector set - HC-EVO-B16PT-BWD-HH-M25ELC-AL - 1411489

Schematic diagram



Pin assignment, connection side, pin

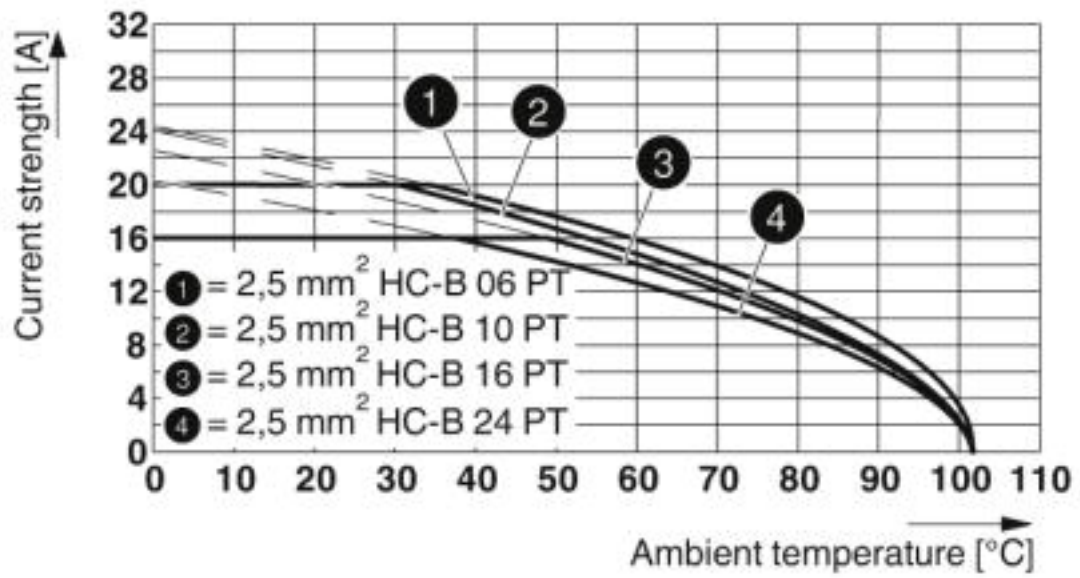
Schematic diagram



Pin assignment, connection side, socket

Connector set - HC-EVO-B16PT-BWD-HH-M25ELC-AL - 1411489

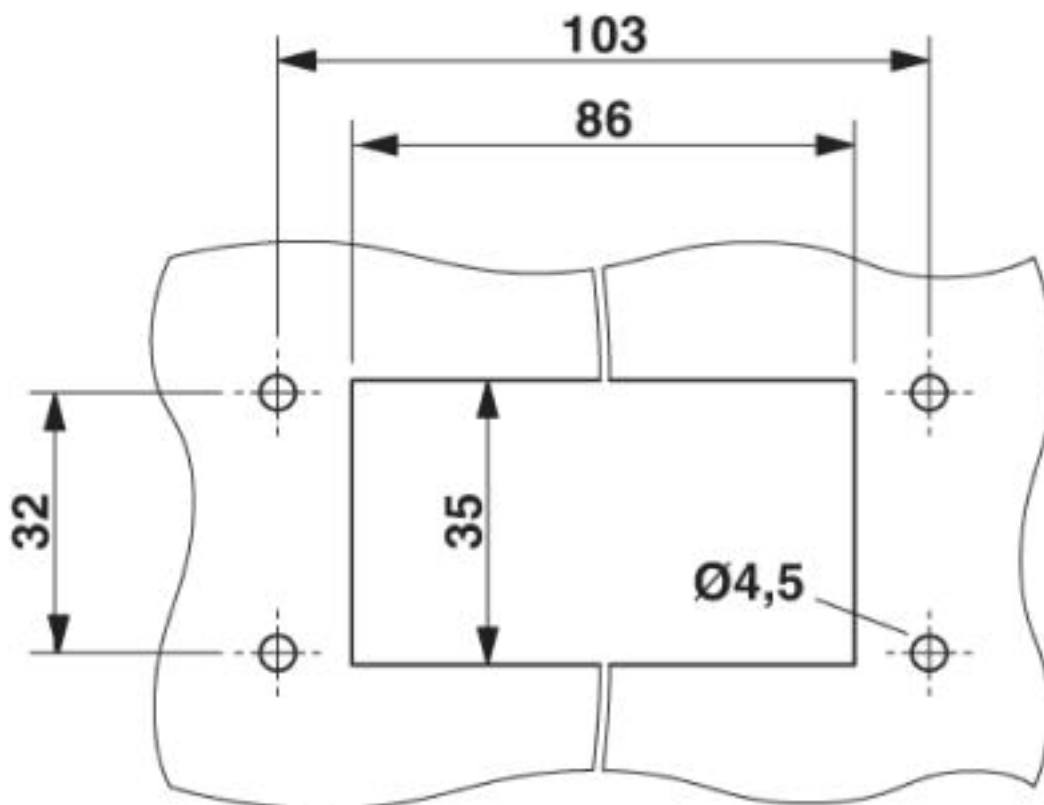
Diagram



Derating diagram

Connector set - HC-EVO-B16PT-BWD-HH-M25ELC-AL - 1411489

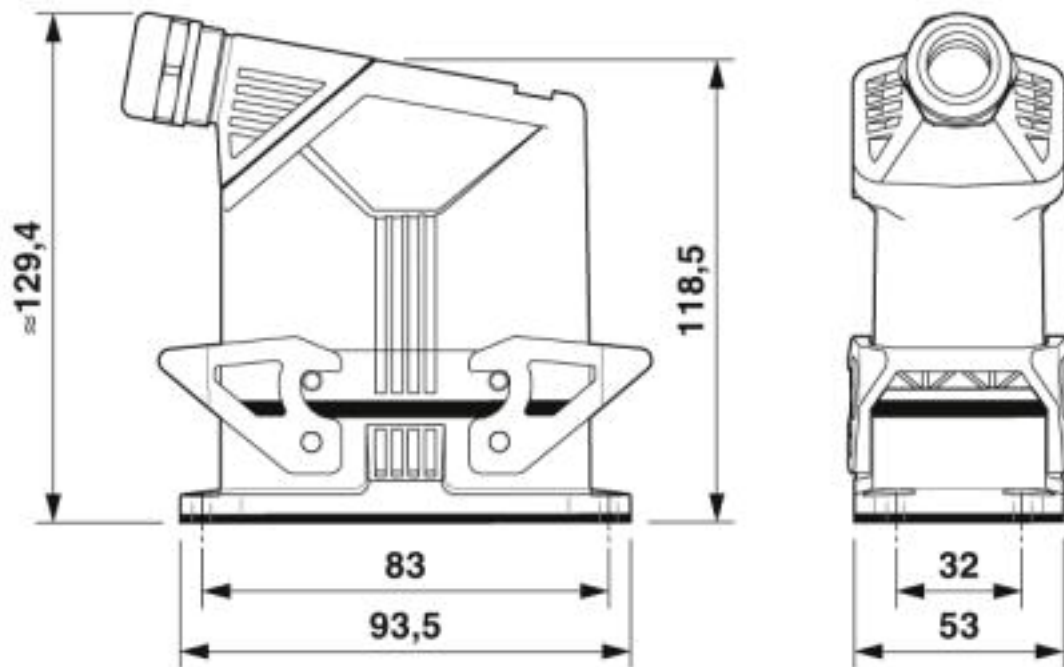
Dimensional drawing



Mounting cutout

Connector set - HC-EVO-B16PT-BWD-HH-M25ELC-AL - 1411489

Dimensional drawing



Dimensional drawing

Articles in set

Contact insert - HC-B16-I-PT-F - 1407731



HEAVYCON socket insert, B16 series, 16 + PE-pos., push-in connection

Contact insert - HC-B16-I-PT-M - 1407732



HEAVYCON pin insert, B16 series, 16 + PE-pos., push-in connection

Cable gland - HC-B-G-M25-EC-AL - 1411446



EVO EMC cable gland with bayonet locking, B series, size M25, cable diameter: 11 - 16 mm

Connector set - HC-EVO-B16PT-BWD-HH-M25ELC-AL - 1411489

Articles in set

Housing - HC-STA-B16-BWD-ELC-AL - 1411327



HEAVYCON B16 panel mounting base, with double locking latch, with flat gasket, salt-water-resistant aluminum, conductive profile gasket

Housing - HC-EVO-B16-HHFD-EL-AL - 1411460



HEAVYCON EVO sleeve housing, EMC version, without powder coating, with bayonet flange for EVO screw connection, B16, for double locking latch, height: 88 mm, without EVO screw connection.

Classifications

eCl@ss

eCl@ss 4.0	27260700
eCl@ss 4.1	27260700
eCl@ss 5.0	27260700
eCl@ss 5.1	27260700
eCl@ss 6.0	27260700
eCl@ss 7.0	27440101
eCl@ss 8.0	27440101
eCl@ss 9.0	27440101

ETIM

ETIM 4.0	EC002641
ETIM 5.0	EC002636
ETIM 6.0	EC002636
ETIM 7.0	EC002636

UNSPSC

UNSPSC 13.2	39121409
-------------	----------

Approvals

Approvals

Approvals

EAC / DNV GL

Connector set - HC-EVO-B16PT-BWD-HH-M25ELC-AL - 1411489

Approvals

Ex Approvals

Approval details

EAC		RU C- DE.AI30.B.01102
-----	--	--------------------------

DNV GL		https://approvalfinder.dnvgl.com/	TAE000037S
--------	--	---	------------

Accessories

Accessories

Device marking

Plastic label - US-EMLP-HA (20X9) - 0830989



Plastic label, Card, white, unlabeled, can be labeled with: BLUEMARK ID COLOR, BLUEMARK ID, THERMOMARK PRIME, THERMOMARK CARD 2.0, THERMOMARK CARD, mounting type: adhesive, lettering field size: 20 x 9 mm

Housing latches

Double locking latch - HC-B10-24-DL-PLBK - 1407696



Replacement double locking latch for HEAVYCON EVO housing, HC-B10/HC-B16/HC-B24, PA

X-ON Electronics

Largest Supplier of Electrical and Electronic Components

Click to view similar products for [Heavy Duty Power Connectors](#) category:

Click to view products by [Phoenix Contact](#) manufacturer:

Other Similar products are found below :

[1424439](#) [1424438](#) [09330062652](#) [2-8675P1](#) [605601-1](#) [6340G1](#) [6341G1](#) [6360G1](#) [6373G1](#) [6374g2](#) [6396G1](#) [647757-1](#) [66394-4](#) [6643411-1](#)
[6646058-2](#) [6646137-1](#) [6646138-1](#) [6646348-1](#) [6646479-1](#) [6646608-1](#) [6646786-1](#) [6646940-1](#) [6651091-1](#) [6651525-1](#) [6651529-1](#) [6651778-1](#)
[6651788-1](#) [696465-1](#) [696475-1](#) [73000005059](#) [73000005349](#) [73000005642](#) [73080255059](#) [73080965046](#) [765-15-0080A](#) [765-16-0080B](#)
[789.700-44](#) [789.700-54](#) [80-1010](#) [80-9](#) [827381-1](#) [829992-1](#) [902-77-02113](#) [PL00U-301-10D10](#) [PM103MOOLOO](#) [PM16S1620S32-50](#)
[PM212MOOLOO](#) [PM309FOOLOO](#) [PM324FOOLCH](#) [PMHPAF11S03](#)